

PLEASE CHECK WWW.MOLEX.COM FOR LATEST PART INFORMATION

Part Number: [5033950410](#)
Status: **Active**
Description: 1.50mm (.059") Pitch CLIK-Mate™ Wire-to-Board PCB Receptacle, Single Row, SMT, Bottom Entry, 4 Circuits

Documents:

[3D Model](#) [Product Specification PS-503395-001 \(PDF\)](#)
[Drawing \(PDF\)](#) [RoHS Certificate of Compliance \(PDF\)](#)

General

Product Family	PCB Receptacles
Series	503395
Application	Wire-to-Board
Product Name	CLIK-Mate™

Physical

Circuits (Loaded)	4
Color - Resin	Beige
Durability (mating cycles max)	30
Glow-Wire Compliant	No
Guide to Mating Part	Yes
Keying to Mating Part	Yes
Lock to Mating Part	Yes
Material - Metal	Copper Alloy
Material - Plating Mating	Tin
Material - Plating Termination	Tin
Number of Rows	1
Orientation	Bottom Entry
PCB Retention	Yes
Packaging Type	Tray
Pitch - Mating Interface (in)	0.059 In
Pitch - Mating Interface (mm)	1.50 mm
Polarized to Mating Part	Yes
Polarized to PCB	Yes
Temperature Range - Operating	-25°C to +85°C
Termination Interface: Style	Surface Mount

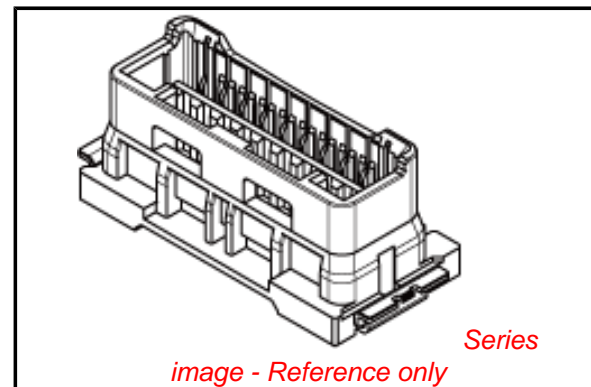
Electrical

Current - Maximum per Contact	2A
Voltage - Maximum	100V

Material Info

Reference - Drawing Numbers

Application Specification	AS-503395-001
Packaging Specification	SPK-503395-001
Product Specification	PS-503395-001
Sales Drawing	SD-503395-001, SD-503395-002



EU RoHS

ELV and RoHS Compliant
REACH SVHC Contains SVHC: No
Halogen-Free
Status
Not Reviewed

China RoHS



Need more information on product environmental compliance?

Email productcompliance@molex.com
 For a multiple part number RoHS Certificate of Compliance, [click here](#)

Please visit the [Contact Us](#) section for any non-product compliance questions.

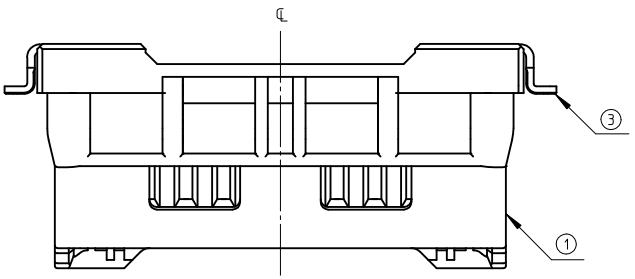
Search Parts in this Series

[503395Series](#)

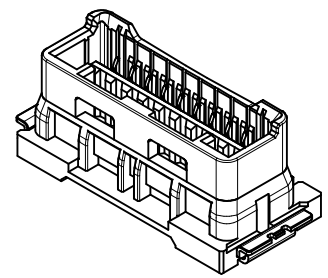
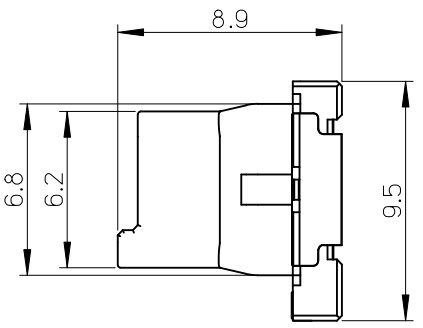
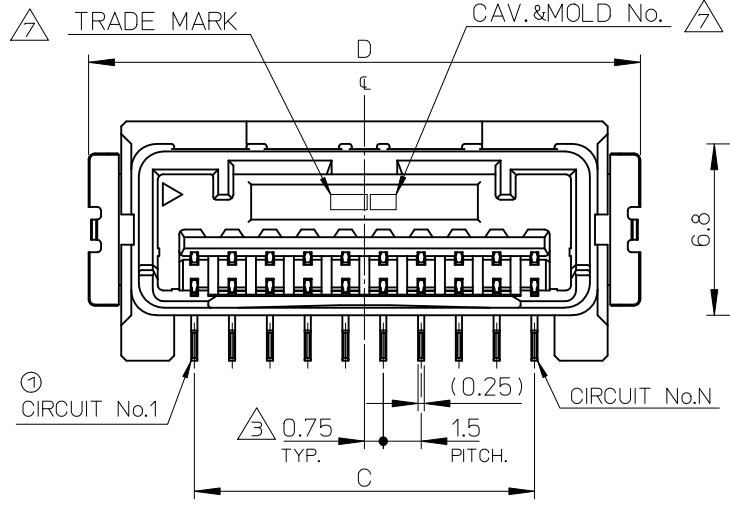
Mates With

[502578](#) Crimp Housing . [502579](#) Crimp Terminal

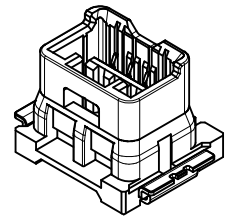
10 9 8 7 6 5 4 3 2 1



No.	PART	MATERIAL
①	HOUSING	46ナイロン(PA46). UL94V-0. 色:注記 △参照 46NYLON(PA46), UL94V-0, COLOR: REFER TO NOTES △.
②	TERMINAL	銅合金 COPPER ALLOY
		錫メッキ: 1.0μm 以上 TIN: 1.0 MICROMETER MINIMUM. ニッケルメッキ(下地): 1.0μm 以上 NICKEL (UNDER PLATING): 1.0 MICROMETER MINIMUM.
③	NAIL	黄銅 BRASS
		錫メッキ: 1.0μm 以上 TIN: 1.0 MICROMETER MINIMUM. ニッケルメッキ(下地): 1.0μm 以上 NICKEL (UNDER PLATING): 1.0 MICROMETER MINIMUM.

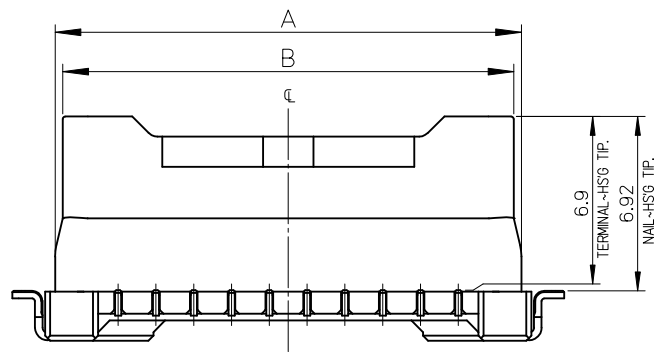


アイソメ図 7~10CKT

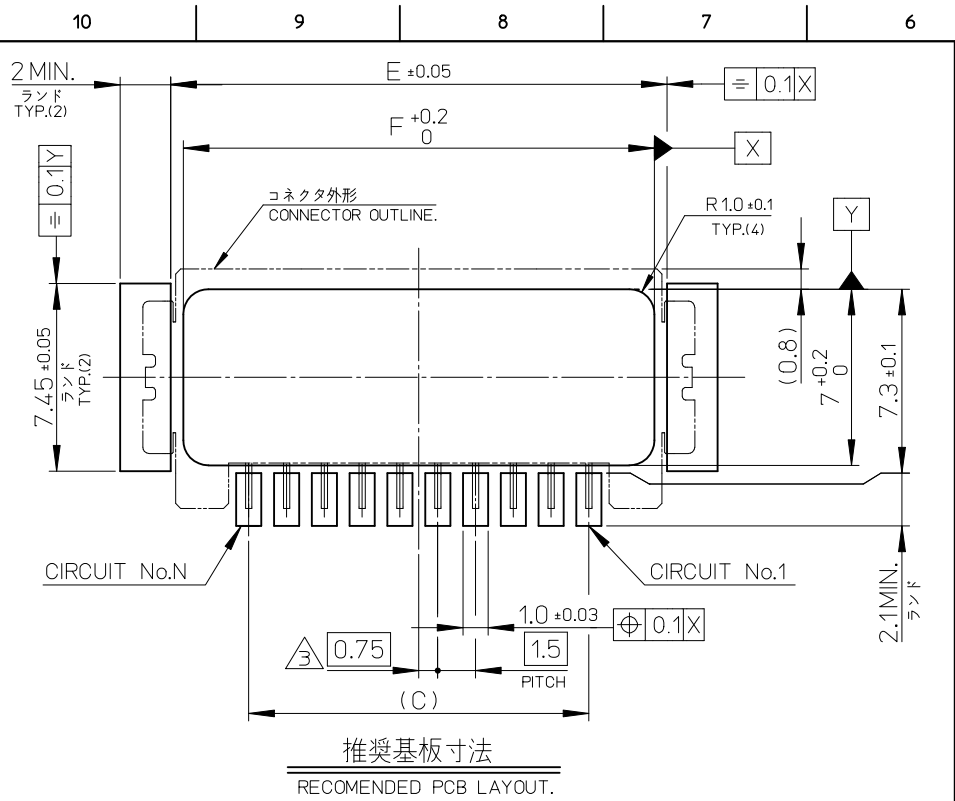


アイソメ図 3~4CKT

18.7	19.3	21.9	13.5	17.9	18.5	503395 - 101*	503395 - 100*	10
15.7	16.3	18.9	10.5	14.9	15.5	503395 - 081*	503395 - 080*	8
14.2	14.8	17.4	9	13.4	14	503395 - 071*	503395 - 070*	7
12.7	13.3	15.9	7.5	11.9	12.5	503395 - 061*	503395 - 060*	6
9.7	10.3	12.9	4.5	8.9	9.5	503395 - 041*	503395 - 040*	4
8.2	8.8	11.4	3	7.4	8	503395 - 031*	503395 - 030*	3
F	E	D	C	B	A	EMBOSSED TAPE		△ MATERIAL No. CIRCUIT
						ORDER No.		



REVISED EC NO: J2010-1373 DRWN:K.FUKUI 2010/01/06 CHKD:SA.SATO 2010/01/06 APPR:NUK.ITA 2010/01/07	GENERAL TOLERANCES (UNLESS SPECIFIED)		DIMENSION STYLE MM ONLY		SCALE 5:1	DESIGN UNITS METRIC	THIRD ANGLE PROJECTION	
	10 UNDER	±0.2	DRAWN BY N.NISHI	DATE 2008/09/24	TITLE 1.5 W/B CONN. SINGLE SMT BOTTOM ENTRY REC. ASSY			
	10 OVER 30 UNDER	±0.25	CHECKED BY S.MARUYAMA	DATE 2008/09/24	MOLEX INCORPORATED			
	30 OVER	±0.3	APPROVED BY S.ICHIKAWA	DATE 2008/09/24	DOCUMENT NO. SD-503395-001		SHEET NO. 1 OF 2	
REV	DESCRIPTION	ANGULAR ±1 °	MATERIAL NO. SEE CHART		THIS DRAWING CONTAINS INFORMATION THAT IS PROPRIETARY TO MOLEX INCORPORATED AND SHOULD NOT BE USED WITHOUT WRITTEN PERMISSION			
DRAFT WHERE APPLICABLE MUST REMAIN WITHIN DIMENSIONS								



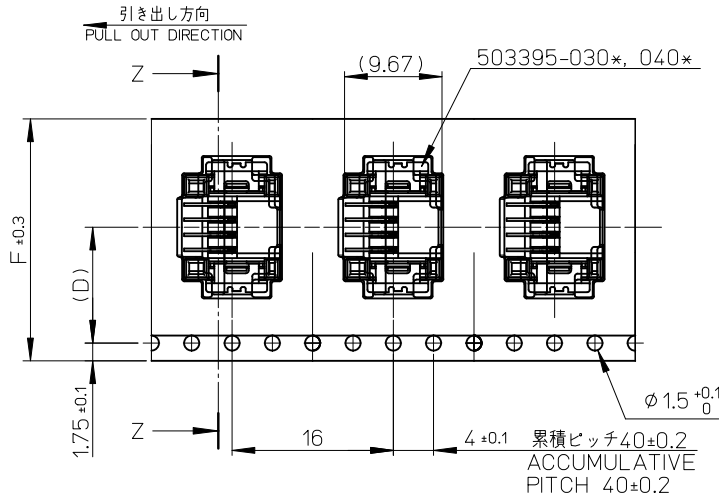
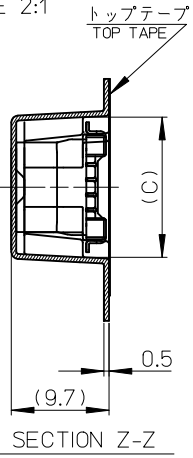
- NOTE**
1. 嵌合相手 : 502578-****
MATE WITH : 502578-****
 2. 端子テール部及びネイルの平坦度 : 0.1mm MAX.
TAIL AND NAIL COPLANARITY TO BE 0.1 MAX.
 3. (極数) = 偶数に適用
APPLY FOR (CIRCUIT SIZE) = EVEN.
 4. 端子テール部及びネイルに錫メッキを使用している為、
外観に摺動痕が付く場合があります。
 5. 製品番号
MATERIAL No. 503395 - **0*
- | No. | COLOR |
|-----|------------|
| 0 | ベージュ BEIGE |
| 1 | 黒 BLACK |
| 2 | 赤 RED |
| 4 | 青 BLUE |
| 6 | 緑 GREEN |
6. 本製品のプラスチック部に黒点・白点等が確認される場合や色合いが異なる場合がありますが、製品性能に影響はありません。
THERE IS NO INFLUENCE IN THE PRODUCT PERFORMANCE THOUGH THE BLACK AND WHITE SPOT ETC. MIGHT BE CONFIRMED TO THE PLASTIC PART OF THIS PRODUCT AND THE SHADE MIGHT BE DIFFERENT.
 7. トレードマーク : MX プラス 1文字の製造工場を示すアルファベットにて表示。
但し "J" は JAPAN を示す。(例 MXJ)
キャビティ番号 : 1桁から2桁の数字にて表示。
金型番号 : アルファベット 1文字にて表示。
FORMED BY MX AND 1 MORE LETTER OF ALPHABET WHICH MEAN THE MANUFACTORY.
BUT "J" MEANS JAPAN. (TO TRADE MARK) (e.g. MXJ)
AND BY 1 - 2 DIGIT NUMBER (TO CAVITY No.)
AND BY 1 LETTER OF ALPHABET (TO MOLD No.)
 8. 推奨メタルマスク RECOMMENDED METAL MASK SPECIFIKATION.
マスク厚 : 0.15mm MASK THICKNESS : 0.15mm
尚、貴社にて上記以外でご使用頂く場合、事前にご確認頂きますようお願い致します。
WICH USE IT OTHER THAN THE ABOVE IN YOUR COMPANY.
PLEASE CONFIRM IT BEFOREHAND.
 9. ELV 及び RoHS 適合品
ELV AND RoHS COMPLIANT
 10. 色物製品についてはリフロー条件及び御使用基板との合性によっては色落ちする場合がありますので、事前にご確認下さい。
AS CONCERNS COLOR PRODUCT, THE CONNECTOR MIGHT FADE BECAUSE OF REFLOW CONDITION OR COMPATIBILITY WITH USING PCB. PLEASE CHECK IT BEFORE USE.

緑 GREEN	青 BLUE	赤 RED	黒 BLACK	ベージュ BEIGE	色 COLOR
503395-1006	503395-1004	503395-1002	503395-1001	503395-1000	10
503395-0806	503395-0804	503395-0802	503395-0801	503395-0800	8
503395-0706	503395-0704	503395-0702	503395-0701	503395-0700	7
503395-0606	503395-0604	503395-0602	503395-0601	503395-0600	6
503395-0406	503395-0404	503395-0402	503395-0401	503395-0400	4
503395-0306	503395-0304	503395-0302	503395-0301	503395-0300	3
MATERIAL NO.	MATERIAL NO.	MATERIAL NO.	MATERIAL NO.	MATERIAL NO.	CKT.
					MODEL NO.

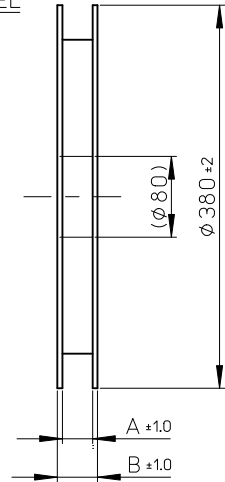
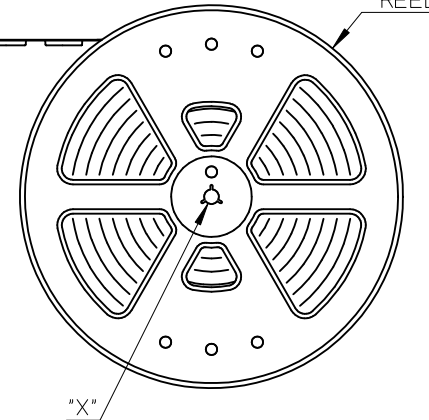
REVISED EC NO. J2010-1373 DRWN:K.FUKUI 2010/01/06 CHKD:SA.SATO 2010/01/06 APPR:NUKITA 2010/01/07	GENERAL TOLERANCES (UNLESS SPECIFIED)		DIMENSION STYLE MM ONLY		SCALE 5:1	DESIGN UNITS METRIC	THIRD ANGLE PROJECTION
	10 UNDER	±0.2	DRAWN BY N.NISHI	DATE 2008/09/24	TITLE 1.5 W/B CONN. SINGLE SMT BOTTOM ENTRY REC. ASSY		
	10 OVER 30 UNDER	±0.25	CHECKED BY S.MARUYAMA	DATE 2008/09/24	MOLEX INCORPORATED		
	30 OVER	±0.3	APPROVED BY S.ICHIKAWA	DATE 2008/09/24	MATERIAL NO. SEE SHEET1	DOCUMENT NO. SD-503395-001	SHEET NO. 2 OF 2
	ANGULAR ±1 °	DRAFT WHERE APPLICABLE MUST REMAIN WITHIN DIMENSIONS		THIS DRAWING CONTAINS INFORMATION THAT IS PROPRIETARY TO MOLEX INCORPORATED AND SHOULD NOT BE USED WITHOUT WRITTEN PERMISSION			

24mm幅エンボステープ

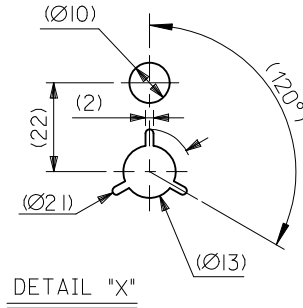
SCALE 2:1



引き出し方向
PULL OUT DIRECTION



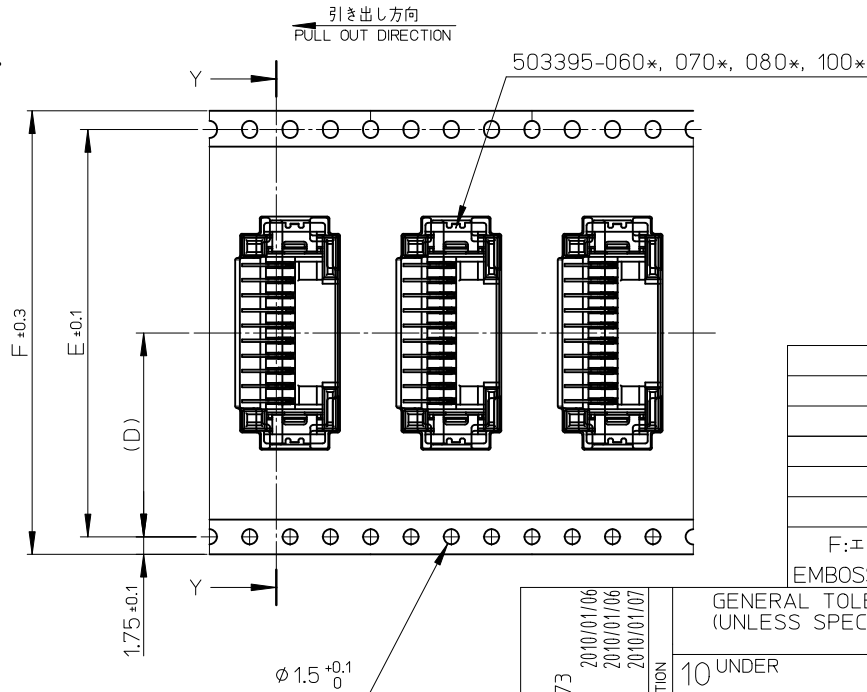
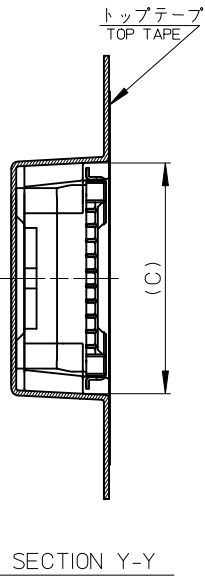
"X"



DETAIL "X"

32, 44mm幅エンボステープ

SCALE 2:1

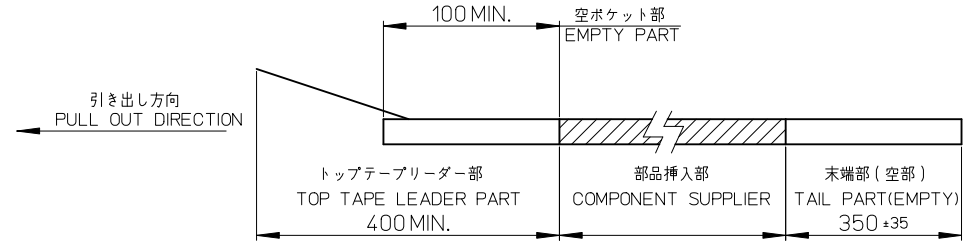


44	40.4	20.2	22.9	49.4	45.4	503395-101*	10	
32	28.4	14.2	19.9	37.4	33.4	503395-081*	8	
32	28.4	14.2	18.4	37.4	33.4	503395-071*	7	
32	28.4	14.2	16.9	37.4	33.4	503395-061*	6	
24	---	11.5	13.9	29.4	25.4	503395-041*	4	
24	---	11.5	12.4	29.4	25.4	503395-031*	3	
F:エンボステープ幅 EMBOSS TAPE WIDTH							E	(D)
							(C)	B
							A	
							MATERIAL No.	
							MODEL No.	503395-**x1*
							CKT.	

REVISED EC NO: J2010-1373 DRWN:K.FUKUI CHKD:SA.SATO APPR:NIKIITA	2010/01/06	2010/01/06	2010/01/07	GENERAL TOLERANCES (UNLESS SPECIFIED)	DIMENSION STYLE MM ONLY		SCALE 2:1	DESIGN UNITS METRIC	THIRD ANGLE PROJECTION	
	DESCRIPTION	10 UNDER	± 0.2		DRAWN BY T.KAKIMOTO	DATE 2008/11/05	TITLE 1.5 W/B CONN. SINGLE SMT BOTTOM ENTRY EMBOSS TAPE PACKAGE	MOLEX INCORPORATED		
		10 OVER 30 UNDER	± 0.25		CHECKED BY S.MARUYAMA	DATE 2008/11/05				
		30 OVER	± 0.3		APPROVED BY S.ICHIKAWA	DATE				
	ANGULAR	± 1 °	DRAFT WHERE APPLICABLE MUST REMAIN WITHIN DIMENSIONS		MATERIAL NO. SEE SHEET 2	DOCUMENT NO. SD-503395-002	SHEET NO. 1 OF 2			
					SIZE A3	THIS DRAWING CONTAINS INFORMATION THAT IS PROPRIETARY TO MOLEX INCORPORATED AND SHOULD NOT BE USED WITHOUT WRITTEN PERMISSION				

NOTES

1. 製品詳細寸法については、製品単体図面 (SD-503395-001) を参照下さい。
RE DETAILED DIMENSION, SEE SALES DRAWING.
2. 梱包数量: 600 個/リール
NUMBER OF CONNECTORS: 600 PCS/REEL.
3. リードテープ長さ
LEAD TAPE LENGTH.



4. 材料 MATERIAL
 キャリアテープ (CARRIER TAPE) : ポリスチレン (POLYSTYRENE)
 トップテープ (TOP TAPE) : PET, PE, PEF
 リール(REEL) : ポリスチレン (PS) <リサイクル材含む>
 POLYSTYRENE (PS)<RECYCLE MATERIAL CONTAINED>

5. ELV 及びRoHS 適合品
ELV AND RoHS COMPLIANT

6. 本製品は乾燥剤入り、ハイバリア梱包仕様である。
THIS PRODUCT IS HIGH BARRIER PACKAGE WITH DESICCANT.

7. 色物製品についてはリフロー条件及び御使用基板との合性によっては色落ちする場合がありますので事前にご確認ください。
AS CONCERNS COLOR PRODUCT, THE CONNECTOR MIGHT FADE BECAUSE OF REFLOW CONDITION OR COMPATIBILITY WITH PCB USING. PLEASE CHECK IT BEFORE USE.

緑 GREEN	青 BLUE	赤 RED	黒 BLACK	ベージュ BEIGE	色 COLOR	
503395-1016	503395-1014	503395-1012	503395-1011	503395-1010	10	503395-**1*
503395-0816	503395-0814	503395-0812	503395-0811	503395-0810	8	
503395-0716	503395-0714	503395-0712	503395-0711	503395-0710	7	
503395-0616	503395-0614	503395-0612	503395-0611	503395-0610	6	
503395-0416	503395-0414	503395-0412	503395-0411	503395-0410	4	
503395-0316	503395-0314	503395-0312	503395-0311	503395-0310	3	
MATERIAL NO.	MATERIAL NO.	MATERIAL NO.	MATERIAL NO.	MATERIAL NO.	CKT.	MODEL NO.

REVISED EC NO: J2010-4373 DRW: NKFUKUI 2010/01/06 CHKD: SA. SATO 2010/01/06 APPR: NUKITA 2010/01/07	GENERAL TOLERANCES (UNLESS SPECIFIED)		DIMENSION STYLE MM ONLY		SCALE 2:1	DESIGN UNITS METRIC	THIRD ANGLE PROJECTION
	10 UNDER	± 0.2	DRAWN BY T. KAKIMOTO	DATE 2008/11/05	TITLE 1.5 W/B CONN. SINGLE SMT BOTTOM ENTRY EMBOSS TAPE PACKAGE MOLEX INCORPORATED		
	10 OVER 30 UNDER	± 0.25	CHECKED BY S. MARUYAMA	DATE 2008/11/05			
	30 OVER	± 0.3	APPROVED BY S. ICHIKAWA	DATE 2008/11/05			
ANGULAR ±1 °		DRAFT WHERE APPLICABLE MUST REMAIN WITHIN DIMENSIONS		MATERIAL NO. SEE CHART		DOCUMENT NO. SD-503395-002	SHEET NO. 2 OF 2
THIS DRAWING CONTAINS INFORMATION THAT IS PROPRIETARY TO MOLEX INCORPORATED AND SHOULD NOT BE USED WITHOUT WRITTEN PERMISSION							