

PLEASE CHECK WWW.MOLEX.COM FOR LATEST PART INFORMATION

Part Number: [0472712016](#)
Status: **Active**
Overview: [displayport](#)
Description: DisplayPort* Latch

Documents:

[Drawing \(PDF\)](#) [RoHS Certificate of Compliance \(PDF\)](#)

General

Product Family	Accessories
Series	47271
Comments	After Cleaning
Component Type	Latch
MolexKits	Yes
Overview	displayport
Product Name	DisplayPort*

Physical

Circuits (Loaded)	N/A
Gender	N/A
Lock to Mating Part	Yes
Material - Metal	Stainless Steel
Packaging Type	Reel
Polarized to Mating Part	N/A
Temperature Range - Operating	-20°C to +85°C

Electrical

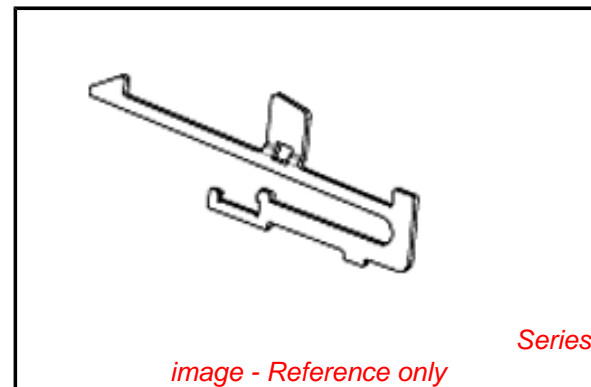
Current - Maximum per Contact	0.5A
-------------------------------	------

Material Info

Reference - Drawing Numbers

Sales Drawing	SD-47271-006
---------------	--------------

DisplayPort* is a Trademark of VESA



EU RoHS

**ELV and RoHS
Compliant**
**REACH SVHC
Contains SVHC: No**
**Halogen-Free
Status**

China RoHS



**Need more information on product
environmental compliance?**

Email productcompliance@molex.com
 For a multiple part number RoHS Certificate of
 Compliance, [click here](#)

Please visit the [Contact Us](#) section for any
 non-product compliance questions.

Search Parts in this Series
[47271Series](#)

10 9 8 7 6 5 4 3 2 1

F

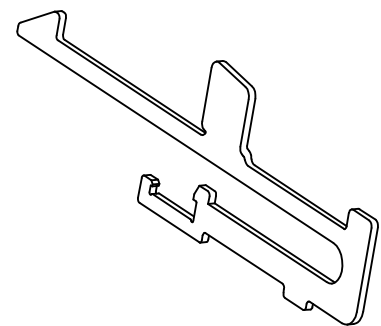
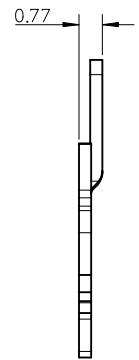
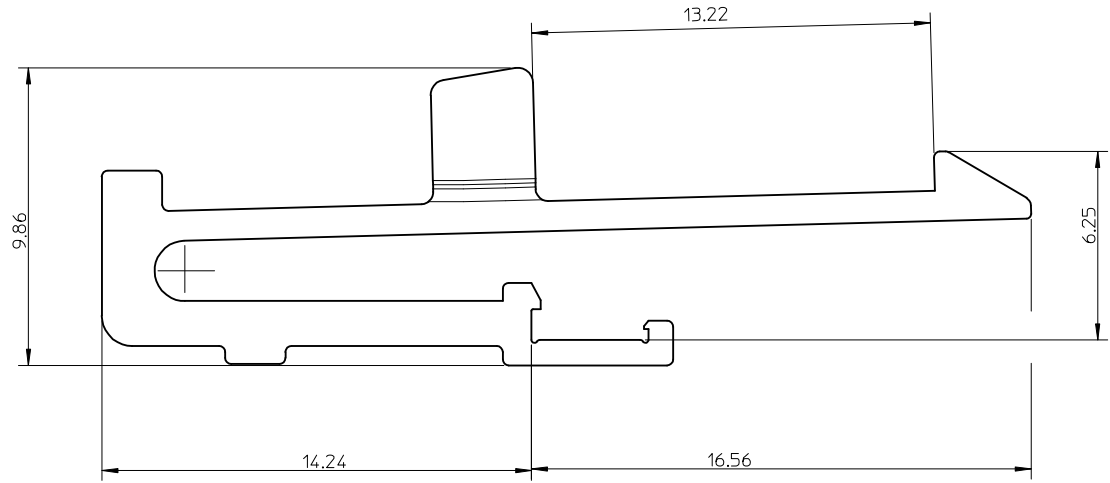
E

D

C

B

A



NOTES:
 1.MATERIAL: STAINLESS STEEL, S301.
 2.ULTRASONIC CLEANING

NEW RELEASE EC NO: SH2009-0333 DRW:HHH CH:KD APPR:HWANG	2008/12/03 2008/12/03 2008/12/18	DESCRIPTION REV	QUALITY SYMBOLS	GENERAL TOLERANCES (UNLESS SPECIFIED) 4 PLACES ± --- ± --- 3 PLACES ± --- ± --- 2 PLACES ± 0.15 ± --- 1 PLACE ± 0.20 ± --- ANGULAR ± 1 ° DRAFT WHERE APPLICABLE MUST REMAIN WITHIN DIMENSIONS	DIMENSION STYLE	SCALE	DESIGN UNITS	THIRD ANGLE PROJECTION	TITLE LATCH FOR DISPLAYPORT MOLEX INCORPORATED DOCUMENT NO. SD-47271-006 SHEET NO. 1 OF 2
			▽=0 ◻=0		MM ONLY	10:1	METRIC	DRAWN BY QWFANG DATE 2006/03/22	
					m.m INCH ± --- ± --- ± 0.15 ± --- ± 0.20 ± ---	CHECKED BY RZHANG DATE 2006/03/22			
					APPROVED BY IWANG DATE 2006/03/22	MATERIAL NO. 47271-1016			

9 8 7 6 5 4 3 2 1

10 9 8 7 6 5 4 3 2 1

F

F

E

E

D

D

C

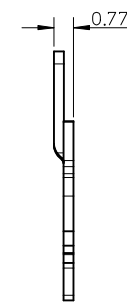
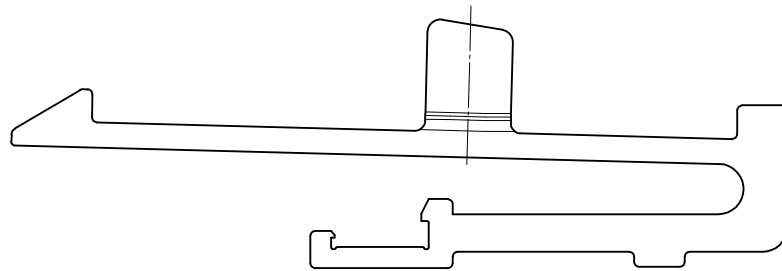
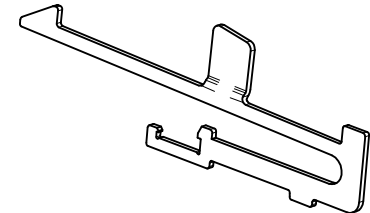
C

B

B

A

A



NOTES:
UNSPECIFIED DIMENSIONS ARE SAME AS SHEET 1.

SEE SHEET1 EC NO: SH2009-0333 DRWN: HHE CHKD: APPR: HWANG 2008/12/03 2008/12/18	DESCRIPTION REV	QUALITY SYMBOLS ▽=0 ◻=0	GENERAL TOLERANCES (UNLESS SPECIFIED)		DIMENSION STYLE MM ONLY		SCALE 5:1	DESIGN UNITS METRIC	THIRD ANGLE PROJECTION		
			4 PLACES ± --- ± --- 3 PLACES ± --- ± --- 2 PLACES ± 0.15 ± --- 1 PLACE ± 0.20 ± ---	mm INCH	DRAWN BY QWFANG	DATE 2006/03/22	TITLE LATCH FOR DISPLAYPORT				
			ANGULAR ± 1 °		CHECKED BY RZHANG	DATE 2006/03/22	MOLEX INCORPORATED				
			DRAFT WHERE APPLICABLE MUST REMAIN WITHIN DIMENSIONS		APPROVED BY IWANG	DATE 2006/03/22	MATERIAL NO. 47271-2016	DOCUMENT NO. SD-47271-006	SHEET NO. 2 OF 2		

9 8 7 6 5 4 3 2 1