

**PLEASE CHECK WWW.MOLEX.COM FOR LATEST PART INFORMATION**

**Part Number:** [0472711011](#)  
**Status:** **Active**  
**Overview:** [displayport](#)  
**Description:** 0.50mm (.020") Pitch DisplayPort\* Plug Sub-assembly, without Latch

**Documents:**

[Drawing \(PDF\)](#) [RoHS Certificate of Compliance \(PDF\)](#)  
[Product Specification PS-47272-001 \(PDF\)](#)

**General**

Product Family	I/O Connectors
Series	<a href="#">47271</a>
Application	Wire-to-Board
Comments	Part meets VESA Proposed Standard, Version 1.1
Component Type	I/O Plug Connector Subassembly
Overview	<a href="#">displayport</a>
Product Name	DisplayPort*
Type	A

**Physical**

Boot Color	N/A
Circuits (Loaded)	20
Circuits (maximum)	20
Color - Resin	Black
Gender	Plug
Keying to Mating Part	N/A
Lock to Mating Part	No
Material - Metal	Brass, High Performance Alloy (HPA)
Material - Plating Mating	Gold
Material - Plating Termination	Tin
Material - Resin	High Temperature Thermoplastic
Number of Rows	2
Orientation	Straight
PC Tail Length (in)	0.000 In
PC Tail Length (mm)	0.00 mm
PCB Locator	No
PCB Retention	N/A
PCB Thickness Recommended (in)	0.000 In
PCB Thickness Recommended (mm)	0.00 mm
Packaging Type	Bag
Panel Mount	N/A
Pitch - Mating Interface (in)	0.039 In
Pitch - Mating Interface (mm)	0.50 mm
Pitch - Term. Interface (in)	0.039 In
Pitch - Term. Interface (mm)	0.50 mm
Plating min: Mating (µin)	32
Plating min: Mating (µm)	0.8
Plating min: Termination (µin)	80
Plating min: Termination (µm)	2
Polarized to Mating Part	Yes
Polarized to PCB	N/A
Ports	1
Surface Mount Compatible (SMC)	Yes
Temperature Range - Operating	-20°C to +85°C
Termination Interface: Style	Surface Mount
Waterproof / Dustproof	No

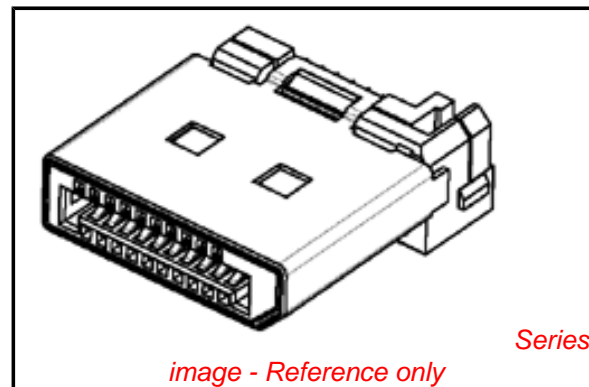


image - Reference only

Series

**EU RoHS**

**ELV and RoHS  
Compliant**  
**REACH SVHC**  
 Not Reviewed  
**Halogen-Free  
Status**

**China RoHS**



**Need more information on product  
environmental compliance?**

Email [productcompliance@molex.com](mailto:productcompliance@molex.com)  
 For a multiple part number RoHS Certificate of Compliance, [click here](#)

Please visit the [Contact Us](#) section for any non-product compliance questions.

**Search Parts in this Series**

[47271Series](#)

**Mates With**

[47272-0001](#)

Wire Size AWG	28, 30
<b>Electrical</b>	
Current - Maximum per Contact	0.5A
Grounding to Panel	N/A
Shield Type	Full Shield
Shielded	Yes
Voltage - Maximum	40V AC

### **Material Info**

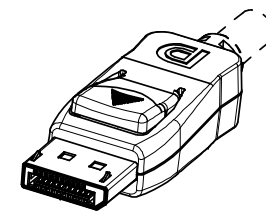
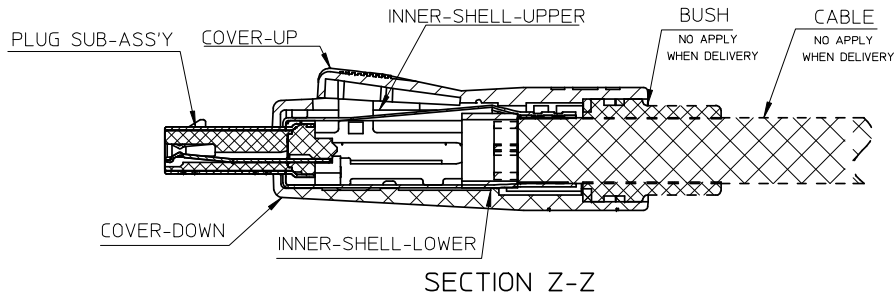
### **Reference - Drawing Numbers**

Packaging Specification	PK-47271-001
Product Specification	PS-47272-001
Sales Drawing	SD-47271-001

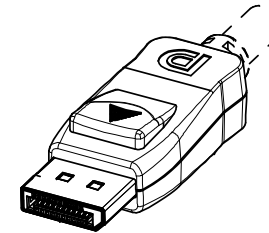
\* DisplayPort is a Trademark of VESA

This document was generated on 05/19/2010

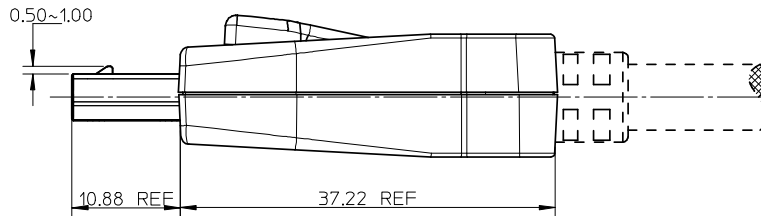
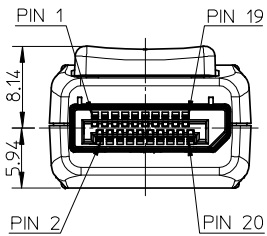
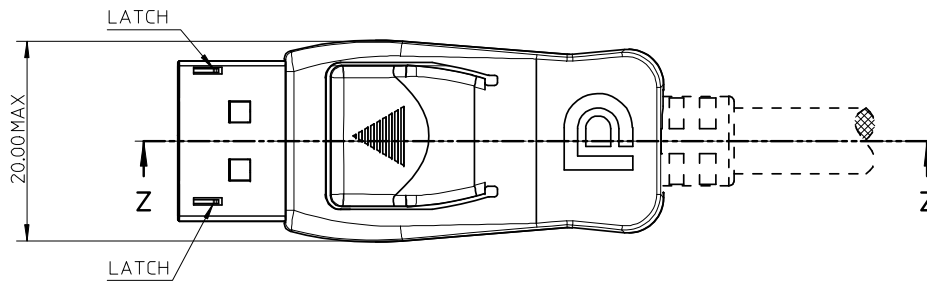
**PLEASE CHECK [WWW.MOLEX.COM](http://WWW.MOLEX.COM) FOR LATEST PART INFORMATION**



WITH LATCHES



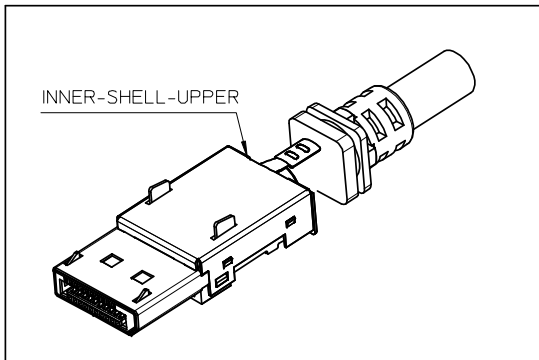
WITHOUT LATCHES



NOTES:

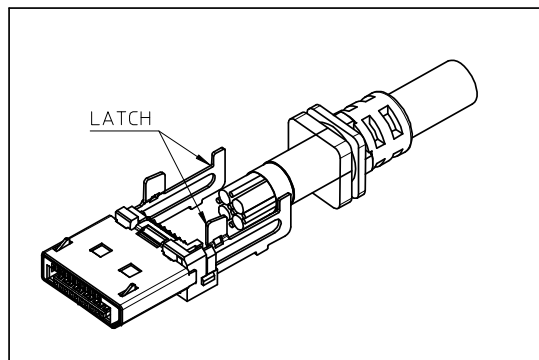
1. CABLE ASSEMBLY DRAWING ONLY FOR CUSTOMER REFERENCE. ALL COMPONENTS WILL BE DELIVERED DISPERSEDLY.
2. THIS PART MEET VESA PROPOSED STANDARD, VERSION1.1.
3. MATES WITH 47272-0001
4. USE WITH CABLE 28&30 AWG
5. MATERIAL :  
HOUSING : HGIH TEMPERATURE THERMAL PLASTIC GLASS FILLED , BLACK, UL94V-0  
TERMINAL: COPPER ALLOY THICKNESS 0.3 MM  
SHIELD CASE : COPPER ALLOY THICKNESS 0.3 MM
6. PLATING :  
TERMINAL:  
CONTACT AREA : GOLD 0.76 MICROMETER MINIMUM.  
UNDER PLATING : NICKEL 1.27 MICROMETER MINIMUM.
7. PRODUCT SPEC: PS-47272-001
8. CONNECTOR DIRECT SOLDER WITH WIRE
9. PRODUCT COMPLANT TO ROHS DIERTIVE 2002/95/EC AND ELV DIRECTIVE 2000/53/EC

NEW RELEASE EC NO: SH2008-0288 DRWN: HHE 2008/04/07 CHKD: RZHANG APPR: HWANG 2008/04/25 REV DESCRIPTION	QUALITY SYMBOLS	GENERAL TOLERANCES (UNLESS SPECIFIED)	DIMENSION STYLE	SCALE	DESIGN UNITS	THIRD ANGLE PROJECTION
	$\nabla=0$ $\text{C}=0$	mm INCH	MM ONLY	2:1	METRIC	
		4 PLACES ± --- ± ---	DRAWN BY DATE	TITLE		
		3 PLACES ± --- ± ---	QWFANG 2006/09/05			
	2 PLACES ± 0.15 ± ---	CHECKED BY DATE	MOLEX INCORPORATED			
	1 PLACE ± 0.15 ± ---	IWANG 2006/09/05				
	ANGULAR ± 1 °	APPROVED BY DATE	DOCUMENT NO.			
		JNCHEN 2006/09/05				
		MATERIAL NO.	SHEET NO.			
		SEE SHEET 3				
		SIZE	THIS DRAWING CONTAINS INFORMATION THAT IS PROPRIETARY TO MOLEX INCORPORATED AND SHOULD NOT BE USED WITHOUT WRITTEN PERMISSION			
		A3				



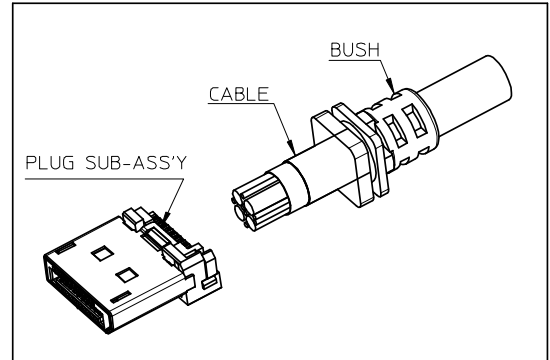
INNER-SHELL-UPPER

ASSEMBLING THE INNER-SHELL-UPPER



LATCH

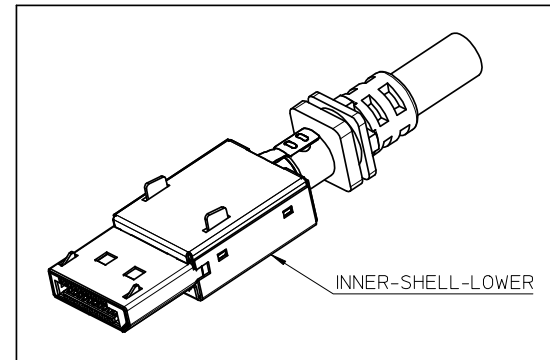
ASSEMBLING THE LATCHES  
(W/O LATCH TYPE NEEDN'T THIS STEP)



BUSH  
CABLE

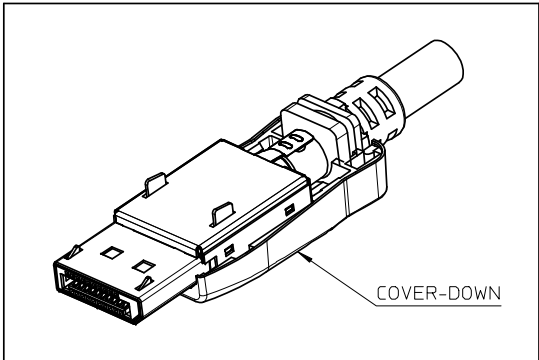
PLUG SUB-ASS'Y

WELDING SUB-ASS'Y AND CABLE



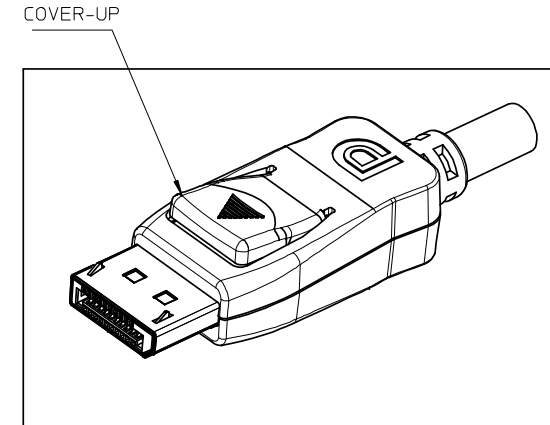
INNER-SHELL-LOWER

ASSEMBLING THE INNER-SHELL-LOWER



COVER-DOWN

ASSEMBLING THE COVER-DOWN



COVER-UP

ASSEMBLING THE COVER-UP

### ASSEMBLY PROCESS

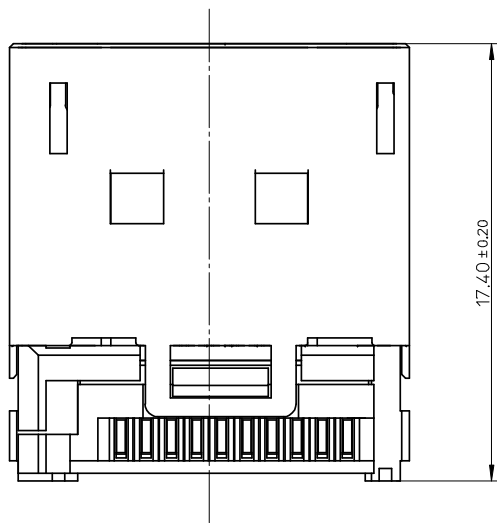
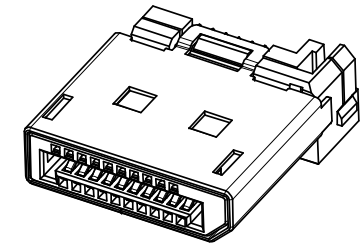
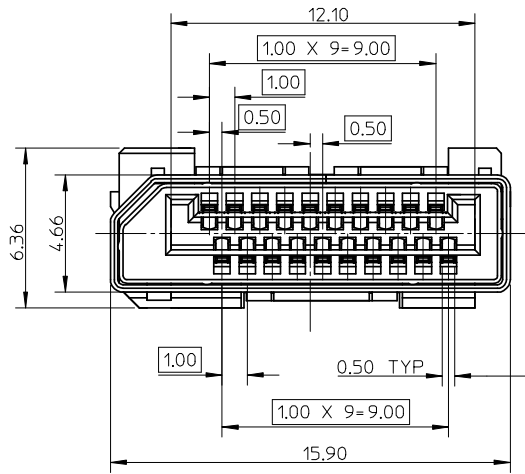
SEE SHEET 1 EC NO: SH2008-0288 DRWN: HHE 2008/04/07 CHKD: RZHANG 2008/04/08 APPR: HWANG 2008/04/25	QUALITY SYMBOLS ▽=0 ◻=0	GENERAL TOLERANCES (UNLESS SPECIFIED) mm    INCH 4 PLACES ± --- ± --- 3 PLACES ± --- ± --- 2 PLACES ± 0.15 ± --- 1 PLACE ± 0.15 ± --- ANGULAR ± 1 °	DIMENSION STYLE MM ONLY DRAWN BY: QWFANG    DATE: 2006/09/05 CHECKED BY: IWANG    DATE: 2006/09/05 APPROVED BY: JNCHEN    DATE: 2006/09/05	SCALE 2:1	DESIGN UNITS METRIC	THIRD ANGLE PROJECTION	
	DRAFT WHERE APPLICABLE MUST REMAIN WITHIN DIMENSIONS			MATERIAL NO. SEE SHEET 3	TITLE PLUG ASS'Y FOR DISPLAYPORT		SHEET NO. 2 OF 5
				MOLEX INCORPORATED	DOCUMENT NO. SD-47271-001		
				THIS DRAWING CONTAINS INFORMATION THAT IS PROPRIETARY TO MOLEX INCORPORATED AND SHOULD NOT BE USED WITHOUT WRITTEN PERMISSION			

COMPONENT	PLUG SUB-ASS'Y	COVER-DOWN	COVER-UP	INNER-SHELL-UPPER	INNER-SHELL-LOWER	LATCH	LATCH	REMARK
COMPONENT P/N	47271-0011	47271-0005	47271-0004	47271-1008	47271-1009	47271-1016	47271-2016	WITH LATCH
	47271-1011	47271-0005	47271-1004	47271-3008	47271-1009	/	/	WITHOUT LATCH
	DETAIL SEE SD-47271-001	DETAIL SEE SD-47271-005	DETAIL SEE SD-47271-004	DETAIL SEE SD-47271-008	DETAIL SEE SD-47271-009	DETAIL SEE SD-47271-006		

NOTES:  
ALL COMPONENTS QUANTITY ARE 1.

SEE SHEET 1 EC NO: SH2008-0288 DRWN: HHE 2008/04/07 CHKD: RZHANG 2008/04/08 APPR: HWANG 2008/04/25	QUALITY SYMBOLS	GENERAL TOLERANCES (UNLESS SPECIFIED)		DIMENSION STYLE MM ONLY		SCALE 5:1	DESIGN UNITS METRIC	THIRD ANGLE PROJECTION	
	▽=0	4 PLACES	mm	INCH	DRAWN BY	DATE	TITLE		
	∇=0	3 PLACES	± ---	± ---	QWFANG	2006/09/05	PLUG ASS'Y FOR DISPLAYPORT		
		2 PLACES	± 0.15	± ---	CHECKED BY	DATE	MOLEX INCORPORATED		
	1 PLACE	± 0.15	± ---	IWANG	2006/09/05	APPROVED BY			
		ANGULAR ± 1 °		JNCHEN	2006/09/05	DOCUMENT NO.			
		DRAFT WHERE APPLICABLE MUST REMAIN WITHIN DIMENSIONS		MATERIAL NO.		SD-47271-001		SHEET NO.	
				SIZE		THIS DRAWING CONTAINS INFORMATION THAT IS PROPRIETARY TO MOLEX INCORPORATED AND SHOULD NOT BE USED WITHOUT WRITTEN PERMISSION		3 OF 5	

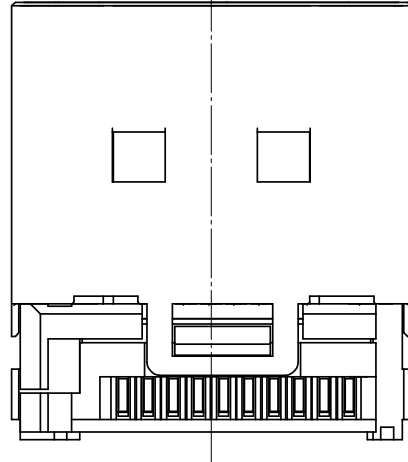
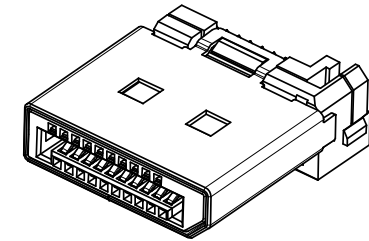
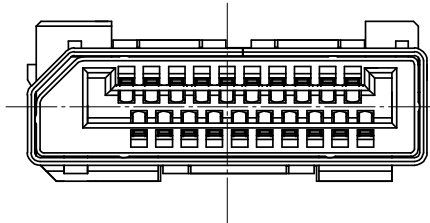
10 9 8 7 6 5 4 3 2 1



NOTES:  
THIS PART IS WITH LATCHES TYPE.  
CAN BE ASSEMBLED WITH LATCHES.

SEE SHEET1 EC NO: SH2008-0288 DRWN:HE 2008/04/07 CHKD:RZHANG 2008/04/08 APPR:HWANG 2008/04/25	DESCRIPTION QUALITY SYMBOLS ▽=0 ◻=0	GENERAL TOLERANCES (UNLESS SPECIFIED)		DIMENSION STYLE MM ONLY		SCALE 5:1	DESIGN UNITS METRIC	THIRD ANGLE PROJECTION		
			mm	INCH	DRAWN BY QWFANG	DATE 2006/09/05	TITLE PLUG ASS'Y FOR DISPLAYPORT			
		4 PLACES	± ---	± ---	CHECKED BY IWANG	DATE 2006/09/05				
			± 0.15	± ---	APPROVED BY JNCHEN	DATE 2006/09/05	MOLEX INCORPORATED			
2 PLACES	± 0.15	± ---	MATERIAL NO. 47271-0011	DOCUMENT NO. SD-47271-001	SHEET NO. 4 OF 5					
	ANGULAR ± 1 °		DRAFT WHERE APPLICABLE MUST REMAIN WITHIN DIMENSIONS		THIS DRAWING CONTAINS INFORMATION THAT IS PROPRIETARY TO MOLEX INCORPORATED AND SHOULD NOT BE USED WITHOUT WRITTEN PERMISSION					

9 8 7 6 5 4 3 2 1



NOTES:  
 THIS PART IS WITHOUT LATCHES TYPE.  
 CAN'T BE ASSEMBLED WITH LATCHES.  
 UNSPECIFIED DIMENSIONS ARE SAME AS SHEET 4.

SEE SHEET1 EC NO: SH2008-0288 DRWN: HHE 2008/08/06/07 CHK: KRZHANG 2008/04/08 APPR: HWANG 2008/04/25	DESCRIPTION REV	QUALITY SYMBOLS ▽=0 ◻=0	GENERAL TOLERANCES (UNLESS SPECIFIED)		DIMENSION STYLE MM ONLY		SCALE 5:1	DESIGN UNITS METRIC	THIRD ANGLE PROJECTION	
			4 PLACES ± --- ± --- 3 PLACES ± --- ± --- 2 PLACES ± 0.15 ± --- 1 PLACE ± 0.15 ± ---	mm INCH ± --- ± --- ± 0.15 ± --- ± 0.15 ± ---	DRAWN BY QWFANG	DATE 2006/09/05	TITLE PLUG ASS'Y FOR DISPLAYPORT			
			ANGULAR ± 1 °	DRAFT WHERE APPLICABLE MUST REMAIN WITHIN DIMENSIONS	CHECKED BY IWANG	DATE 2006/09/05	APPROVED BY JNCHEN 2006/09/05			
					MATERIAL NO. 47271-1011	DOCUMENT NO. SD-47271-001	MOLEX INCORPORATED		SHEET NO. 5 OF 5	