

PLEASE CHECK WWW.MOLEX.COM FOR LATEST PART INFORMATION

Part Number: [0039012125](#)
Status: **Active**
Overview: [minifit_jr](#)
Description: 4.20mm (.165") Pitch Mini-Fit Jr.™ Receptacle Housing, Dual Row, UL 94V-0, 12 Circuits

Documents:

| | |
|------------------------------------|---|
| 3D Model | Product Specification PS-5556-001 (PDF) |
| Test Summary (PDF) | Product Specification PS-5557-001 (PDF) |
| Drawing (PDF) | RoHS Certificate of Compliance (PDF) |

Agency Certification

| | |
|-----|-----------|
| CSA | LR19980 |
| TUV | R72081037 |
| UL | E29179 |

General

| | |
|----------------|--|
| Product Family | Crimp Housings |
| Series | 5557 |
| Comments | Current = 13A max. per circuit when header is mated to a receptacle loaded with 45750 series terminals crimped to 16 AWG wire. . See Molex product specification PS-45750-001 for additional current de-rating information.. Glow Wire Equivalent Part Number 50361674 . Use with Strain Relief 41995 Series |
| Overview | minifit_jr |
| Product Name | Mini-Fit Jr.™ |

Physical

| | |
|-------------------------------|-----------------|
| Breakaway | No |
| Circuits (maximum) | 12 |
| Color - Resin | Ivory |
| Flammability | 94V-0 |
| Gender | Female |
| Glow-Wire Compliant | No |
| Material - Resin | Nylon |
| Number of Rows | 2 |
| Packaging Type | Bag |
| Panel Mount | No |
| Pitch - Mating Interface (in) | 0.165 In |
| Pitch - Mating Interface (mm) | 4.20 mm |
| Pitch - Term. Interface (in) | 0.165 In |
| Pitch - Term. Interface (mm) | 4.20 mm |
| Polarized to Mating Part | Yes |
| Stackable | No |
| Temperature Range - Operating | -40°C to +105°C |

Electrical

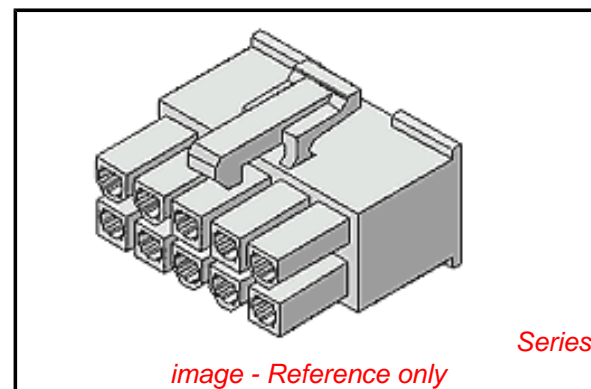
| | |
|-------------------------------|-----|
| Current - Maximum per Contact | 13A |
|-------------------------------|-----|

Material Info

| | |
|-----------------|--------------|
| Old Part Number | 5557-12R-210 |
|-----------------|--------------|

Reference - Drawing Numbers

| | |
|-------------------------|--------------|
| Packaging Specification | SPK-5557-001 |
|-------------------------|--------------|



EU RoHS

ELV and RoHS Compliant
REACH SVHC Contains SVHC: No
Halogen-Free Status

China RoHS



Need more information on product environmental compliance?

Email productcompliance@molex.com
 For a multiple part number RoHS Certificate of Compliance, [click here](#)

Please visit the [Contact Us](#) section for any non-product compliance questions.

Search Parts in this Series

[5557Series](#)

Mates With

[5559d](#) , [5566vw](#) , [5566vwo](#) , [5569rdf](#) , [5569rdp](#) , [43810a](#) , [43810b](#) , [43810c](#) , [43810d](#) , [44068a](#) , [44068b](#) , [44068c](#) , [44068d](#) , [44281](#) , [44472dw](#) , [44472dwo](#) , [87427](#) , [87427r](#) , [87427rf](#) , [42404](#) , [44474](#) , [42440](#) , [43879](#) , [42475](#)

Use With

[41995](#) Strain Relief

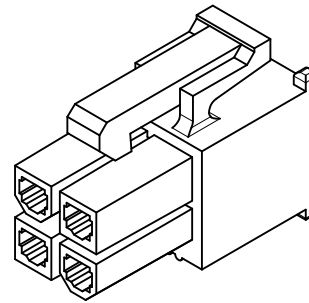
Product Specification

Sales Drawing

PS-5556-001, PS-5557-001, RPS-5557-002,
RPS-5557-004, RPS-5557-024, RPS-5557-031,
RPS-5557-036, RPS-5557-050, RPS-5557-058
SD-5557-003

This document was generated on 05/19/2010

PLEASE CHECK WWW.MOLEX.COM FOR LATEST PART INFORMATION



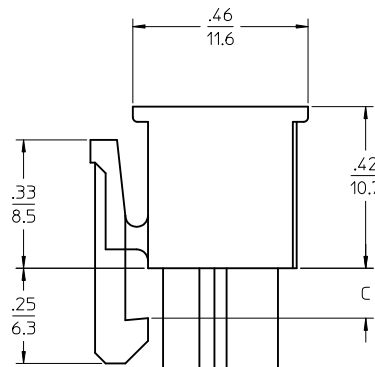
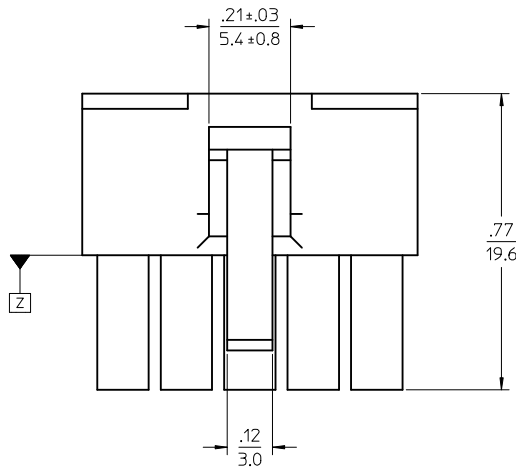
4 CKT SHOWN

NOTES:

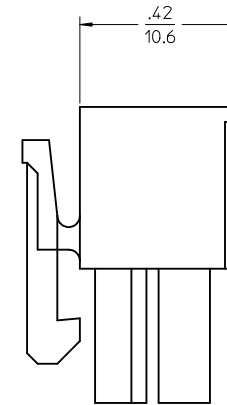
1) MATERIAL:

- *"BLANK" = NYLON 6/6, 94V-2, COLOR: NATURAL.
 - *"BL" = NYLON 6/6, 94V-2, COLOR: BLACK.
 - *"RE" = NYLON 6/6, 94V-2, COLOR: RED.
 - *"YE" = NYLON 6/6, 94V-2, COLOR: YELLOW
 - *"210" = NYLON 6/6, 94V-0, COLOR: NATURAL.
 - *"225" = NYLON (PA6), UL94V-0, COLOR: BLACK, IEC 60335-1, 4th EDITION GLOW WIRE CAPABLE.
 - *"225N" = NYLON (PA6), UL94V-0, COLOR: WHITE, IEC 60335-1, 4th EDITION GLOW WIRE CAPABLE.
 - *"400" = NYLON 6/6, 94V-0, COLOR: BLACK.
- 2) FINISH: NOT APPLICABLE
 3) PRODUCT SPECIFICATION: PS-5556-001
 4) PACKAGING: BULK
 5) PART MATES WITH MOLEX PLUG #5559 AND HEADERS #5566, #5569.
 6) PART TO BE USED WITH MOLEX FEMALE TERMINAL #5556.
 7) PART IS NOT DESIGNED FOR CURRENT SHARING.
 8) CONNECTORS ARE NOT TO BE MATED OR UNMATED WHILE CIRCUITS ARE LIVE.
 9) WIRES ARE TO BE DRESSED IN SUCH A MANNER TO ALLOW THE TERMINALS TO FLOAT FREELY IN THE POCKET.
 10) PART CONFORMS TO CLASS "B" REQUIREMENTS OF COSMETIC SPECIFICATION PS-45499-002 WITH THE EXCEPTION OF DISCOLORATION, FLASH AND SINK MEET CLASS "C" REQUIREMENTS.

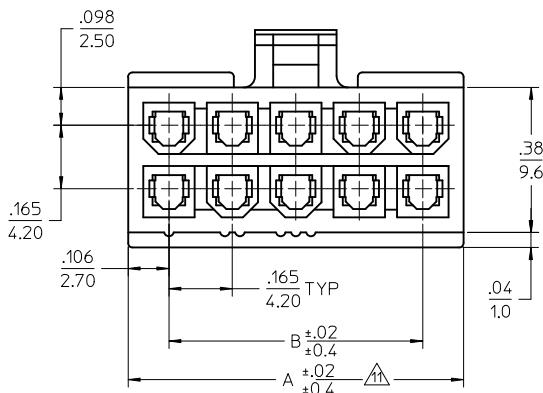
▲ TO BE MEASURED AT SURFACE [Z]



4-24 CKT



2 CKT ONLY



| | | | |
|--------------|--------------|-------|--------------|
| 2.031/(51.6) | 1.819/(46.2) | | 24 |
| 1.866/(47.4) | 1.654/(42.0) | | 22 |
| 1.701/(43.2) | 1.488/(37.8) | .142 | 20 |
| 1.535/(39.0) | 1.323/(33.6) | (3,6) | 18 |
| 1.370/(34.8) | 1.157/(29.4) | | 16 |
| 1.205/(30.6) | 0.992/(25.2) | | 14 |
| 1.039/(26.4) | 0.827/(21.0) | | 12 |
| 0.874/(22.2) | 0.661/(16.8) | | 10 |
| 0.709/(18.0) | 0.496/(12.6) | .129 | 8 |
| 0.543/(13.8) | 0.331/(8.4) | (3,3) | 6 |
| 0.378/(9.6) | 0.165/(4.2) | | 4 |
| 0.213/(5.4) | — | | 2 |
| A | B | C | NO. OF CKTS. |

| | |
|--|-----------------|
| MODIFIED ISO VIEW IEC NO: UCP2010-2566 DRWN: JAGUILAR 2010/04/05 CHKD: JEBEL '97/01/08 APPR: FSMITH 2010/04/14 | QUALITY SYMBOLS |
| | ▼=0 ▽=0 |
| | DESCRIPTION |
| | REV |

| | |
|--|-------|
| GENERAL TOLERANCES (UNLESS SPECIFIED) | |
| mm | INCH |
| 4 PLACES ± | --- |
| 3 PLACES ± | -.010 |
| 2 PLACES ± | -.015 |
| 1 PLACE ± | -.038 |
| ANGULAR ± 3 ° | |
| DRAFT WHERE APPLICABLE MUST REMAIN WITHIN DIMENSIONS | |

| | | | | |
|-----------------|--------------|---|--------------|------------------------|
| DIMENSION STYLE | | SCALE | DESIGN UNITS | THIRD ANGLE PROJECTION |
| IN/MM | | 4:1 | METRIC | |
| DRAWN BY | DATE | TITLE | | |
| S. MOCHIZUKI | '90/02/22 | NEW MINI FIT CONN REC. HOUSING | | |
| CHECKED BY | DATE | MOLEX INCORPORATED | | |
| M. FUKUSHIMA | '97/01/08 | SD-5557-003 | | |
| APPROVED BY | DATE | SHEET NO. | | |
| M. FUKUSHIMA | '97/01/08 | 1 OF 2 | | |
| MATERIAL NO. | DOCUMENT NO. | THIS DRAWING CONTAINS INFORMATION THAT IS PROPRIETARY TO MOLEX INCORPORATED AND SHOULD NOT BE USED WITHOUT WRITTEN PERMISSION | | |
| SEE SHEET 2 | | | | |



CIRCUIT SIZE LAYOUT
(NOT TO SCALE)

LEGEND



| V-0 GLOW WIRE (BLACK) | | | V-0 GLOW WIRE (WHITE) | | |
|-----------------------|------------|--------------|-----------------------|------------|---------------|
| EDP. NO. | ENG. NO. | NO. OF CKTS. | EDP. NO. | ENG. NO. | NO. OF CKTS. |
| | 50-36-1667 | 5557-24R-225 | 24 | - | 24 |
| | 26-01-3167 | 5557-22R-225 | 22 | - | 22 |
| * | 26-01-3166 | 5557-20R-225 | 20 | - | 20 |
| | 50-36-1668 | 5557-18R-225 | 18 | - | 18 |
| | 50-36-1669 | 5557-16R-225 | 16 | - | 16 |
| | 50-36-2293 | 5557-14R-225 | 14 | - | 14 |
| | 50-36-1674 | 5557-12R-225 | 12 | - | 12 |
| | 50-36-1671 | 5557-10R-225 | 10 | - | 10 |
| | 50-36-1713 | 5557-08R-225 | 8 | - | 8 |
| | 50-36-1672 | 5557-06R-225 | 6 | - | 6 |
| | 50-30-4461 | 5557-04R-225 | 4 | 50-36-2301 | 5557-04R-225N |
| | 50-36-1673 | 5557-02R-225 | 2 | - | 2 |

| V-0 (BLACK) | | | V-0 (NATURAL) | | |
|-------------|------------|--------------|---------------|------------|--------------|
| EDP. NO. | ENG. NO. | NO. OF CKTS. | EDP. NO. | ENG. NO. | NO. OF CKTS. |
| * | 39-03-9242 | 5557-24R-400 | 24 | 39-01-2245 | 5557-24R-210 |
| * | 39-03-9222 | 5557-22R-400 | 22 | 39-01-2225 | 5557-22R-210 |
| * | 39-03-9202 | 5557-20R-400 | 20 | 39-01-2205 | 5557-20R-210 |
| * | 39-03-9182 | 5557-18R-400 | 18 | 39-01-2185 | 5557-18R-210 |
| * | 39-03-9162 | 5557-16R-400 | 16 | 39-01-2165 | 5557-16R-210 |
| * | 39-03-9142 | 5557-14R-400 | 14 | 39-01-2145 | 5557-14R-210 |
| * | 39-03-9122 | 5557-12R-400 | 12 | 39-01-2125 | 5557-12R-210 |
| * | 39-03-9102 | 5557-10R-400 | 10 | 39-01-2105 | 5557-10R-210 |
| * | 39-03-9082 | 5557-08R-400 | 8 | 39-01-2085 | 5557-08R-210 |
| * | 39-03-9062 | 5557-06R-400 | 6 | 39-01-2065 | 5557-06R-210 |
| | 39-03-9042 | 5557-04R-400 | 4 | 39-01-2045 | 5557-04R-210 |
| | 39-03-9022 | 5557-02R-400 | 2 | 39-01-2025 | 5557-02R-210 |

* = CONSULT FACTORY FOR AVAILABILITY.

| V-2 (YELLOW) | | | V-2 (RED) | | | V-2 (BLACK) | | | V-2 (NATURAL) | | | |
|--------------|------------|--------------|-----------|----------|--------------|-------------|------------|--------------|---------------|------------|--------------|----------|
| EDP. NO. | ENG. NO. | NO. OF CKTS. | EDP. NO. | ENG. NO. | NO. OF CKTS. | EDP. NO. | ENG. NO. | NO. OF CKTS. | EDP. NO. | ENG. NO. | NO. OF CKTS. | |
| | | 24 | - | - | 24 | * | 39-01-3245 | 5557-24R-BL | 24 | 39-01-2240 | 5557-24R | |
| | | 22 | - | - | 22 | | 39-01-3225 | 5557-22R-BL | 22 | 39-01-2220 | 5557-22R | |
| | | 20 | - | - | 20 | * | 39-01-3205 | 5557-20R-BL | 20 | 39-01-2200 | 5557-20R | |
| | | 18 | - | - | 18 | * | 39-01-3185 | 5557-18R-BL | 18 | 39-01-2180 | 5557-18R | |
| | | 16 | - | - | 16 | * | 39-01-3165 | 5557-16R-BL | 16 | 39-01-2160 | 5557-16R | |
| | | 14 | - | - | 14 | | 39-01-3145 | 5557-14R-BL | 14 | 39-01-2140 | 5557-14R | |
| | | 12 | - | - | 12 | | 39-01-3125 | 5557-12R-BL | 12 | 39-01-2120 | 5557-12R | |
| | | 10 | - | - | 10 | | 39-01-3105 | 5557-10R-BL | 10 | 39-01-2100 | 5557-10R | |
| | | 8 | - | - | 8 | | 39-01-3085 | 5557-08R-BL | 8 | 39-01-2080 | 5557-08R | |
| * | 39-02-8061 | 5557-06R-YE | 6 | - | 6 | | 39-01-3065 | 5557-06R-BL | 6 | 39-01-2060 | 5557-06R | |
| * | 39-02-8041 | 5557-04R-YE | 4 | * | 39-02-8040 | 5557-04R-RE | 4 | 39-01-3045 | 5557-04R-BL | 4 | 39-01-2040 | 5557-04R |
| * | 39-02-8021 | 5557-02R-YE | 2 | - | 2 | | 39-01-3025 | 5557-02R-BL | 2 | 39-01-2020 | 5557-02R | |

MODIFIED CHARTS
EC NO: UCP2010-2566
DRAWN: JAGUILAR 2010/04/05
CHKD: J.BELL '97/01/08
APPR: F.S.MITH 2010/04/14

DESCRIPTION

QUALITY SYMBOLS
▽=0
▽=0

J4

GENERAL TOLERANCES (UNLESS SPECIFIED)

| | mm | INCH |
|----------|------|------|
| 4 PLACES | ±0.2 | ±--- |
| 3 PLACES | ±0.3 | ±--- |
| 2 PLACES | ±0.4 | ±--- |
| 1 PLACE | ±--- | ±--- |

ANGULAR ± 3°

DRAFT WHERE APPLICABLE MUST REMAIN WITHIN DIMENSIONS

DIMENSION STYLE
MM ONLY

DRAWN BY DATE
S. MOCHIZUKI '90/02/22

CHECKED BY DATE
M. FUKUSHIMA '97/01/08

APPROVED BY DATE
M. FUKUSHIMA '97/01/08

MATERIAL NO.
SEE CHART

SCALE
1:1

DESIGN UNITS
METRIC

THIRD ANGLE PROJECTION

NEW MINI FIT CONN REC. HOUSING

MOLEX MOLEX INCORPORATED

DOCUMENT NO. SD-5557-003

SHEET NO. 2 OF 2

THIS DRAWING CONTAINS INFORMATION THAT IS PROPRIETARY TO MOLEX INCORPORATED AND SHOULD NOT BE USED WITHOUT WRITTEN PERMISSION