

PLEASE CHECK WWW.MOLEX.COM FOR LATEST PART INFORMATION

Part Number: **0527121219**
Status: **Active**
Description: 1.60mm (.063") Pitch Board-to-Board Receptacle, Right Angle, Detachable, Lead Free

Documents:

[3D Model](#) [Product Specification PS-52712-003 \(PDF\)](#)
[Drawing \(PDF\)](#) [RoHS Certificate of Compliance \(PDF\)](#)

General

Product Family	PCB Receptacles
Series	52712
Application	Board-to-Board
Product Name	N/A

Physical

Circuits (Loaded)	12
Color - Resin	Black
Durability (mating cycles max)	10,000
Glow-Wire Compliant	No
Material - Metal	Phosphor Bronze
Material - Plating Mating	Gold
Material - Plating Termination	Tin
Number of Rows	2
Orientation	Right Angle
PC Tail Length (in)	0.142 In
PC Tail Length (mm)	3.60 mm
PCB Locator	Yes
PCB Retention	None
PCB Thickness Recommended (in)	0.063 In
PCB Thickness Recommended (mm)	1.60 mm
Packaging Type	Tray
Pitch - Mating Interface (in)	0.063 In
Pitch - Mating Interface (mm)	1.60 mm
Polarized to PCB	Yes
Temperature Range - Operating	-40°C to +105°C
Termination Interface: Style	Through Hole

Electrical

Current - Maximum per Contact	1A
Voltage - Maximum	125V

Material Info

Reference - Drawing Numbers

Product Specification	PS-52712-003
Sales Drawing	SD-52712-001

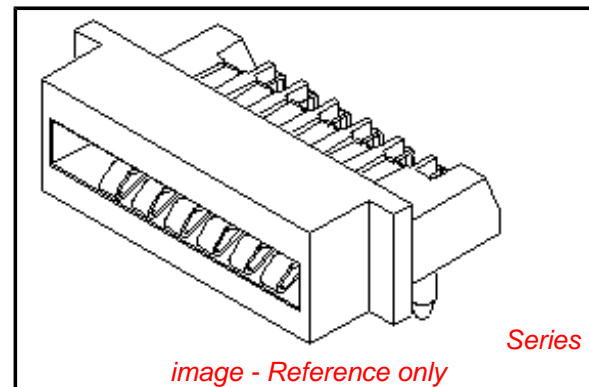


image - Reference only

EU RoHS

**ELV and RoHS
Compliant**
**REACH SVHC
Not Reviewed**
**Halogen-Free
Status**

China RoHS



**Need more information on product
environmental compliance?**

Email productcompliance@molex.com
 For a multiple part number RoHS Certificate of Compliance, [click here](#)

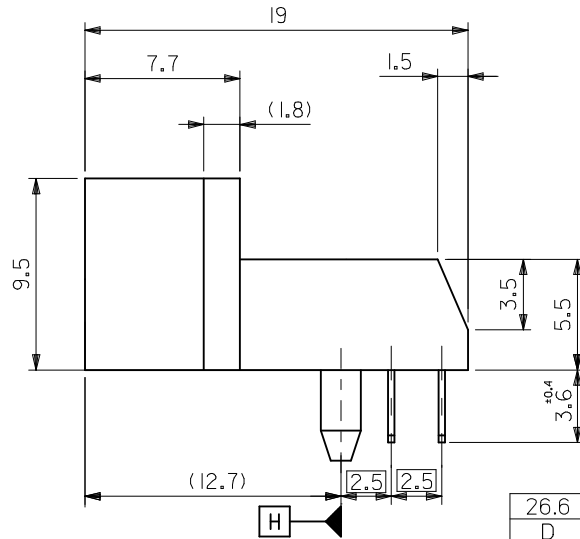
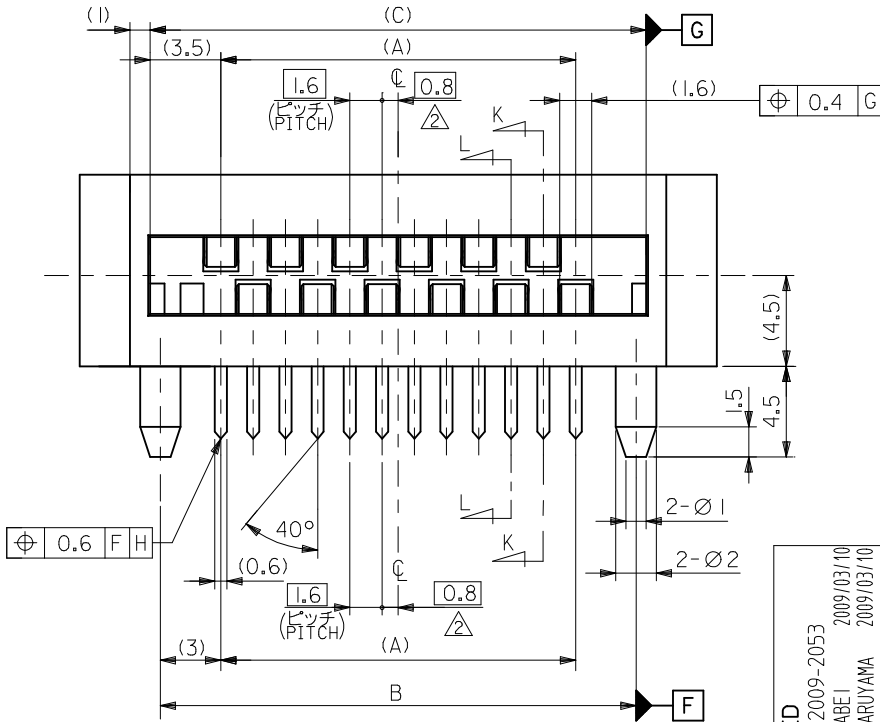
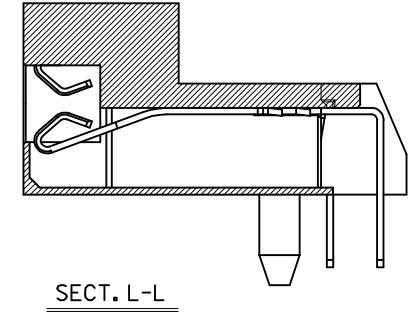
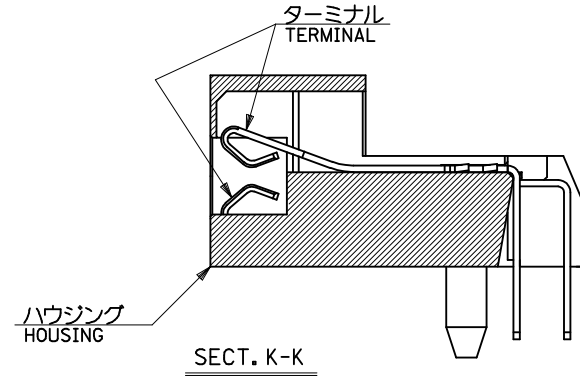
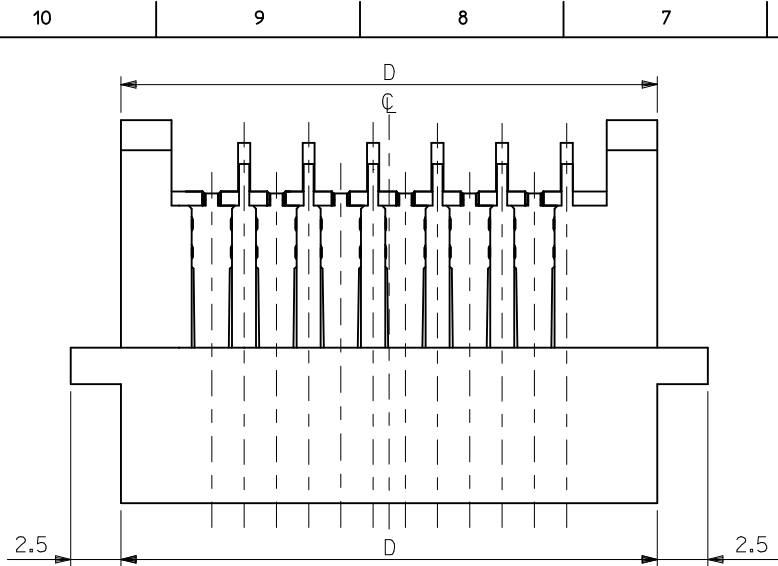
Please visit the [Contact Us](#) section for any non-product compliance questions.

Search Parts in this Series

52712Series

Mates With

53440

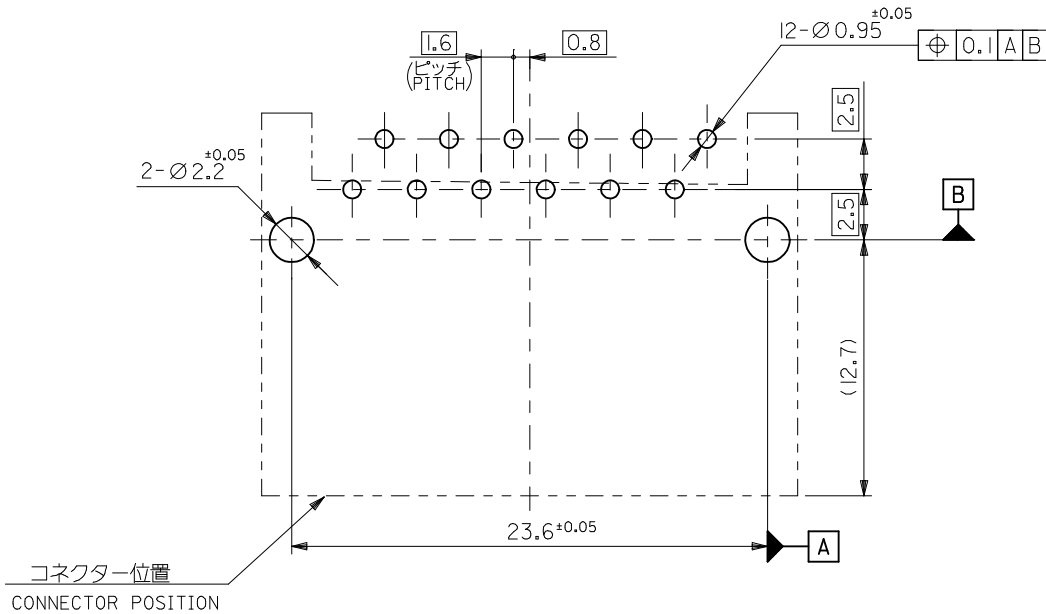


注記 NOTES:

- 嵌合相手: 53440 シリーズ
MATE WITH : 53440 SERIES
- ハウジングの ϕ から隣接するターミナルの ϕ 迄の位置を示す。
SHOW POSITION FROM ϕ OF HOUSING TO ϕ OF ADJACENT TERMINALS.
- 使用材料
ハウジング: PBT, UL94V-0 (BLACK)
HOUSING
ターミナル: リン青銅 (t=0.32)
TERMINAL PHOSPHOR BRONZE
- メッキ仕様
ターミナル: 金メッキ (コンタクト部)
TERMINAL Gold PLATED (CONTACT AREA)
錫メッキ (ソルダーテール部)
TIN-PLATED (SOLDER TAIL AREA)
- 本製品は 52712-***11 の鉛フリー品である。
THIS PRODUCT IS LEAD FREE OF 52712-***11.

26.6	24.6	23.6	17.6	52712-1219	12
D	(C)	B	(A)	MATERIAL NO.	CKT.
				52712-***19	MODEL NO.

REVISED EC NO.: J2009-2053 DRWN: MWABEI 2009/03/10 CHKD: THARUYAMA 2009/03/10 APPR: NUKITA 2009/03/10	DESCRIPTION	GENERAL TOLERANCES (UNLESS SPECIFIED)		DIMENSION STYLE MM ONLY		SCALE ---	DESIGN UNITS METRIC	THIRD ANGLE PROJECTION	
		10 UNDER	±0.2	DRAWN BY J. SASAMORI	DATE 2004/8/19	TITLE 1.6 B/B CONN. HSG. ASS'Y (PANEL DETACHABLE TYPE) -LEAD FREE-			
		10 OVER 30 UNDER	±0.25	CHECKED BY K. TOJO	DATE 2004/8/19	MOLEX INCORPORATED			
		30 OVER	±0.3	APPROVED BY N. UKITA	DATE 2004/8/19	DOCUMENT NO. SD-52712-001			
REV	SIZE A3	ANGULAR ±3 ° DRAFT WHERE APPLICABLE MUST REMAIN WITHIN DIMENSIONS		SEE TABLE				SHEET NO. 1 OF 2	



基板取付穴参考寸法 (t = 1.6)
 RECOMMENDED P.C. BOARD
 HOLE DIMENSION (REFERENCE)
 (マウント面)
 (MOUNTING SIDE)

REVISED EC NO.: J2009-2053 DRWN: MWABEI 2009/03/10 CHKD: THARUYAMA 2009/03/10 APPR: NUKITA 2009/03/10 B	DESCRIPTION GENERAL TOLERANCES (UNLESS SPECIFIED) DIMENSION STYLE SCALE DESIGN UNITS THIRD ANGLE PROJECTION	10 UNDER ± 0.2 10 OVER 30 UNDER ± 0.25 30 OVER ± 0.3 ANGULAR ± 3 ° DRAFT WHERE APPLICABLE MUST REMAIN WITHIN DIMENSIONS	MM ONLY --- METRIC	52712-**-19 MODEL NO.
		DRAWN BY: J. SASAMORI DATE: 2004/8/19 CHECKED BY: K. TOJO DATE: 2004/8/19 APPROVED BY: N. UKITA DATE: 2004/8/19	TITLE 1.6 B/B CONN. HSG. ASS'Y (PANEL DETACHABLE TYPE) -LEAD FREE-	
		MATERIAL NO. SEE SHEET 1	DOCUMENT NO. MOLEX INCORPORATED SD-52712-001	
		SIZE A3	THIS DRAWING CONTAINS INFORMATION THAT IS PROPRIETARY TO MOLEX INCORPORATED AND SHOULD NOT BE USED WITHOUT WRITTEN PERMISSION	
		SHEET NO. 2 OF 2	EN-02JA(021)	