



227-039 and 227-040 Bulkhead Feed-Through Connector Assemblies

227-039-10-2 P N P N 03 D

Basic Part Number _____
 227-039 = Standard Shell
 (mates with 220-06 plug)
 227-040 = Scoop Proof Shell
 (mates with 220-16 plug)

Shell Size _____

Insert Arrangement Dash No. (See Page 7)
 (Note: For Pin/Pin or Socket/Socket, the
 Insert Arrangement Must Be Symmetrical.)

Side A Configuration: P = Pin, S = Socket,
 H = Hermetic Pin

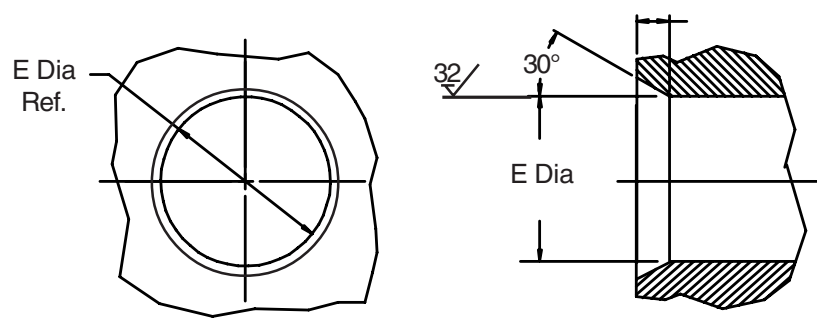
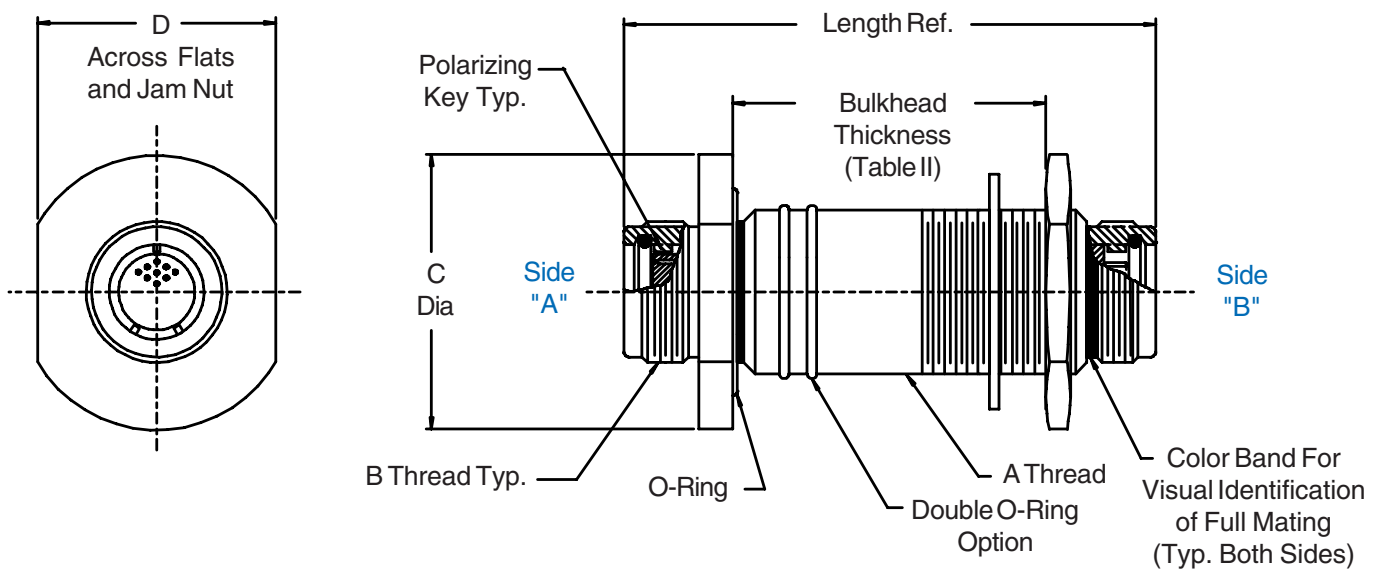
Double O-Ring Option (Omit For None)

Bulkhead Thickness Dash No. (Table II)

Side B Alternate Insert Position - N, 1, 2, 3
 or 4 (See Page 6)

Side B Configuration: P = Pin, S = Socket

Side A Alternate Insert Position - N, 1, 2, 3,
 or 4 (See Page 6)



Recommended Panel Cutout

227-039 and 227-040
Bulkhead Feed-Through
Connector Assemblies



TABLE I

Shell Size	A Thread Class 2A	B Thread Class 2A	C Dia	D Flat	E Dia *
10	7/8 - 20 UNEF	.750 - .1P - .1L	1.41 (35.8)	1.250 (31.8)	.875 (22.2)
12	1 - 20 UNEF	.875 - .1P - .1L	1.53 (38.9)	1.375 (34.9)	1.000 (25.4)
14	1 1/8 - 16 UN	1.000 - .1P - .1L	1.66 (42.2)	1.500 (38.1)	1.125 (28.6)
16	1 1/4 - 16 UN	1.125 - .1P - .1L	1.78 (45.2)	1.625 (41.3)	1.250 (31.8)
18	1 3/8 - 16 UN	1.250 - .1P - .1L	1.91 (48.5)	1.750 (44.5)	1.375 (34.9)
20	1 1/2 - 16 UN	1.375 - .1P - .1L	2.03 (51.6)	1.875 (47.6)	1.500 (38.1)
22	1 5/8 - 16 UN	1.500 - .1P - .1L	2.16 (54.9)	2.000 (50.8)	1.625 (41.3)
24	1 3/4 - 16 UN	1.625 - .1P - .1L	2.28 (57.9)	2.125 (54.0)	1.750 (44.5)

* Standard Shell +.010 (.3) -.000 (.0)
* Scoop-Proof Shell +.002 (.3) -.000 (.0)

TABLE II

Dash No.	Panel Min	Panel Max	Length (Ref.)			
			Standard Shell		Scoop Proof Shell	
01	.03 (.8)	1.00 (25.4)	2.30 (58.4)	2.30 (58.4)	2.30 (58.4)	2.30 (58.4)
02	1.00 (25.4)	2.00 (50.8)	3.30 (83.8)	3.30 (83.8)	3.30 (83.8)	3.30 (83.8)
03	2.00 (50.8)	3.00 (76.2)	4.30 (109.2)	4.30 (109.2)	4.30 (109.2)	4.30 (109.2)
04	3.00 (76.2)	4.00 (101.6)	5.30 (134.6)	5.30 (134.6)	5.30 (134.6)	5.30 (134.6)
05	4.00 (101.6)	5.00 (127.0)	6.30 (160.0)	6.30 (160.0)	6.30 (160.0)	6.30 (160.0)
06	5.00 (127.0)	6.00 (152.4)	7.30 (185.4)	7.30 (185.4)	7.30 (185.4)	7.30 (185.4)
07	6.00 (152.4)	7.00 (177.8)	8.30 (210.8)	8.30 (210.8)	8.30 (210.8)	8.30 (210.8)
08	7.00 (177.8)	8.00 (203.2)	9.30 (236.2)	9.30 (236.2)	9.30 (236.2)	9.30 (236.2)

1. Metric dimensions (mm) are indicated in parentheses.
2. Power to a given contact on one end will result in power to contact directly opposite, regardless of identification letter.