

PLEASE CHECK WWW.MOLEX.COM FOR LATEST PART INFORMATION

Part Number: [0510470500](#)
Status: **Active**
Overview: [picoblade](#)
Description: 1.25mm (.049") Pitch PicoBlade™ Wire-to-Wire Plug Housing, 5 Circuits

Documents:

[3D Model](#) [Product Specification PS-51021-009 \(PDF\)](#)
[Drawing \(PDF\)](#) [RoHS Certificate of Compliance \(PDF\)](#)

General

Product Family [Crimp Housings](#)
 Series [51047](#)
 Overview [picoblade](#)
 Product Name [PicoBlade™](#)

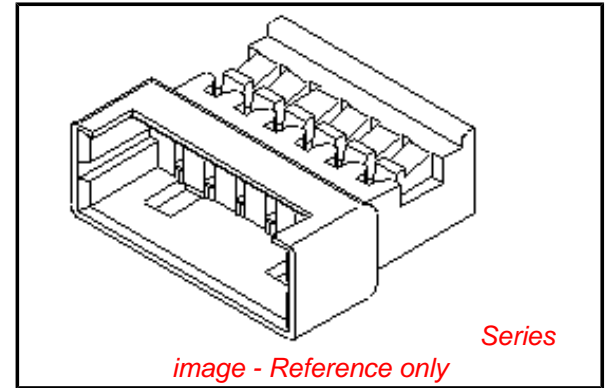
Physical

Circuits (maximum) [5](#)
 Color - Resin [Natural](#)
 Gender [Male](#)
 Glow-Wire Compliant [No](#)
 Lock to Mating Part [Yes](#)
 Material - Resin [Polyester](#)
 Number of Rows [1](#)
 Packaging Type [Bag](#)
 Panel Mount [No](#)
 Pitch - Mating Interface (in) [0.049 In](#)
 Pitch - Mating Interface (mm) [1.25 mm](#)
 Stackable [No](#)
 Temperature Range - Operating [-40°C to +85°C](#)

Material Info

Reference - Drawing Numbers

[Packaging Specification](#) [SPK-51047-001](#)
[Product Specification](#) [PS-51021-009](#), [RPS-51021-033](#), [RPS-51047-001](#)
[Sales Drawing](#) [SD-51047-**00](#)



EU RoHS

**ELV and RoHS
Compliant**
REACH SVHC
 Not Reviewed
**Halogen-Free
Status**
Not Reviewed

China RoHS



**Need more information on product
environmental compliance?**

Email productcompliance@molex.com
 For a multiple part number RoHS Certificate of Compliance, [click here](#)

Please visit the [Contact Us](#) section for any non-product compliance questions.

Search Parts in this Series
[51047Series](#)

Mates With
[51021](#) housing

Use With
[50125](#) Crimp Terminal, [50133](#) Crimp Terminal

DWG. NO. SD-51047-***00

F

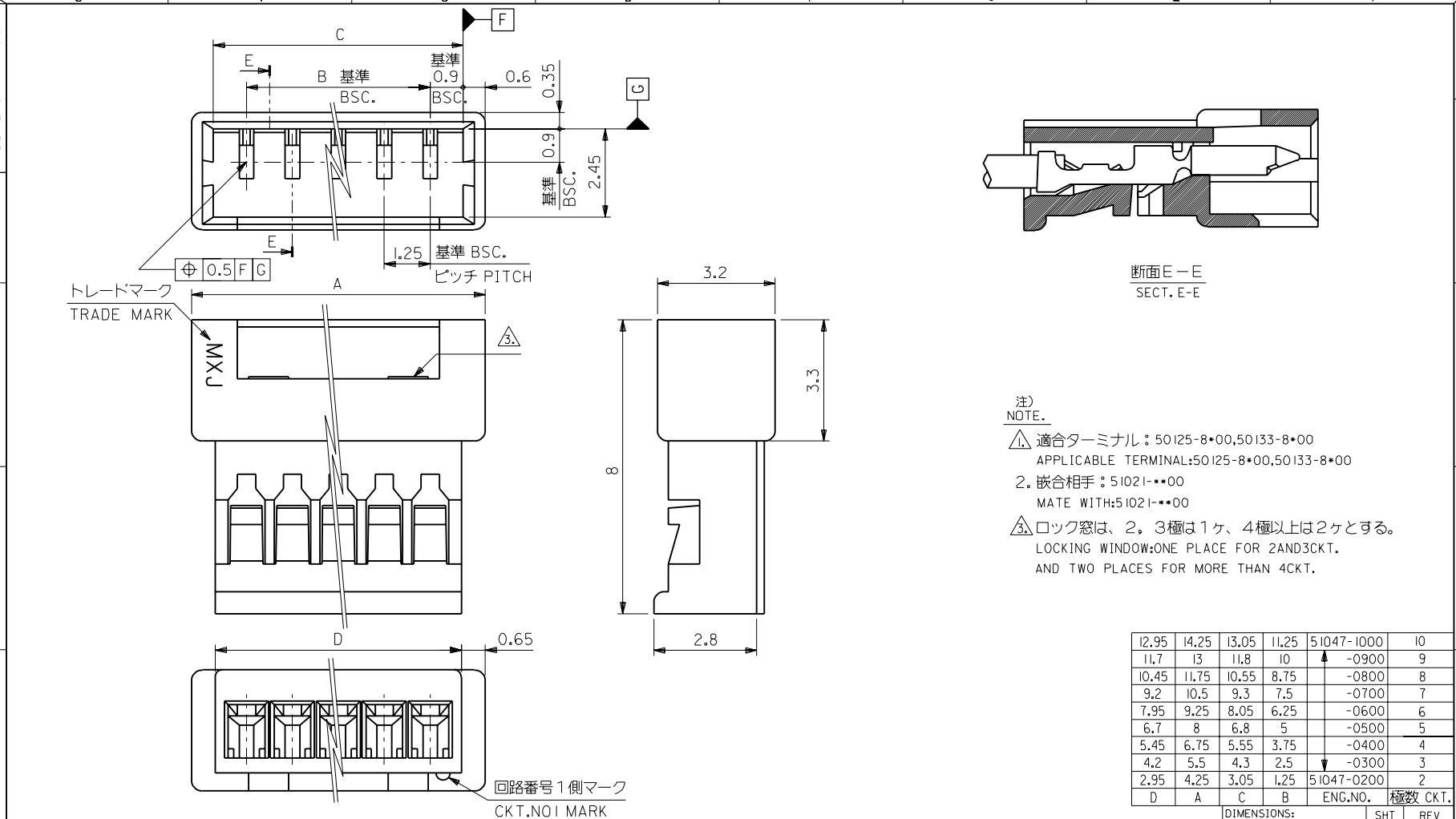
D

V

C

B

DO NOT SCALE DRAWING



断面E-E
SECT. E-E

注)
NOTE.

- △ 適合ターミナル：50125-8*00,50133-8*00
APPLICABLE TERMINAL:50125-8*00,50133-8*00
- 2. 嵌合相手：51021-***00
MATE WITH:51021-***00
- △ ロック窓は、2、3極は1ヶ、4極以上は2ヶとする。
LOCKING WINDOW:ONE PLACE FOR 2AND3CKT.
AND TWO PLACES FOR MORE THAN 4CKT.

12.95	14.25	13.05	11.25	51047-1000	10
11.7	13	11.8	10	↑ -0900	9
10.45	11.75	10.55	8.75	↑ -0800	8
9.2	10.5	9.3	7.5	↑ -0700	7
7.95	9.25	8.05	6.25	↑ -0600	6
6.7	8	6.8	5	↑ -0500	5
5.45	6.75	5.55	3.75	↑ -0400	4
4.2	5.5	4.3	2.5	↑ -0300	3
2.95	4.25	3.05	1.25	↑ 51047-0200	2
D	A	C	B	ENG.NO.	極数 CKT.

EC NO. DRWN: CHK: APPR:	EC NO. DRWN: CHK: APPR:	EC NO. DRWN: CHK: APPR:	EC NO. DRWN: CHK: APPR:	REDRAWN EC NO. JC2000-0629 DRWN: K.KOHAMA 000/3/28 CHK: T.YAMAGUCHI 000/3/30 APPR: M.FUKUSHIMA 000/3/30	MATERIAL 材料 ポリエステル POLYESTER, UL94V-0	GENERAL TOLERANCES: (UNLESS SPECIFIED) 一般公差	SCALE 10:1	DESIGN UNITS <input checked="" type="checkbox"/> mm <input type="checkbox"/> INCH	<input checked="" type="checkbox"/> THIRD ANGLE <input type="checkbox"/> PROJECTION	DIMENSIONS: <input type="checkbox"/> mm <input type="checkbox"/> INCH <input checked="" type="checkbox"/> mm ONLY	SHT	REV
					FINISH 仕上り	10 UNDER 未満	+0.2	DRAWN BY & DATE K.KOHAMA 000/3/28	TITLE: 1.25 W/W CONN. PLG HSG.	REVISE ON CAD ONLY		
REV	INS. RANGE 被覆外径	WIRE RANGE 適用線径範囲	DESCRIPTION	REV	INS. RANGE 被覆外径	ANGLE 角度	+3°	APPROVED BY & DATE M.FUKUSHIMA 000/3/30	MATERIAL NO. 51047-***00		DRAWING NO. SD-51047-***00	
						CAD FILENAME S51047.S10	SHEET NO. 1		SIZE B			