

PLEASE CHECK WWW.MOLEX.COM FOR LATEST PART INFORMATION

Part Number: [0359600100](#)
Status: **Planned for Obsolescence**
Description: 6.35mm (250") Tab Wire-to-Board Header, 1 Circuit

Documents:

[3D Model](#) [RoHS Certificate of Compliance \(PDF\)](#)
[Drawing \(PDF\)](#)

Agency Certification

UL E29179

General

Product Family PCB Headers
 Series [35960](#)
 Application Wire-to-Board
 Product Name N/A

Physical

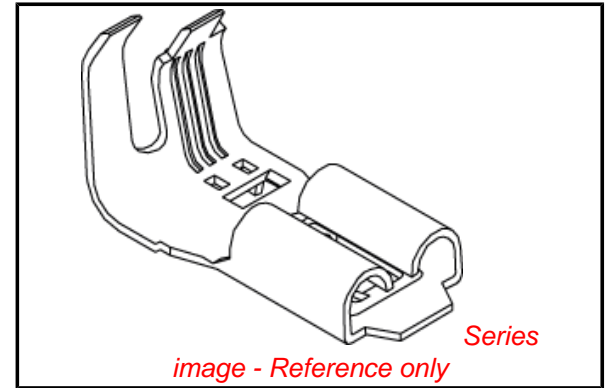
Breakaway No
 Circuits (Loaded) 1
 Circuits (maximum) 1
 Durability (mating cycles max) 30
 First Mate / Last Break No
 Flammability 94V-2
 Glow-Wire Compliant No
 Guide to Mating Part No
 Keying to Mating Part None
 Lock to Mating Part None
 Material - Plating Mating Tin
 Number of Rows 1
 Orientation Vertical
 PC Tail Length (in) 0.157 In
 PC Tail Length (mm) 4.00 mm
 PCB Locator No
 PCB Retention None
 PCB Thickness Recommended (in) 0.062 In
 PCB Thickness Recommended (mm) 1.60 mm
 Packaging Type Bag
 Pitch - Mating Interface (in) 0.000 In
 Pitch - Mating Interface (mm) 0.00 mm
 Pitch - Term. Interface (in) 0.000 In
 Pitch - Term. Interface (mm) 0.00 mm
 Polarized to Mating Part No
 Polarized to PCB No
 Shrouded No
 Stackable No
 Surface Mount Compatible (SMC) No
 Temperature Range - Operating -40°C to +105°C
 Termination Interface: Style Through Hole

Electrical

Current - Maximum per Contact 25A
 Voltage - Maximum 300V

Material Info

Reference - Drawing Numbers



EU RoHS

ELV and RoHS Compliant
REACH SVHC
 Not Reviewed
Halogen-Free Status

China RoHS



Need more information on product environmental compliance?

Email productcompliance@molex.com
 For a multiple part number RoHS Certificate of Compliance, [click here](#)

Please visit the [Contact Us](#) section for any non-product compliance questions.

Search Parts in this Series

[35960Series](#)

Mates With

[35196 MP-Lock™ Housing](#)

Use With

[35072 MP-Lock™ Quick Disconnect](#)

This document was generated on 06/03/2010

PLEASE CHECK WWW.MOLEX.COM FOR LATEST PART INFORMATION

DO NOT SCALE DRAWING DIMENSION IN METRIC

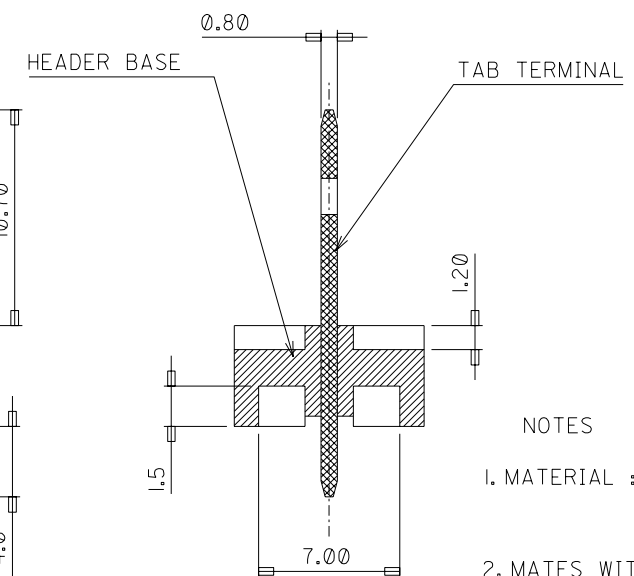
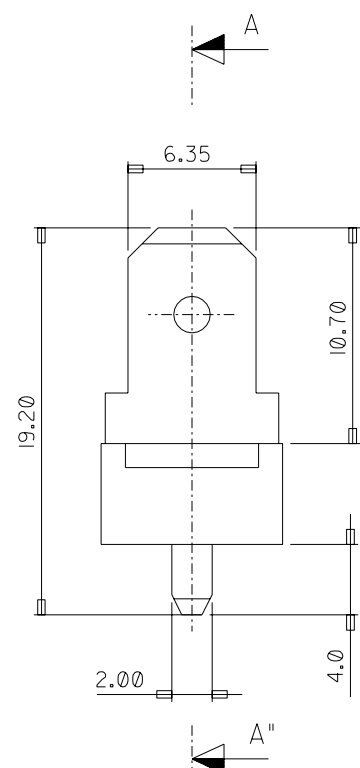
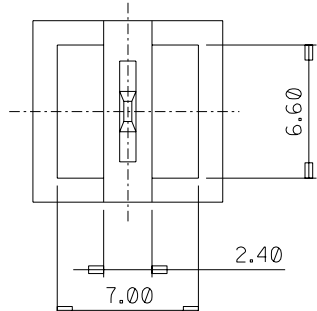
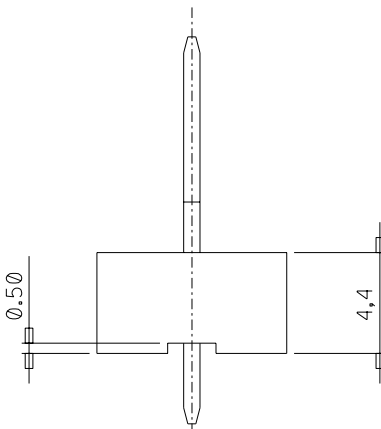
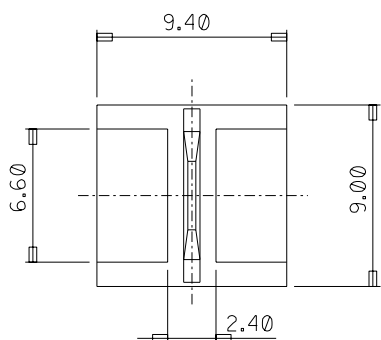
DWG. NO.

SIMILAR ITEM

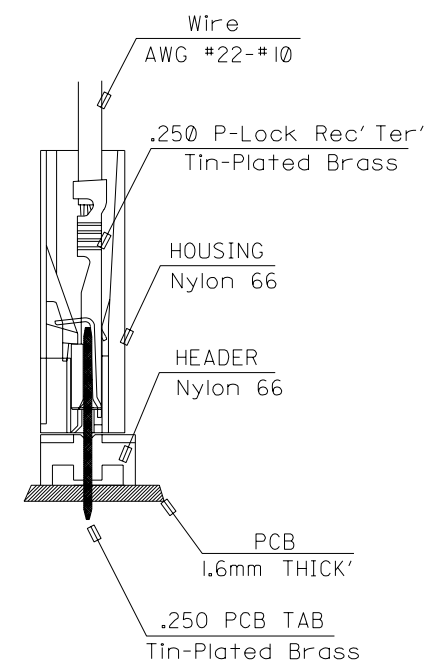
PROJECT NO.

C

B



SECTION A-A"



ASS'Y PART

NOTES

- MATERIAL : HEADER HOUSING: NYLON(PA), UL94V-2
COLOR: NATURAL
TAB TERMINAL : TIN PLATED BRASS
- MATES WITH : 35196-011*

ENGINEERING NO.	MATERIAL NO.
35960-0100	359600100

REVISED EC NO. KOR2003-0188 DRWN: W.Y. YANG 03/01/16 CHK: APPR:	DESCRIPTION	QUALITY SYMBOLS	GENERAL TOLERANCES: (UNLESS SPECIFIED)	SCALE 4:1	DESIGN UNITS <input checked="" type="checkbox"/> mm <input type="checkbox"/> INCH	<input checked="" type="checkbox"/> THIRD ANGLE <input type="checkbox"/> PROJECTION	DIMENSIONS: <input type="checkbox"/> mm <input type="checkbox"/> INCH <input checked="" type="checkbox"/> mm ONLY	SHT	REV					
		MAJOR = 0	CRITICAL = 0	4 PLACES ±0. INCH	3 PLACES ±0. INCH	2 PLACES ±0.3 INCH	1 PLACE ±0.3 INCH	ANGULAR: ± °	DRAWN BY & DATE W.Y. YANG 98/04/10	CHECKED BY & DATE B.K. CHOI 98/04/10	APPROVED BY & DATE C.W. LEE 98/04/10	CAD FILENAME S35960AA.DGN	MATERIAL NO. SEE CHART	DRAWING NO. SD-35960-010
A1	REV	DRAFT WHERE APPLICABLE MUST REMAIN WITHIN DIMENSIONS		THIS DRAWING CONTAINS INFORMATION THAT IS PROPRIETARY TO MOLEX INCORPORATED AND SHOULD NOT BE USED WITHOUT WRITTEN PERMISSION.				MOLEX INCORPORATED KOREA		TITLE: .250 W/B HEADER-IP		MX-A3		