

PLEASE CHECK WWW.MOLEX.COM FOR LATEST PART INFORMATION

Part Number: [0191930141](#)
Status: **Active**
Description: VersaKrimp™ Ring Tongue Terminal for 10-12 AWG Wire

Documents:

[Drawing \(PDF\)](#) [RoHS Certificate of Compliance \(PDF\)](#)

Agency Certification

CSA LR18689
 UL E32244

General

Product Family Ring and Spade Terminals
 Series [19193](#)
 Crimp Quality Equipment Yes
 Mil-Spec N/A
 Product Name VersaKrimp™
 Type Ring

Physical

Barrel Type Closed - Brazed
 Insulation None
 Material - Plating Mating Tin
 Packaging Type Bag
 Stud Size 5/16" (M8)
 Wire Size AWG 10, 12
 Wire Size mm² 3.30 - 5.00

Material Info

Old Part Number C-340-56

Reference - Drawing Numbers

Sales Drawing SD-19193-026



image - Reference only

EU RoHS

**ELV and RoHS
 Compliant**
**REACH SVHC
 Contains SVHC: No**
**Halogen-Free
 Status
 Not Reviewed**

China RoHS



**Need more information on product
 environmental compliance?**

Email productcompliance@molex.com
 For a multiple part number RoHS Certificate of
 Compliance, [click here](#)

Please visit the [Contact Us](#) section for any
 non-product compliance questions.

Search Parts in this Series

[19193Series](#)

Application Tooling | [FAQ](#)

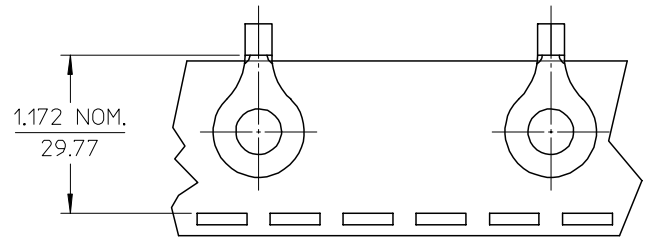
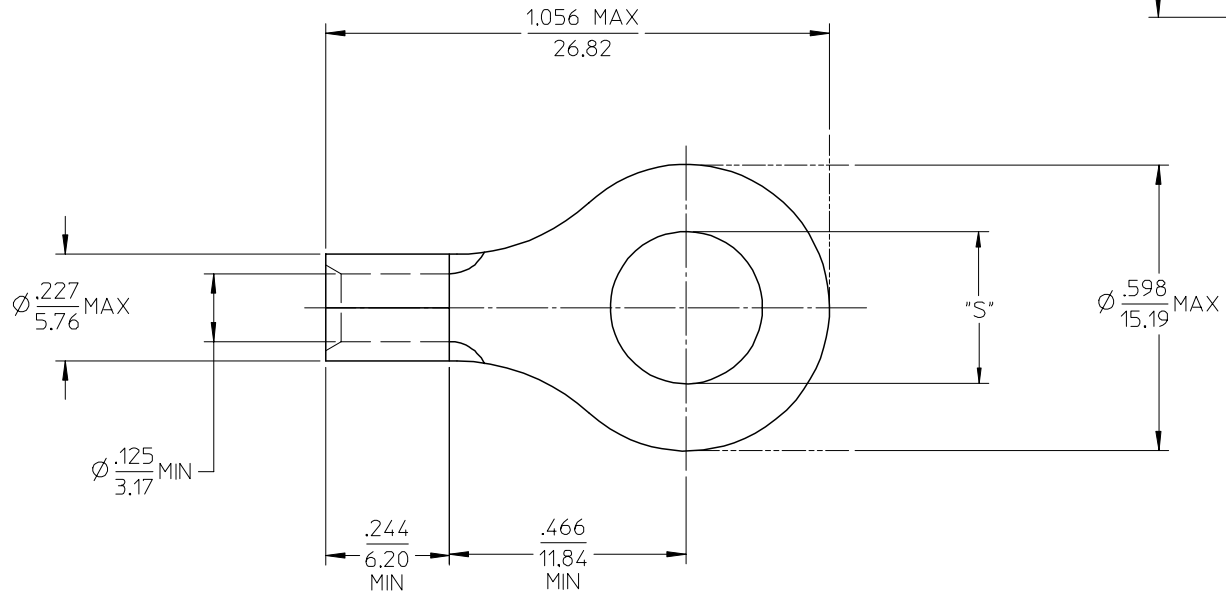
*Tooling specifications and manuals are
 found by selecting the products below.
 Crimp Height Specifications are then
 contained in the Application Tooling
 Specification document.*

Global

Description	Product #
Hand Crimp Tool	0640030100
Crimp Head for the AT-200™ Pneumatic Hand Tool	0640070100

MATERIAL NO. LOOSE PIECE	ENG. NO.	MATERIAL NO. TAPE MOUNTED	ENG. NO.	STUD SIZE	±.003 "S"	STOCK THICKNESS
191930132	C-340-10	191930133	C-340-10T	10	.198	.040 (1.02)
191930134	C-340-14	191930135	C-340-14T	1/4	.265	
191930141	C-340-56	191930142	C-340-56T	5/16	.328	
191930137	C-340-38	191930139	C-340-38T	3/8	.390	

19193



SALES DRAWING

- NOTE(S):
 1. MATERIAL: COPPER
 2. PLATING: ELECTROPLATE TIN
 3. ALL DIMENSIONS IN INCHES/(MM).
 4. WIRE SIZE: 12-10 AWG
 4.0-6.0 MM²

REVISED/UPDATE TO MX STDS EC NO: ETC2003-0315 DRWN:DMYRICK 2003/08/20 CHKD:HEB 2003/08/21 APPR:RDEROSS 2003/08/21	QUALITY SYMBOLS ▽ = 0 ▽ = 0	GENERAL TOLERANCES (UNLESS SPECIFIED)		SCALE 4:1	DESIGN UNITS INCH	THIRD ANGLE PROJECTION	REVISE ON CAD ONLY	
			mm	INCH	DIMENSION STYLE IN/MM		TITLE	
		4 PLACES	± ---	± ---	DRAWN BY DLM	DATE 03/06/13	RING TONGUE TERMINAL VERSAKRIMP 12-10 AWG	
		3 PLACES	± ---	± .005	CHECKED BY HEB	DATE 03/06/13		
2 PLACES	± 0.13	± .01	ANGULAR ± 1/2°		MOLEX INCORPORATED			
1 PLACE	± 0.25	± ---	DRAFT WHERE APPLICABLE		APPROVED BY RWD	DATE 03/06/13	MATERIAL NO. (SEE CHART)	
MUST REMAIN WITHIN DIMENSIONS				DOCUMENT NO. SD-19193-026	SHEET NO. 1 OF 1			
THIS DRAWING CONTAINS INFORMATION THAT IS PROPRIETARY TO MOLEX INCORPORATED AND SHOULD NOT BE USED WITHOUT WRITTEN PERMISSION								