

**PLEASE CHECK WWW.MOLEX.COM FOR LATEST PART INFORMATION**

**Part Number:** [0513461200](#)  
**Status:** **Active**  
**Description:** 3.30mm (.130") Pitch Wire-to-Wire Plug Housing, Positive Lock, Dual Row, 12 Circuits

**Documents:**

[Drawing \(PDF\)](#) [RoHS Certificate of Compliance \(PDF\)](#)  
[Product Specification PS-51347-001 \(PDF\)](#)

**General**

Product Family	Crimp Housings
Series	<a href="#">51346</a>
Product Name	N/A

**Physical**

Circuits (maximum)	12
Color - Resin	Natural
Gender	Male
Glow-Wire Compliant	No
Lock to Mating Part	Yes
Material - Resin	Nylon
Number of Rows	2
Packaging Type	Bag
Panel Mount	No
Pitch - Mating Interface (in)	0.130 In
Pitch - Mating Interface (mm)	3.30 mm
Polarized to Mating Part	Yes
Stackable	No
Temperature Range - Operating	-25°C to +85°C

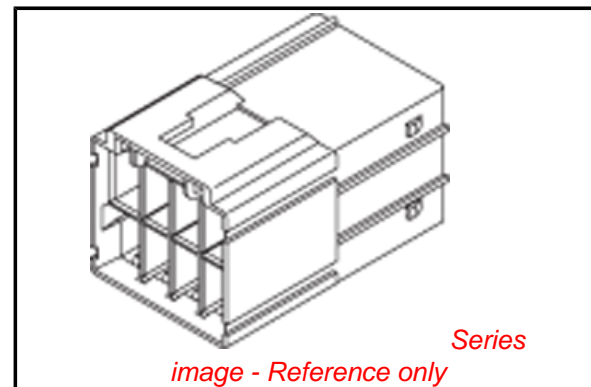
**Electrical**

Current - Maximum per Contact	4A
-------------------------------	----

**Material Info**

**Reference - Drawing Numbers**

Product Specification	PS-51347-001, RPS-51347-004, RPS-51347-005, RPS-51347-006, RPS-51347-007
Sales Drawing	SD-51346-001



**EU RoHS**

**ELV and RoHS  
Compliant**  
**REACH SVHC  
Contains SVHC: No**  
**Halogen-Free  
Status  
Not Reviewed**

**China RoHS**



**Need more information on product  
environmental compliance?**

Email [productcompliance@molex.com](mailto:productcompliance@molex.com)  
For a multiple part number RoHS Certificate of Compliance, [click here](#)

Please visit the [Contact Us](#) section for any non-product compliance questions.

**Search Parts in this Series**

[51346Series](#)

**Mates With**

[51347-1200](#)

**Use With**

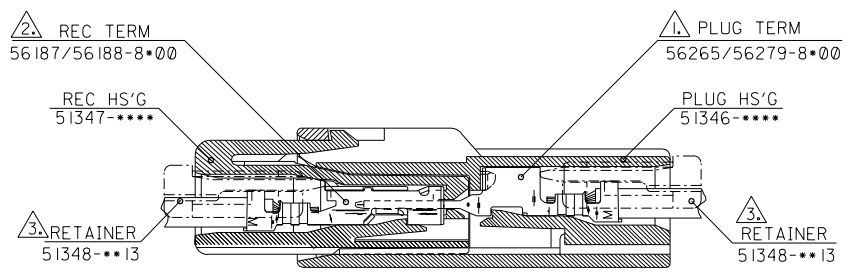
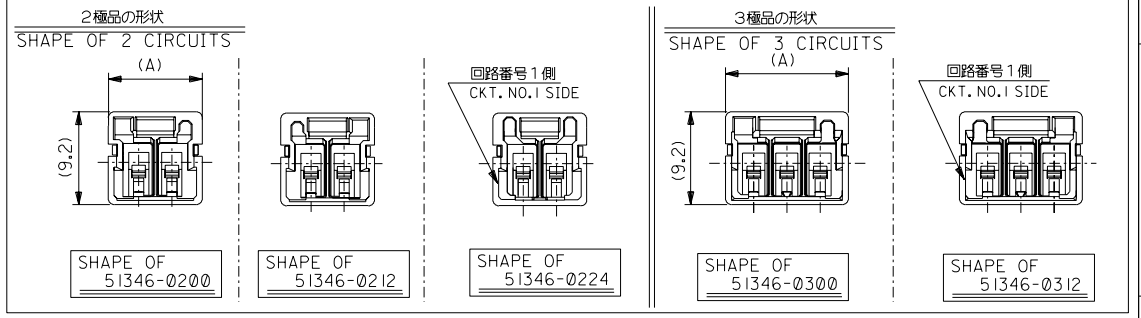
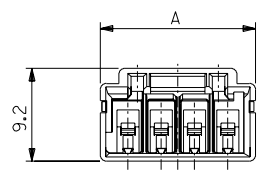
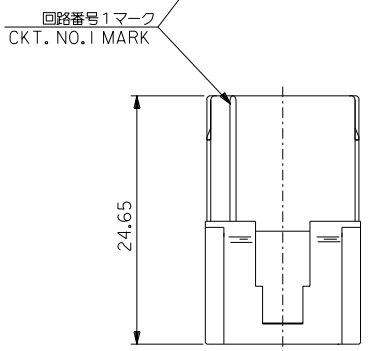
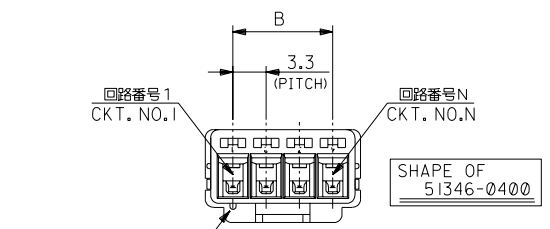
[51348](#) , [56265](#)



DWG. NO. SD-51346-001

本図は1列品を示す  
SINGLE ROW ASS'Y

各種形状を下記に示す。  
尚、嵌合間口にて誤嵌合バリエーションを持たせている為組み合わせには注意して下さい。



ターミナル装着・嵌合状態図  
TERMINAL ASSEMBLY & MATING CONDITION

注記  
NOTES

- △ 適合ターミナル: 56265/56279シリーズ  
APPLICABLE TERMINAL: 56265/56279 SERIES
  - △ 適合ターミナル: 56187/56188シリーズ  
APPLICABLE TERMINAL: 56187/56188 SERIES
  - △ 適合リテーナー: 51348シリーズ  
APPLICABLE RETAINER: 51348 SERIES
4. 材料 MATERIAL : NYLON66, UL94V-0

51347-0400	51348-0413	NATURAL	9.9	15.1	4	51346-0400	51346-****
-0312	-0313	RED	6.6	12.1	3	-0312	
-0300	-0313	NATURAL	6.6	12.1	3	-0300	
-0224	-0213	BLUE	3.3	9.3	2	-0224	
-0212	-0213	RED	3.3	9.3	2	-0212	
51347-0200	51348-0213	NATURAL	3.3	9.3		51346-0200	

DO NOT SCALE DRAWING

64NO. DRWN: CH'K: APPR: 63NO. DRWN: CH'K: APPR: 62NO. DRWN: CH'K: APPR: 61NO. DRWN: CH'K: APPR: 60NO. DRWN: CH'K: APPR:	0 SEE SHEET 1	MATERIAL 材料 //	FINISH 仕上げ //	WIRE RANGE 適用電線範囲 //	INS. RANGE 被覆外径 //
--	------------------	-------------------	------------------	-------------------------	-----------------------

GENERAL TOLERANCES: (UNLESS SPECIFIED) 一般公差 10 UNDER 未満 30 UNDER 未満 30 OVER 以上 ANGLE 角度	±0.2 ±0.25 ±0.3 ±3°
---	------------------------------

SCALE 1/1 DESIGN UNITS <input checked="" type="checkbox"/> mm <input type="checkbox"/> INCH DRAWN BY & DATE <i>Y. Ota</i> '04/01/15 CHECKED BY & DATE <i>S. Ichikawa</i> APPROVED BY & DATE <i>Y. Ota</i> CAD FILENAME SD-51346-001.S02	DIMENSIONS: <input type="checkbox"/> mm <input type="checkbox"/> INCH <input checked="" type="checkbox"/> mm <input checked="" type="checkbox"/> mm ONLY DIMENSIONAL ANGLE PROJECTION <input type="checkbox"/> FIRST ANGLE <input checked="" type="checkbox"/> THIRD ANGLE TITLE: 3.3 mm WIRE TO WIRE CONN. PLUG HOUSING (SINGLE ROW) MOLEX MOLEX INCORPORATED
---	--

MATE WITH CONFORMABLE-RETAINER COLOR B A CKT. MATERIAL NO. MODEL NO.	SHT 2 REV OTHERWISE ON CAD ONLY
--	---------------------------------------