

**PLEASE CHECK WWW.MOLEX.COM FOR LATEST PART INFORMATION**

**Part Number:** **0334861602**  
**Status:** **Active**  
**Overview:** mx150 sealed connector system  
**Description:** 3.50mm (.138") Pitch MX150™ Hybrid Sealed Male Connector, Dual Row, 16 Circuits, Polarization B, without Connector Position Assurance, Gray

**Documents:**

<a href="#">3D Model</a>	<a href="#">Product Specification PS-33476-000 (PDF)</a>
<a href="#">Application Specification (PDF)</a>	<a href="#">RoHS Certificate of Compliance (PDF)</a>
<a href="#">Drawing (PDF)</a>	



**General**

Product Family	Crimp Housings
Series	33486
Comments	No Connector Position Assurance (CPA), Hybrid
More Detailed Tech Information	<a href="http://ewcap.uscarteams.org">http://ewcap.uscarteams.org</a>
Overview	<u>mx150 sealed connector system</u>
Product Name	MX150™

**Physical**

Circuits (maximum)	16
Circuits Detail	16
Color - Resin	Black, Gray (Light), Natural
Gender	Male
Glow-Wire Compliant	No
Keying to Mating Part	Yes
Lock to Mating Part	Yes
Material - Resin	Modified Polystyrene Alloy
Number of Rows	2
Packaging Type	Bag
Panel Mount	No
Pitch - Mating Interface (in)	0.138 In
Pitch - Mating Interface (mm)	3.50 mm
Polarized to Mating Part	Yes
Stackable	No
Temperature Range - Operating	-40°C to +125°C

**Electrical**

Current - Maximum per Contact	22A
-------------------------------	-----

**Material Info**

**Reference - Drawing Numbers**

Application Specification	AS-33472-100
Packaging Specification	PK-31300-514
Product Specification	PS-33476-000
Sales Drawing	SD-33486-161

<b>EU RoHS</b> <b>ELV and RoHS</b> <b>Compliant</b> <b>REACH SVHC</b> <b>Contains SVHC: No</b> <b>Halogen-Free</b> <b>Status</b> <b>Halogen-Free</b>	<b>China RoHS</b> 
---	--

**Need more information on product environmental compliance?**

Email [productcompliance@molex.com](mailto:productcompliance@molex.com)  
 For a multiple part number RoHS Certificate of Compliance, [click here](#)

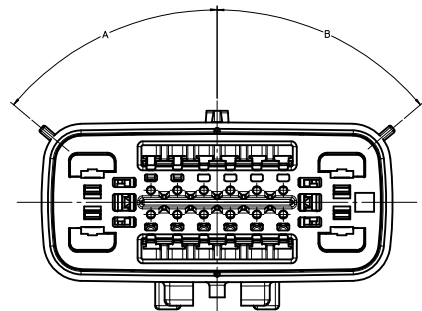
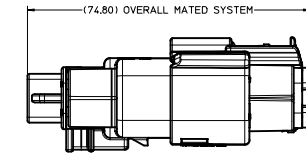
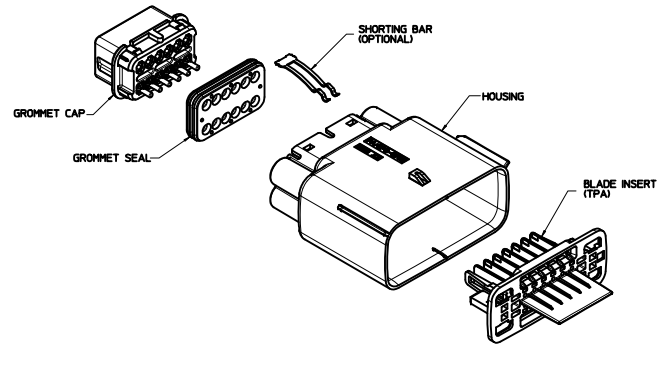
Please visit the [Contact Us](#) section for any non-product compliance questions.

**Search Parts in this Series**  
33486Series

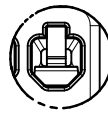
**Mates With**  
33476 Female Dual Row Hybrid Sealed Connector

**Use With**  
33000 MX150™ Tin (Sn) Male Terminal,  
33011 Gold (Au) Male Terminal

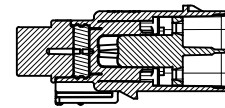
**PLEASE CHECK WWW.MOLEX.COM FOR LATEST PART INFORMATION**



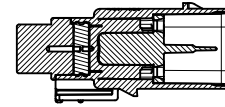
KEYING OPTION  
SEE TABLE  
SCALE 4:1



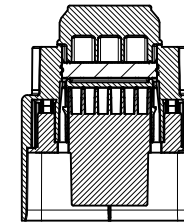
DETAIL 1  
SCALE 10:1  
USE ONLY BLADE TERMINAL P/N 31296-0008  
FOR ALL SHORTING BAR APPLICATIONS  
INSERT SHORTING BAR BLADE TERMINALS INTO  
GROHMET CAP OPENINGS AS SHOWN ABOVE



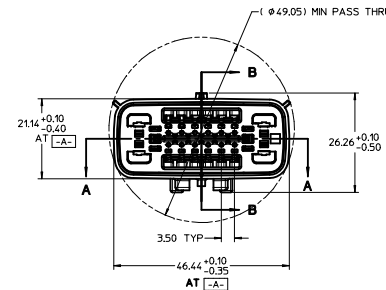
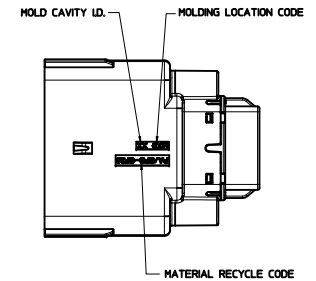
SECTION B-B  
INSERT SHOWN IN PRE-LOCK POSITION  
SEE NOTE 2



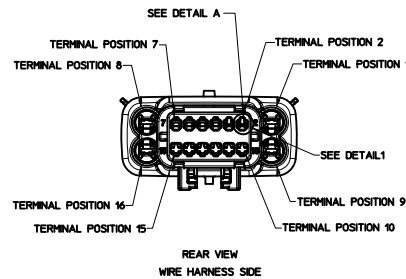
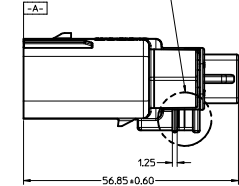
SECTION B-B  
INSERT SHOWN IN FINAL LOCK POSITION  
SEE NOTE 2



SECTION A-A



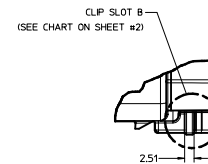
CLIP SLOT A  
SEE CHART ON SHEETS 2 THRU 4



SEE DETAIL A

TERMINAL POSITION 7  
TERMINAL POSITION 8  
TERMINAL POSITION 16  
TERMINAL POSITION 15  
TERMINAL POSITION 2  
TERMINAL POSITION 1  
TERMINAL POSITION 1  
SEE DETAIL 1  
TERMINAL POSITION 9  
TERMINAL POSITION 10

REAR VIEW  
WIRE HARNESS SIDE



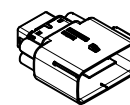
CLIP SLOT B  
(SEE CHART ON SHEET #2)

APPLIES TO 33486-1744, AND 33486-1745 ONLY  
SCALE 2:1

NOTES: UNLESS OTHERWISE STATED

- DESIGNED TO MATE WITH RECEPTACLE HOUSING ASSEMBLY SPECIFIED IN DRAWING SD-33476-161.
- ASSEMBLY SHIPPED WITH BLADE INSERT IN PRE-LOCKED POSITION (SEE SECTION B-B PRE-LOCK). UPON FULL TERMINAL ASSEMBLY, EACH BLADE INSERT MUST BE SNAPPED INTO ITS FINAL-LOCK POSITION. FORCE TO MOVE TPA FROM FINAL LOCK TO PRE-LOCK POSITION: 75 N MAX.
- FOR 15mm BLADE TERMINALS TO BE USED WITH THIS ASSEMBLY SEE MOLEX DRAWING SD-33500-001 FOR 2.8mm RECEPTACLE TERMINALS SEE TABLE.
- SYSTEM TO BE USED WITH WIRE WITHIN RANGE OF 1.5mm TO 2.5mm.
- MATERIAL: SPS/NYLON BLEND, 20% GLASS FILLED.
- FOR ASSEMBLIES W/SHORTING BARS, ASSEMBLE SHORTING BARS PER SPECIFICATION E-33546-001
- SHORTING BAR TERMINAL CRIMP ANGLE MUST BE BETWEEN -14 DEG. AND +35 DEG. AFTER INSTALLATION INTO THE CONNECTOR ASSEMBLY. REFER TO MOLEX DRAWING SD-31296-001 FOR DETAILS.
- SHALL CONFORM TO PACKAGING SPECIFICATION PK-31300-514.
- SHALL CONFORM TO PRODUCT SPECIFICATION PS-33476-000.
- ASSEMBLY CONFORMS TO SAE/USCAR-2 REV. 4 WITH THE FOLLOWING EXCEPTIONS:  
14 AWG TERMINAL INSERTION FORCES SHALL NOT EXCEED 42 NEWTONS.

TYO9 2.8mm CABLE SEAL TERMINAL		
FORD P/N MALE BLADE	GRIP SIZE	
SP2T-14421-GA	12	
IFT-14421-JA	14	
IFT-14421-HA	16	
IFT-14421-GA	18	
IFT-14421-FA	20	
IFT-14421-EA	22	



SCALE 1:1

<b>ENTER DESCRIPTION</b> EC NO. UAU2010-001 DRAWING THIS 7012 OR 01 APPROPRIATE 2010/04/04 REV.	<b>QUALITY SYMBOLS</b> 	<b>GENERAL TOLERANCES (UNLESS SPECIFIED)</b> mm INCH 4 PLACES +--- ±--- 3 PLACES +--- ±--- 2 PLACES +0.10 ±--- 1 PLACE ±0.3 ±--- ANGULAR ± 3°	<b>DIMENSION STYLE</b> MM ONLY DRAWN BY DATE JWSLEY 06-16-02 CHECKED BY DATE DRIFTHS 07-09-02 APPROVED BY DATE VKOSHY 2010/04/06	<b>SCALE</b> 2:1 <b>DESIGN UNITS</b> METRIC <b>THIRD ANGLE PROJECTION</b>	<b>TITLE</b> 15MM/2.8MM HYBRID CONNECTOR, BLADE 2 ROW HOUSING, SEALED, 16 WAY <b>MOLEX MOLEX INCORPORATED</b>	<b>MATERIAL NO.</b> SD-33486-161 <b>DOCUMENT NO.</b> SD-33486-161 <b>SHEET NO.</b> 1 OF 4
	<b>DRAFT WHERE APPLICABLE MUST REMAIN WITHIN DIMENSIONS</b>			<b>SEE CHART</b> THIS DRAWING CONTAINS INFORMATION THAT IS PROPRIETARY TO MOLEX INCORPORATED AND SHOULD NOT BE USED WITHOUT WRITTEN PERMISSION		





ASSEMBLY PART NUMBER	COLOR	KEYING OPTION	DIMENSIONS IN DEGREES		CAVITY TYPE & STATUS (X = PLUGGED, SB = SHORTING BAR)											SHORTING BAR	SB QTY	CLIP/SLIP TYPE	STATUS			
			A	B	2	3	4	5	6	7	10	11	12	13	14					15		
33486-1902	BLACK	A	50	50			X			X	X					X	X	X		-	-	A
33486-1903	BLACK	A	50	50			X								X	X	X		-	-	A	
33486-1904	BLACK	A	50	50				X							X	X	X		-	-	A	
33486-1905	BLACK	A	50	50	X										X	X	X		-	-	A	
33486-1906	BLACK	A	50	50					X								X		-	-	A	
33486-1907	YELLOW	A	50	50					X	X						X			-	-	A	
33486-1908	BLACK	A	50	50					X	X						X			-	-	A	
33486-1909	BLACK	A	50	50						X	X	X	X						-	-	A	
33486-1910	BLACK	A	50	50						X	X	X	X				X		-	-	A	
33486-1911	LT.GRAY	B	15	50					X	X	X	X	X	X	X	X	X		-	-	A	
33486-1912	BLACK	A	50	50	X			X				X	X	X	X	X		-	-	A		
33486-1913	BLACK	A	50	50				X				X	X	X	X	X		-	-	A		
33486-1914	BLACK	A	50	50	X			X				X	X	X	X	X		-	-	A		
33486-1915	BLACK	A	50	50								X	X	X	X	X		-	-	A		
33486-1916	BLACK	A	50	50					X						X			-	-	A		
33486-1917	BLACK	A	50	50	X	X	X	X					X	X	X	X		-	-	A		
33486-1918	BLACK	A	50	50	X	X	X					X	X	X	X	X		-	-	A		
33486-1919	BLACK	A	50	50	X	X			X	X					X	X		-	-	A		
33486-1920	BLACK	A	50	50	X	X	X						X	X	X	X		-	-	A		
33486-1921	BLACK	A	50	50	X	X	X	X			X	X	X	X	X	X		-	-	A		
33486-1922	BLACK	A	50	50	X				X	X					X			-	-	A		
33486-1923	BLACK	A	50	50	X	X	X	X		X	X	X	X	X	X	X		-	-	A		
33486-1924	BLACK	A	50	50	X	X	X	X		X	X	X	X	X	X	X		-	-	A		
33486-1925	BLACK	A	50	50					X	X					X	X	X		-	-	A	
33486-1926	BLACK	A	50	50			X	X	X	X	X	X	X	X	X	X		-	-	A		
33486-1927	BLACK	A	50	50	X								X	X	X	X		-	-	A		
33486-1928	LT.GRAY	B	15	50	X	X	X	X	X	X	X	X	X	X	X	X		-	-	A		
33486-1929	LT.GRAY	B	15	50					X	X								-	-	A		
33486-1930	BLACK	A	50	50	X			X	X	X	X	X	X	X	X	X		-	-	A		
33486-1931	BLACK	A	50	50	X			X	X	X	X	X	X	X	X	X		-	-	A		
33486-1932	BLACK	A	50	50	X			X					X	X				-	-	A		
33486-1933	BLACK	A	50	50	X				X				X	X	X	X		-	-	A		
33486-1934	BLACK	A	50	50				X	X	X	X	X	X	X	X	X		-	-	A		
33486-1935	BLACK	A	50	50		X	X	X	X	X	X	X	X	X	X	X		-	-	A		
33486-1936	BLACK	A	50	50	X			X				X	X	X	X	X		-	-	A		
33486-1937	BLACK	A	50	50	X			X			X	X	X	X	X	X		-	-	A		
33486-1938	BLACK	A	50	50	X				X		X	X	X	X	X	X		-	-	A		
33486-1939	BLACK	A	50	50			X	X				X			X			-	-	A		
33486-1940	BLACK	A	50	50		X	X			X	X	X	X	X	X	X		-	-	A		
33486-1941	BLACK	A	50	50											X			-	-	A		
33486-1942	BLACK	A	50	50	X	X		X	X	X	X	X	X	X	X	X		-	-	A		
33486-1943	BLACK	A	50	50				X	X				X					-	-	A		
33486-1944	LT.GRAY	B	15	50			X						X					-	-	A		
33486-1945	BLACK	A	50	50		X	X				X	X	X					-	-	A		
33486-1946	BLACK	A	50	50					X			X	X					-	-	A		
33486-1947	BLACK	A	50	50	X	X			X				X					-	-	A		
33486-1948	BLACK	A	50	50			X								X			-	-	A		
33486-1949	LT.GRAY	B	15	50			X											-	-	A		
33486-1950	BLACK	A	50	50					X	X				X	X	X		-	-	A		
33486-1951	BLACK	A	50	50					X					X	X	X		-	-	A		
33486-1952	BLACK	A	50	50						X				X	X			-	-	A		
33486-1953	BLACK	A	50	50						X	X				X	X		-	-	A		
33486-1954	YELLOW	H	50	32.5	X	X	SB	SB					SB	SB	X	YES	2	A	-	-	SALEABLE	
33486-1955	BLACK	A	50	50											X			-	-	-	A	
33486-1956	BLACK	A	50	50					X				X	X	X	X		-	-	-	A	
33486-1957	BLACK	A	50	50						X					X	X		-	-	-	A	
33486-1958	BLACK	A	50	50						X					X			-	-	-	A	

<b>ENTER DESCRIPTION</b> EC NO. UAU2010-001 DRAWN BY THIS 2010/06/04 CHECKED BY THIS 2010/06/04 APPROVED BY THIS 2010/06/04 APPROVED BY THIS 2010/06/04	QUALITY SYMBOLS	GENERAL TOLERANCES (UNLESS SPECIFIED)	DIMENSION STYLE	SCALE	DESIGN UNITS	THIRD ANGLE PROJECTION	
	▽=0	mm INCH	MM ONLY	1:1	METRIC	☐	
	▽=0	4 PLACES ± --- ± ---	DRAWN BY DATE	JWESLEY 06-16-02	TITLE		15MM/2.8MM HYBRID CONNECTOR, BLADE 2 ROW HOUSING, SEALED, 16 WAY
	▽=0	3 PLACES ± --- ± ---	CHECKED BY DATE	DGRIFITHS 07-09-02	MATERIAL NO.		SD-33486-161
	▽=0	2 PLACES ± 0.10 ± ---	APPROVED BY DATE	VKOSHY 2010/04/06	DOCUMENT NO.		4 OF 4
	1 PLACE ± 0.3 ± ---	ANGULAR ± 3°	<b>SEE CHART</b> THIS DRAWING CONTAINS INFORMATION THAT IS PROPRIETARY TO MOLEX, INCORPORATED AND SHOULD NOT BE USED WITHOUT WRITTEN PERMISSION				