

**PLEASE CHECK WWW.MOLEX.COM FOR LATEST PART INFORMATION**

**Part Number:** [1050170001](#)

**Status:** **Active**

**Overview:** [micro\\_usb](#)

**Description:** 0.65mm (.026") Pitch Micro-USB B Receptacle, Right Angle, Bottom Mount, SMT, with Solder Tabs, Lead Free

**Documents:**

[3D Model](#)

[Product Specification PS-105017-001 \(PDF\)](#)

[Drawing \(PDF\)](#)

[RoHS Certificate of Compliance \(PDF\)](#)

**General**

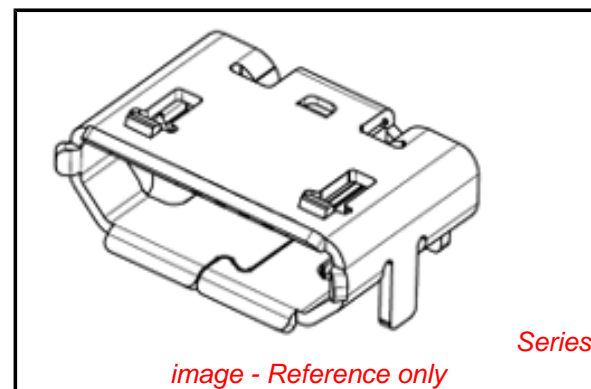
Product Family	I/O Connectors
Series	105017
Application	Wire-to-Board
Comments	Bottom Mount Type
Component Type	Receptacle
Overview	<a href="#">micro_usb</a>
Product Name	Micro-USB
Type	B

**Physical**

Boot Color	N/A
Circuits (Loaded)	5
Circuits (maximum)	5
Color - Resin	Black
Gender	Male
Keying to Mating Part	Yes
Lock to Mating Part	Yes
Material - Metal	Copper Alloy
Material - Plating Mating	Gold
Material - Plating Termination	Gold
Material - Resin	High Temperature Thermoplastic
Number of Rows	1
Orientation	Right Angle
PCB Locator	No
PCB Retention	Yes
Packaging Type	Embossed Tape on Reel
Panel Mount	No
Pitch - Mating Interface (in)	0.026 In
Pitch - Mating Interface (mm)	0.65 mm
Pitch - Term. Interface (in)	0.026 In
Pitch - Term. Interface (mm)	0.65 mm
Polarized to Mating Part	Yes
Polarized to PCB	Yes
Ports	1
Surface Mount Compatible (SMC)	Yes
Temperature Range - Operating	-20°C to +85°C
Termination Interface: Style	Surface Mount
Waterproof / Dustproof	No

**Electrical**

Current - Maximum per Contact	1.8A, 1A
Grounding to Panel	Yes
Shield Type	Full Shield
Shielded	Yes
Voltage - Maximum	100V AC (RMS)



**EU RoHS**

**ELV and RoHS  
Compliant**

**REACH SVHC**

Not Reviewed

**Halogen-Free**

**Status**

**Not Reviewed**

**China RoHS**



**Need more information on product  
environmental compliance?**

Email [productcompliance@molex.com](mailto:productcompliance@molex.com)  
For a multiple part number RoHS Certificate of  
Compliance, [click here](#)

Please visit the [Contact Us](#) section for any  
non-product compliance questions.

**Search Parts in this Series**

105017Series

**Mates With**

68784 Micro-USB Cable Plugs

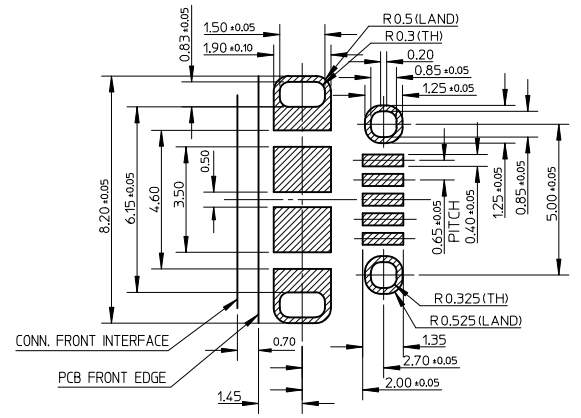
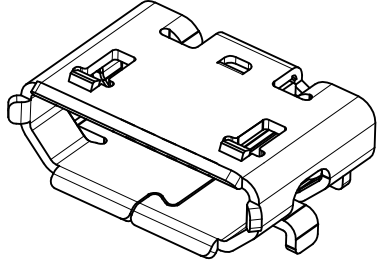
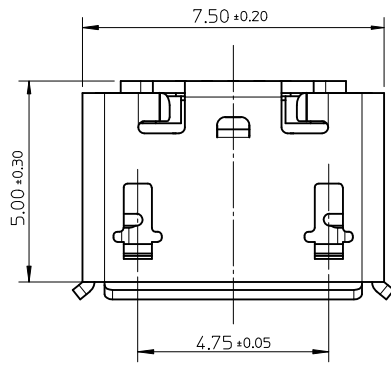
**Material Info**

**Reference - Drawing Numbers**

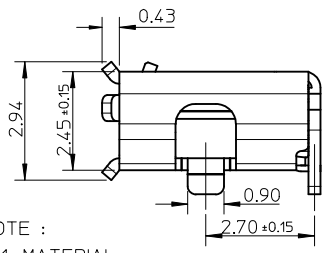
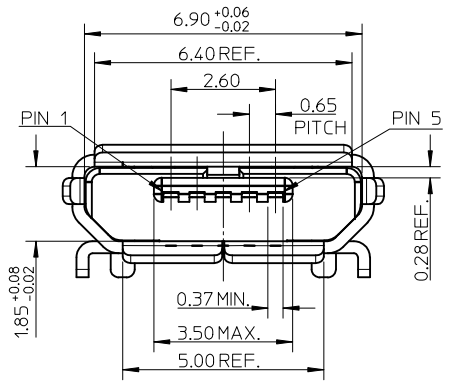
Packaging Specification	PK-105017-001
Product Specification	PS-105017-001
Sales Drawing	SD-105017-001

This document was generated on 05/31/2010

**PLEASE CHECK [WWW.MOLEX.COM](http://WWW.MOLEX.COM) FOR LATEST PART INFORMATION**

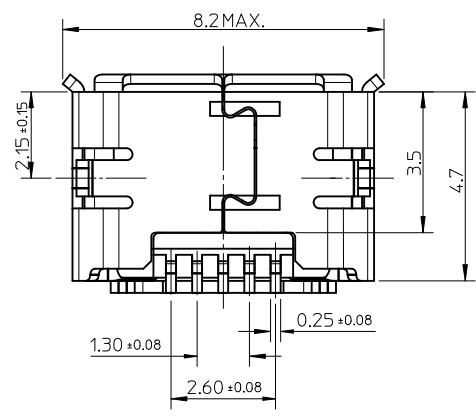
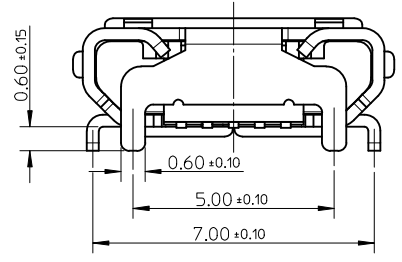


RECOMMENDED P.C.B. PATTERN LAYOUT



NOTE :

- MATERIAL :  
HOUSING : LCP.BLACK.UL94V-0  
TERMINAL : COPPER ALLOY THICKNESS = 0.15 MM  
SHIELD CASE : STAINLESS STEEL THICKNESS = 0.30 MM
- PLATING :  
TERMINAL: CONTACT AREA : GOLD FLASH OVER MINIMUM 0.75MICRON Pd/Ni.  
SOLDER TAIL AREA : GOLD FLASH.  
UNDER PLATING : NICKEL 2.0 MICRON MINIMUM.  
SHIELD : MATTE TIN 2.0 MICRON MINIMUM.  
UNDER PLATING : NICKEL 1.27 MICRON MINIMUM.
- TAIL & NAIL COPLANARITY 0.08 mm MAXIMUM.
- PRODUCT SPEC.: PS-105017-001, PACKAGE SPEC.: PK-105017-001
- COMPLIANT TO RoHS DIRECTIVE 2002/95/EC AND ELV DIRECTIVE 2000/53/EC.



PROPOSAL EC NO: SH2010-0257 DRWN: XJSONG 2009/12/14 CHYD: XJSONG 2009/12/15 APPR: RZHANG 2009/12/23	QUALITY SYMBOLS ▽=0 ⋄=0	GENERAL TOLERANCES (UNLESS SPECIFIED)		DIMENSION STYLE MM ONLY		SCALE 1:1	DESIGN UNITS METRIC	THIRD ANGLE PROJECTION			
		4 PLACES ± --- ± ---	mm INCH	DRAWN BY XJSONG	DATE 2008/01/23	TITLE MICRO USB B REC. BOTTOM MOUNT WITH THROUGH HOLE TYPE					
		3 PLACES ± --- ± ---		CHECKED BY JTIAN	DATE 2008/01/23	MOLEX INCORPORATED					
		2 PLACES ± 0.25 ± --- 1 PLACE ± 0.25 ± ---		APPROVED BY HWWANG	DATE 2008/01/23	MATERIAL NO. 105017-0001		DOCUMENT NO. SD-105017-001		SHEET NO. 1 OF 1	
A1	REV	DRAFT WHERE APPLICABLE MUST REMAIN WITHIN DIMENSIONS		SIZE A3	THIS DRAWING CONTAINS INFORMATION THAT IS PROPRIETARY TO MOLEX INCORPORATED AND SHOULD NOT BE USED WITHOUT WRITTEN PERMISSION						