

PLEASE CHECK WWW.MOLEX.COM FOR LATEST PART INFORMATION

Part Number: [0712514001](#)
Status: **Active**
Description: 1.27mm (.050") Pitch DIMM Socket, Vertical, Multiple Keys, Plastic Peg, 168 Circuits, 5.0V DRAM

Documents:

[3D Model](#) [Product Specification PS-71243-9999 \(PDF\)](#)
[Drawing \(PDF\)](#) [RoHS Certificate of Compliance \(PDF\)](#)

Agency Certification

CSA LR19980
 UL E29179

General

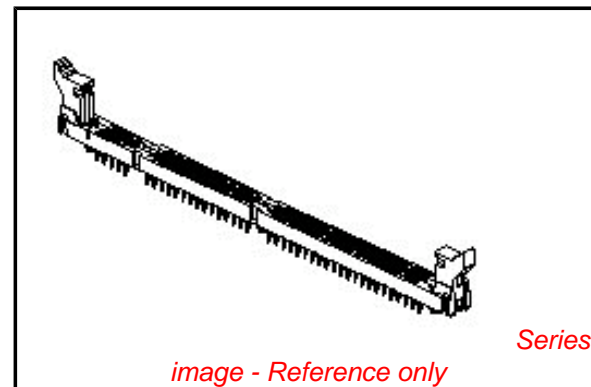
Product Family Memory Module Sockets
 Series [71251](#)
 Comments Function Key Center, Voltage Key Center
 Component Type Memory Module
 JEDEC Outline MO-161
 Product Name DIMM

Physical

Circuits (Loaded) 168
 Circuits (maximum) 168
 Color - Resin Black, Natural
 Durability (mating cycles max) 25
 Entry Angle Vertical (Top Entry)
 Flammability 94V-0
 Function Key Center
 Keying to Mating Part Yes
 Material - Metal Phosphor Bronze
 Material - Plating Mating Gold
 Material - Plating Termination Tin
 Material - Resin High Temperature Thermoplastic
 PC Tail Length (in) 0.127 In
 PC Tail Length (mm) 3.23 mm
 PCB Locator Yes
 PCB Retention Yes
 PCB Thickness Recommended (in) 0.062 In
 PCB Thickness Recommended (mm) 1.57 mm
 Packaging Type Tray
 Pitch - Mating Interface (in) 0.050 In
 Pitch - Mating Interface (mm) 1.27 mm
 Pitch - Term. Interface (in) 0.050 In
 Pitch - Term. Interface (mm) 1.27 mm
 Plating min: Mating (µin) 2
 Plating min: Mating (µm) 0.05
 Plating min: Termination (µin) 150
 Plating min: Termination (µm) 3.81
 Temperature Range - Operating -40°C to +85°C
 Termination Interface: Style Through Hole

Electrical

Current - Maximum per Contact 1A
 Voltage - Maximum 100V AC (RMS)/DC
 Voltage Key OFFSET LEFT



EU RoHS

ELV and RoHS Compliant
REACH SVHC
 Not Reviewed
Halogen-Free Status
Not Reviewed

China RoHS



Need more information on product environmental compliance?

Email productcompliance@molex.com
 For a multiple part number RoHS Certificate of Compliance, [click here](#)

Please visit the [Contact Us](#) section for any non-product compliance questions.

Search Parts in this Series

[71251Series](#)

Mates With

JEDEC MO-161 modules

Solder Process Data

Lead-free Process Capability

Wave Capable (TH only)

Material Info**Reference - Drawing Numbers**

Product Specification

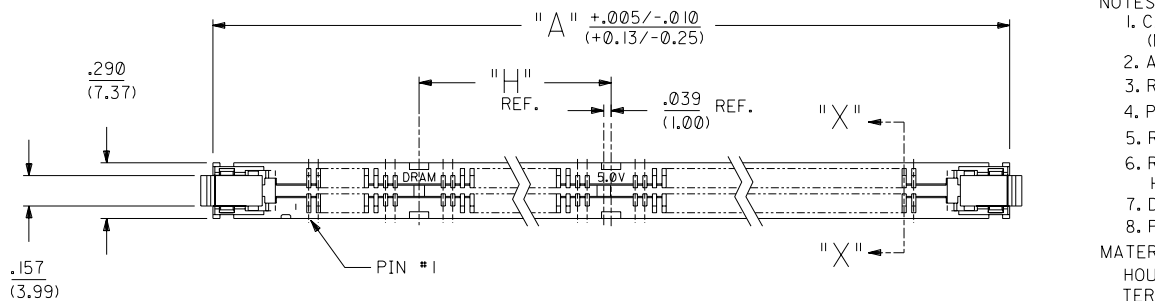
PS-71243-9999

Sales Drawing

SDA-71251-4***

This document was generated on 04/13/2010

PLEASE CHECK WWW.MOLEX.COM FOR LATEST PART INFORMATION



- NOTES:
- CARD SLOT ACCEPTS .050±.004 (1.27±0.10) MODULE THICKNESS. (MEASURED OVER P.C. PADS).
 - ALL PEGS ARE INTERFERENCE FITS TO PCB UNLESS NOTED ON THE DWG.
 - REFER TO PRODUCT SPEC PS-71243-9999 FOR PERFORMANCE SPECIFICATIONS.
 - PRODUCT IS PACKAGED IN TRAYS.
 - RECOMMENDED MODULE LAYOUT SHALL BE PER JEDEC MO-161.
 - RECOMMENDED PLATING ON MODULE PADS: 30 MICROINCH/(0.76 MICROMETER) MINIMUM HARD GOLD (Au) OVER 79 MICROINCH/(2.0 MICROMETER) MINIMUM NICKEL (Ni).
 - DIM. "G" APPLIES WHEN PEG IS PRESENT.
 - PRODUCT WILL HAVE DATE CODE STAMPED ON SIDE OF HOUSING.

MATERIALS:

HOUSING - GLASS FILLED LIQUID CRYSTAL POLYMER (LCP), UL 94V-0, COLOR: BLACK.

TERMINAL - PHOSPHOR BRONZE

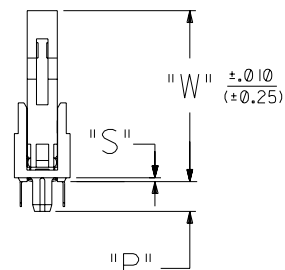
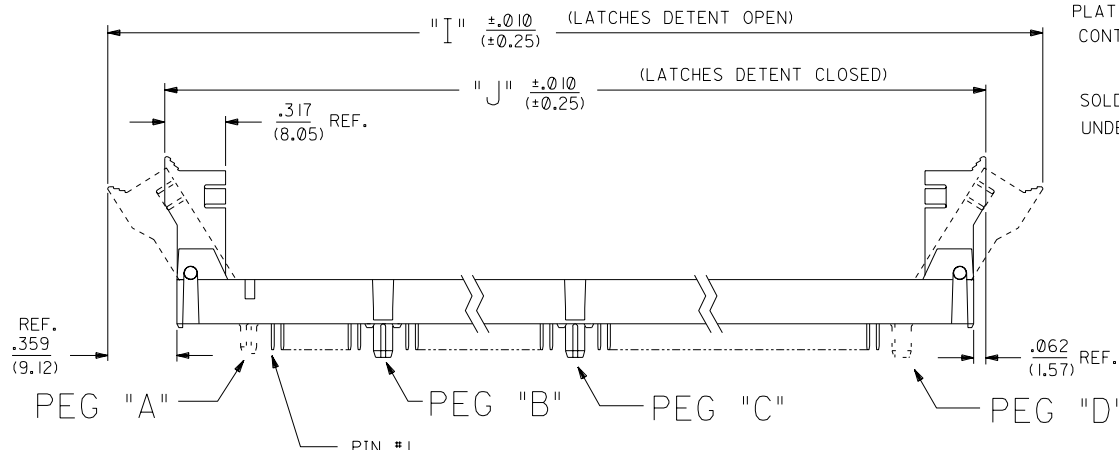
LATCHES - GLASS FILLED HIGH TEMPERATURE NYLON, UL 94V-0, COLOR: IVORY.

PLATING:

CONTACT AREA: GOLD (Au) FLASH; THICKNESS=2-10 MICROINCH/(0.05-0.25 MICROMETER), OVER PALLADIUM-NICKEL (Pd-Ni); THICKNESS=30 MICROINCH/(0.76 MICROMETER) MINIMUM.

SOLDER TAILS: TIN (Sn); THICKNESS=150 MICROINCH/(3.81 MICROMETER) MINIMUM.

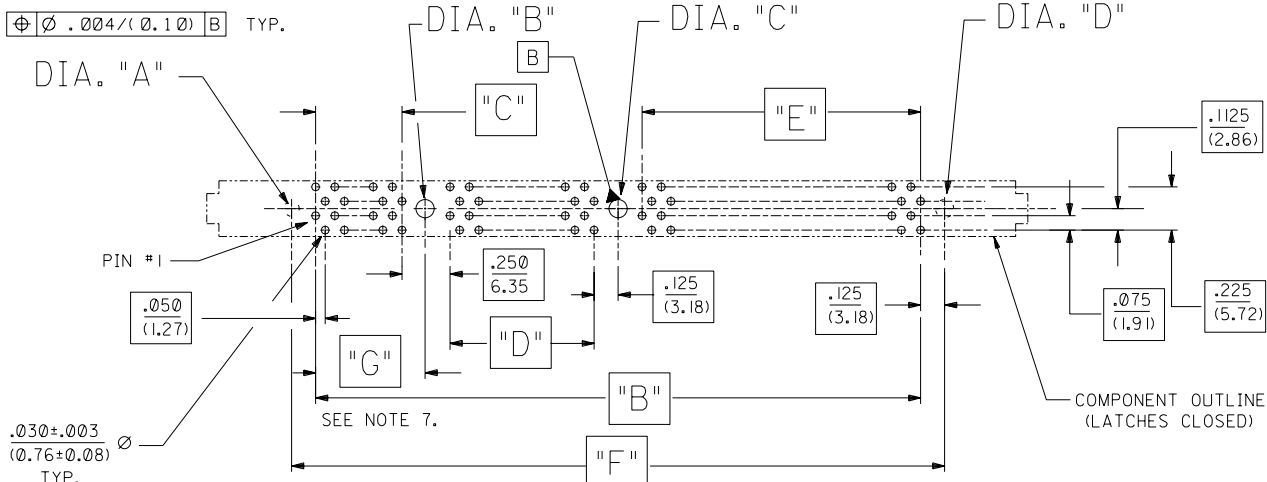
UNDERPLATE: NICKEL (Ni) OVER ENTIRE CONTACT.



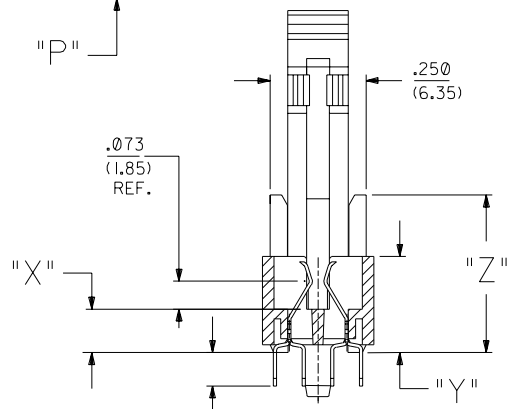
NOTE FOR LEAD FREE CONVERSION:

THE PRIMARY SHIPPING CARTON WILL BE LABELED "COMPLIANT TO RoHS DIRECTIVE 2002/95/EC AND ELV ANNEX II OF DIRECTIVE 2000/53/EC". CARTONS WITHOUT THIS LABEL MAY CONTAIN PRODUCT WITH LEAD.

71251-4001 SHOWN



RECOMMENDED P.C. BOARD HOLE PATTERN (CONNECTOR SIDE)



SECTION "X-X" SCALE 4:1

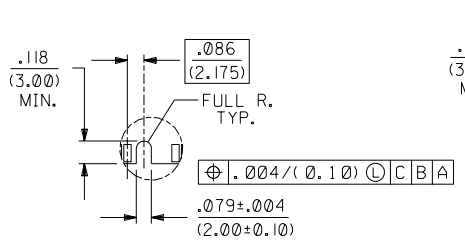
F1	ADD LEAD FREE NOTE ECN# UCPC2004-1132 DMORGAN 04/03/09
F	PRINT ERROR SHT2 ECN# UDT2002-0772 RWHITE 03/05/09
E	CHG Sn-Pb THICKNESS ECN# UDI1999-0454 DMORGAN 99/08/09
D	REVISED PER ECR# U61133 96-9-25 LAURX
C	REVISED PER ECR# U51140 8-4-95 JCL
BI	REVISED PER ECR# U51140 5-12-95 JCL
B	REVISED PER ECR# U50955 4-21-95 JCL
A	RELEASED PER ECR# U50818 2-15-95 JCL

DIMENSIONS SHOWN (METRIC) INCH		UNLESS OTHERWISE SPECIFIED TOLERANCES: ANGULAR ± 1/2°	
3 PLACE	± .005	---	---
2 PLACE	± ---	± 0.13	---
1 PLACE	---	± 0.25	---
DRAFT WHERE APPLICABLE MUST REMAIN WITHIN DIMENSIONS			
DRWG. BY: JCL	CHK'D. BY:	SCALE: 2:1	REV. 1
TITLE: .050/(1.27) PITCH MULTI-KEY DIMM, SHORT HANDLE LATCH SALES DRAWING		REVISE ONLY ON CAD SYSTEM	
PART NO. MOLEX INCORPORATED		SHEET NO. DATE	
60532		1 OF 2 02/15/95	
SEE CHART		SDA-71251-4***	
FILE NAME: S7125141.DGN		THIS DRAWING CONTAINS INFORMATION THAT IS PROPRIETARY TO MOLEX INC. AND SHOULD NOT BE USED WITHOUT WRITTEN PERMISSION.	

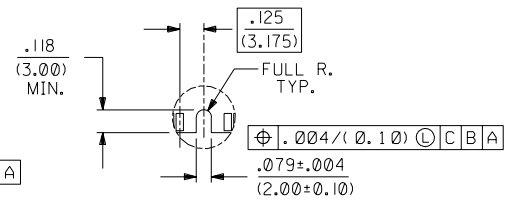
X=N.T.	ITEM NO. 71251-4***	CKT SIZE	DESCRIPTION	FUNCTION KEY	VOLTAGE KEY	DIA. 'A'	DIA. 'B'	DIA. 'C'	DIA. 'D'	DIM. 'A'	DIM. 'B'	DIM. 'C'	DIM. 'D'	DIM. 'E'	DIM. 'F'	DIM. 'G'	DIM. 'H'	DIM. 'I'	DIM. 'J'	DIM. 'K'	DIM. 'P'	DIM. 'S'	DIM. 'T'	DIM. 'W'	DIM. 'X'	DIM. 'Y'	DIM. 'Z'	
	-4001	168	5.0 VOLT DRAM	CENTER	OFFSET LEFT	NONE	.093+0.003/-0.000 (2.36+0.08/-0.00)	.093+0.003/-0.000 (2.36+0.08/-0.00)	NONE	5.550 (140.97)	4.550 (115.57)	.450 (11.43)	1.450 (36.83)	2.150 (54.61)	N.A.	.575 (14.60)	1.700 (43.18)	6.268 (159.21)	5.674 (144.12)	5.250 (133.35)	.155 (3.94)	.020 (0.51)	.127 (3.23)	.091 (22.63)	.113 (2.87)	.250 (6.35)	.410 (10.41)	
	-4002		SEE DRAWING NUMBER SDA-71251-4002																									

NOTES:

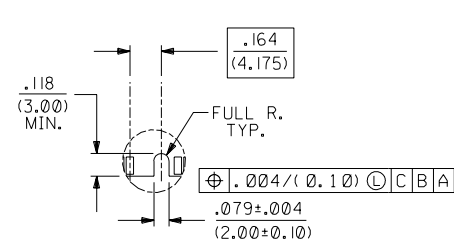
1. STRAIGHTNESS OF MODULE APPLIES TO THE AREA FROM THE BOTTOM OF THE CARD UP .157/(4.00).
2. IF TIE BARS ARE ATTACHED TO PADS, THE TIE BAR SHOULD BE ON AN INTERNAL LAYER, SO THAT THE REMNANT CANNOT CAUSE DAMAGE TO THE CONTACTS.



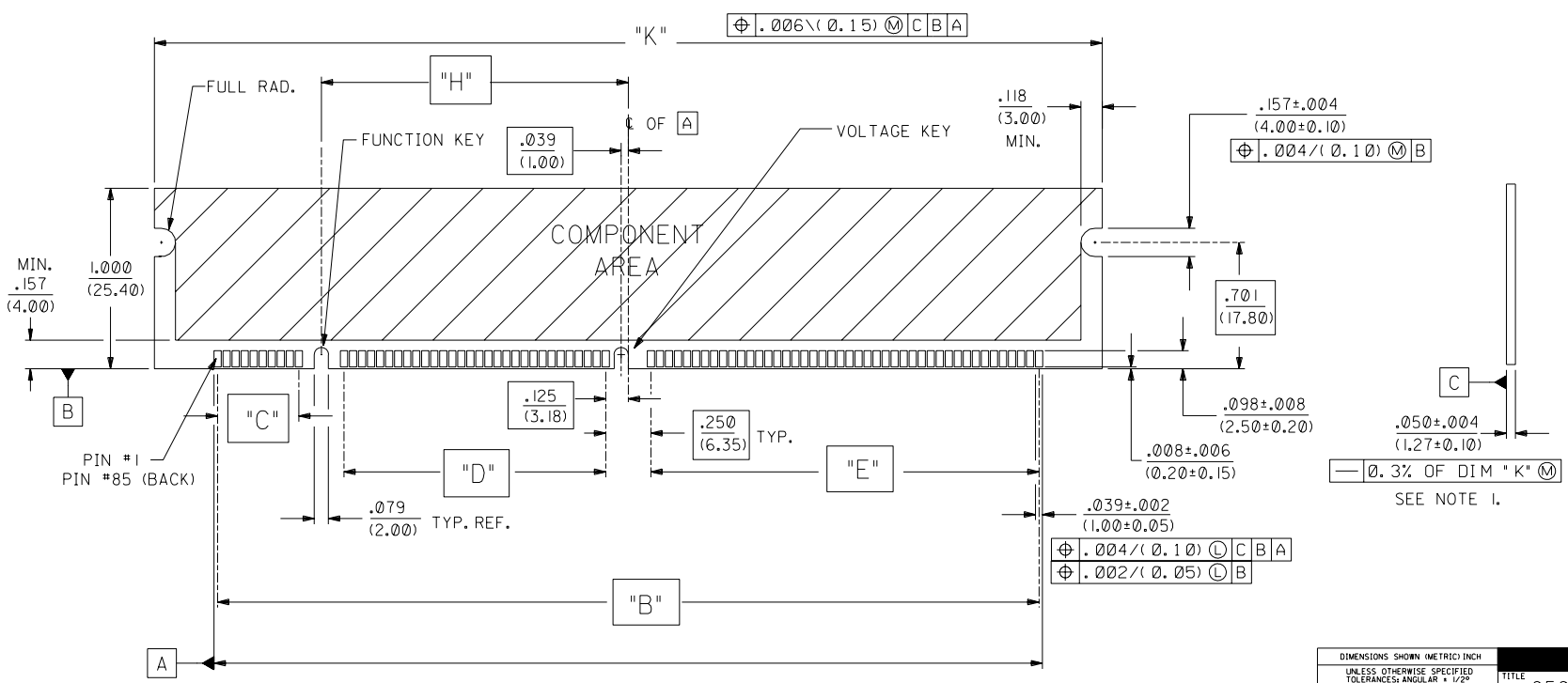
OFFSET LEFT KEY



CENTERED KEY



OFFSET RIGHT KEY



RECOMMENDED MODULE LAYOUT
168 CKT 5.0V DRAM SHOWN

F	SEE SHEET I
D	SEE SHEET I
C	SEE SHEET I
BI	SEE SHEET I
B	SEE SHEET I
A	SEE SHEET I

DIMENSIONS SHOWN (METRIC) INCH		UNLESS OTHERWISE SPECIFIED TOLERANCES: ANGULAR ± 1/2°	
3 PLACE	± .005	---	---
2 PLACE	± .01	± 0.13	---
1 PLACE	---	± 0.25	---
DRAFT WHERE APPLICABLE MUST REMAIN WITHIN DIMENSIONS			
DRWG. BY: JCL	CHK'D. BY:	SCALE: 2:1	
APP'D. BY:	FILE NAME: S7125142 DGN	THIS DRAWING CONTAINS INFORMATION THAT IS PROPRIETARY TO MOLEX INC. AND SHOULD NOT BE USED WITHOUT WRITTEN PERMISSION.	
PART NO. SDA-71251-4***		REVISE ONLY ON CAD SYSTEM	
TITLE: .050/(1.27) PITCH MULTI-KEY DIMM, SHORT HANDLE LATCH SALES DRAWING		SHEET NO. 2 DATE 02/15/95	
MOLEX INCORPORATED U.S.A. 60532		MFG, SH, REV, LTR, REVISIONS	