

PLEASE CHECK WWW.MOLEX.COM FOR LATEST PART INFORMATION

Part Number: **0541670808**
Status: **Active**
Description: 0.50mm (.020") Pitch SlimStack™ Receptacle, Surface Mount, Dual Row, Vertical, 3.00 and 4.00mm (.118" and .157") Stacking Heights, Lower Circuit Size Version, Black, 80 Circuits

Documents:

[3D Model](#)
[Drawing \(PDF\)](#)
[Product Specification PS-52991-003 \(PDF\)](#)
[Product Specification PS-54167-002 \(PDF\)](#)
[RoHS Certificate of Compliance \(PDF\)](#)

General

Product Family PCB Receptacles
 Series 54167
 Application Board-to-Board
 Product Name SlimStack™

Physical

Circuits (Loaded) 80
 Glow-Wire Compliant No
 Mated Height (in) 0.118 In, 0.157 In
 Mated Height (mm) 3.00 mm, 4.00 mm
 Material - Plating Mating Gold
 Material - Plating Termination Gold
 Number of Rows 2
 Orientation Vertical
 PCB Locator No
 PCB Retention None
 Packaging Type Embossed Tape on Reel
 Pitch - Mating Interface (in) 0.020 In
 Pitch - Mating Interface (mm) 0.50 mm
 Plating min: Mating (µin) 4
 Plating min: Mating (µm) 0.1
 Plating min: Termination (µin) 10
 Plating min: Termination (µm) 0.25
 Polarized to PCB No
 Surface Mount Compatible (SMC) N/A
 Temperature Range - Operating -40°C to +105°C
 Termination Interface: Style Surface Mount

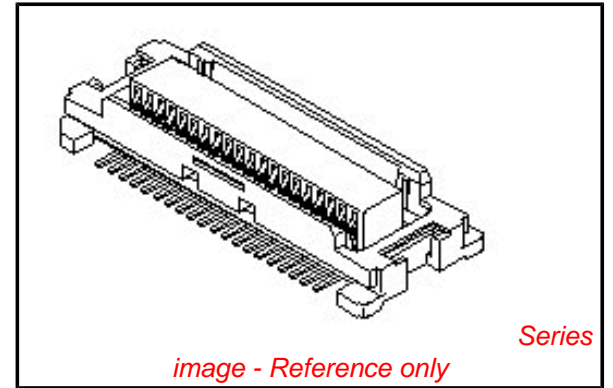
Electrical

Current - Maximum per Contact 0.5A
 Voltage - Maximum 50V

Material Info

Reference - Drawing Numbers

Product Specification PS-52991-003, PS-54167-002, RPS-52991-019
 Sales Drawing SD-54167-001, SD-54167-002



EU RoHS

ELV and RoHS Compliant
REACH SVHC
 Not Reviewed
Halogen-Free Status

China RoHS



Need more information on product environmental compliance?

Email productcompliance@molex.com
 For a multiple part number RoHS Certificate of Compliance, [click here](#)

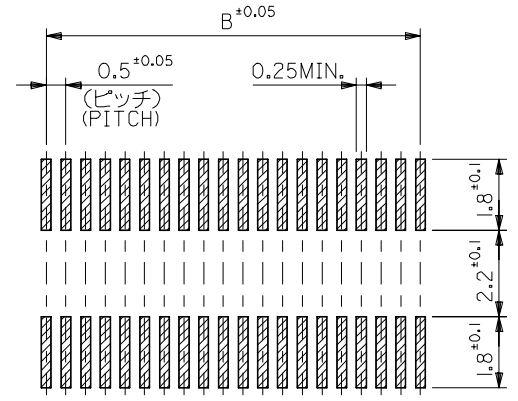
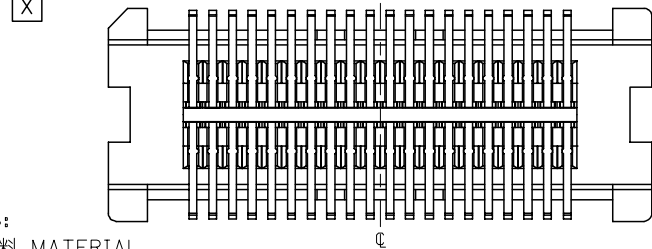
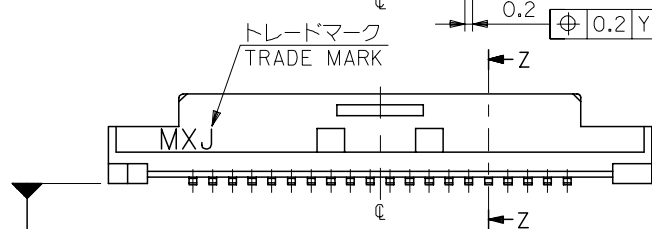
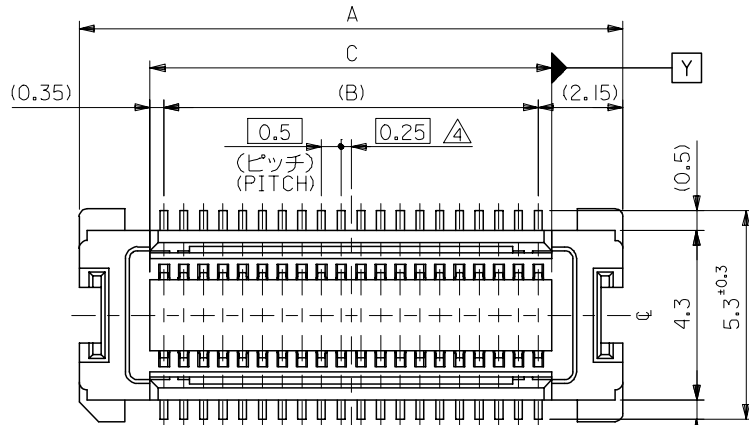
Please visit the [Contact Us](#) section for any non-product compliance questions.

Search Parts in this Series

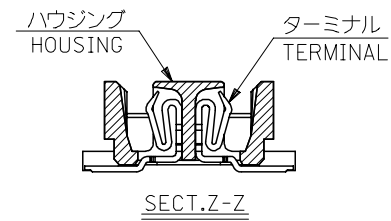
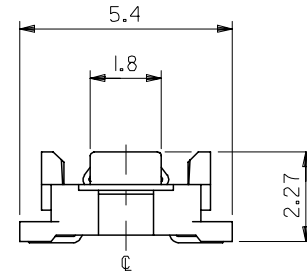
54167Series

Mates With

53916 , 53748



参考基板レイアウト (マウント面)
P.C. BOARD PATTERN
DIMENSION. (REF.)
(MOUNTING AREA)

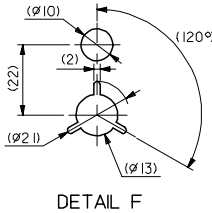
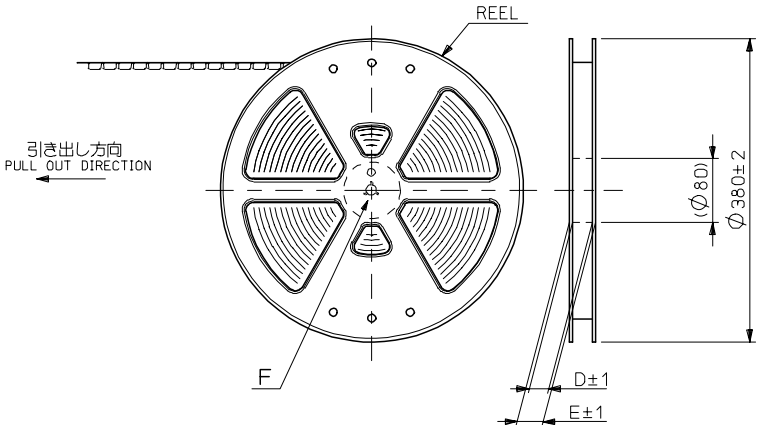


20.2	19.5	23.8	54167-0801	80
17.7	17.0	21.3	-0701	70
15.2	14.5	18.8	-0601	60
12.7	12.0	16.3	-0501	50
10.2	9.5	13.8	-0401	40
7.7	7.0	11.3	-0301	30
5.2	4.5	8.8	54167-0201	20
C	B	A	MATERIAL NO.	極数 CIRCUIT

注記 NOTES:

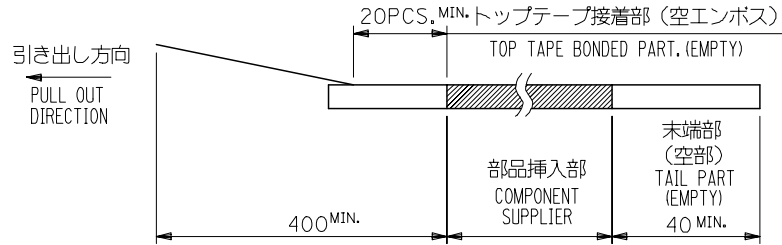
1. 使用材料 MATERIAL
ハウジング: LCPガラス入り (黒) UL94V-0
HOUSING: LCP(G.F.)(COLOR :BLACK),
UL94V-0
ターミナル: リン青銅 (t=0.15)
TERMINAL: PHOSPHOR BRONZE (t=0.15)
2. メッキ仕様 PLATING
全体仕上げ: 金メッキ 0.1 MICROMETER MIN.
ALL OVER : GOLD 0.1 MICROMETER MIN.
下地メッキ: ニッケルメッキ 1.5 MICROMETER MIN.
UNDER PLATING : NICKEL 1.5 MICROMETER MIN.
3. 基準面 [X] からのソルダーテールの半田付け面のズレ量は、上方向 0、
下方向 0.15MAX. とする。
MISALIGNMENT OF SOLDER TAIL FROM [X]
: UPPER DIRECTION 0, LOWER DIRECTION 0.15 MAX.
4. (全極数/2) = 偶数の場合に適用。
APPLY FOR (CIRCUIT/2)=EVEN.
5. 嵌合相手: 53748 シリーズ, 53916 シリーズ, 502280 シリーズ
MATE WITH : 53748 SERIES, 53916 SERIES, 502280 SERIES.
6. テール平坦度は、0.IMAX.
TAIL COPLANARITY TO BE 0.IMAX.

REVISED EC NO: J2007-0273 DRWN: TENAGASE 2006/07/28 CHKD: THARUYAMA 2006/08/03 APPR: NUKITA 2006/08/07	GENERAL TOLERANCES (UNLESS SPECIFIED)		DIMENSION STYLE MM ONLY		SCALE ---	DESIGN UNITS METRIC	THIRD ANGLE PROJECTION
	10 UNDER	±0.2	DRAWN BY S. AIHARA	DATE '96/11/28	TITLE 0.5 B/B CONN REC HSG ASSY(W/O BOSS, W/O NAIL) -LEAD FREE-		
	10 OVER 30 UNDER	±0.25	CHECKED BY M. SASAO	DATE '01/12/26	MOLEX INCORPORATED		
	30 OVER	±0.3	APPROVED BY M. SASAO	DATE '01/12/26	DOCUMENT NO. SD-54167-001	SHEET NO. 1 OF 1	
D	ANGULAR	±3 °	MATERIAL NO. SEE CHART		THIS DRAWING CONTAINS INFORMATION THAT IS PROPRIETARY TO MOLEX INCORPORATED AND SHOULD NOT BE USED WITHOUT WRITTEN PERMISSION		
	DRAFT WHERE APPLICABLE MUST REMAIN WITHIN DIMENSIONS		SIZE A3				

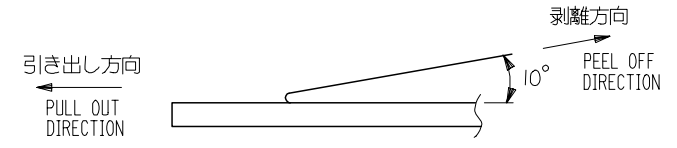


NOTES

- 製品詳細寸法については図面 SD-54167-001 を参照下さい。
RE DETAILED DIMENSION, SEE SD-54167-001
- 梱包数量：3000個/リール
NUMBER OF CONNECTORS : 3000PCS/REEL
- リードテープ長さ LEAD TAPE LENGTH



- トップテープの剥離強度：0.1N~1.3 (10gf~130gf) (剥離方向は下図参照) 尚、本規格値は出荷時に適用。(但し、輸送時に剥離が発生しないこと。)
PEELING OFF FORCE OF TOP TAPE : 0.1N~1.3 (10gf~130gf)
(PEELING DIRECTION AS SHOWN IN FOLLOWING FIG.)
THIS REQUIREMENT SHOULD BE APPLIED AT SHIPMENT.
PEEL OFF SHOULD NOT BE ALLOWED , DURING TRANSPORTATION.



- 材料(MATERIAL)
キャリアテープ(CARRIER TAPE) : ポリプロピレン(POLYPROPYLENE)
トップテープ(TOPTAPE) : PET , PE , PEF
リール(REEL) : ポリスチレン (PS) <リサイクル材を含む>
POLYSTYREN(PS) <RECYCLE MATERIAL CONTAINED>

54167***8 MODEL NO.

REVISED EC NO: J2006-0604 DRAWN BY: DR.WANIDA 2005/08/31 CHKD BY: TOYODA 2005/09/01 APPR: NUKITA 2005/09/09	GENERAL TOLERANCES (UNLESS SPECIFIED)		DIMENSION STYLE MM ONLY	SCALE ---	DESIGN UNIT'S METRIC	THIRD ANGLE PROJECTION
	10 UNDER	± 0.2	DRAWN BY S. AIHARA	DATE '96/11/25	TITLE 0.5 B/B CONN REC HSG ASSY EMBSTP PKG -LEAD FREE-	
	10 OVER 30 UNDER	± 0.25	CHECKED BY T. ITO	DATE '00/12/06	MOLEX INCORPORATED	
	30 OVER	± 0.3	APPROVED BY M. FUKUSHIMA	DATE '00/12/06	DOCUMENT NO. SD-54167-002	SHEET NO. 1 OF 6
	ANGULAR	$\pm 3^\circ$	MATERIAL NO. SEE CHART			
DRAFT WHERE APPLICABLE MUST REMAIN WITHIN DIMENSIONS		SIZE A3	THIS DRAWING CONTAINS INFORMATION THAT IS PROPRIETARY TO MOLEX INCORPORATED AND SHOULD NOT BE USED WITHOUT WRITTEN PERMISSION			

10 9 8 7 6 5 4 3 2 1

F

E

D

C

B

A

F

E

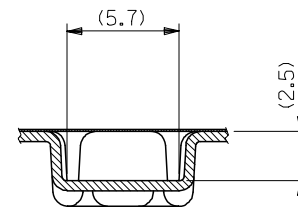
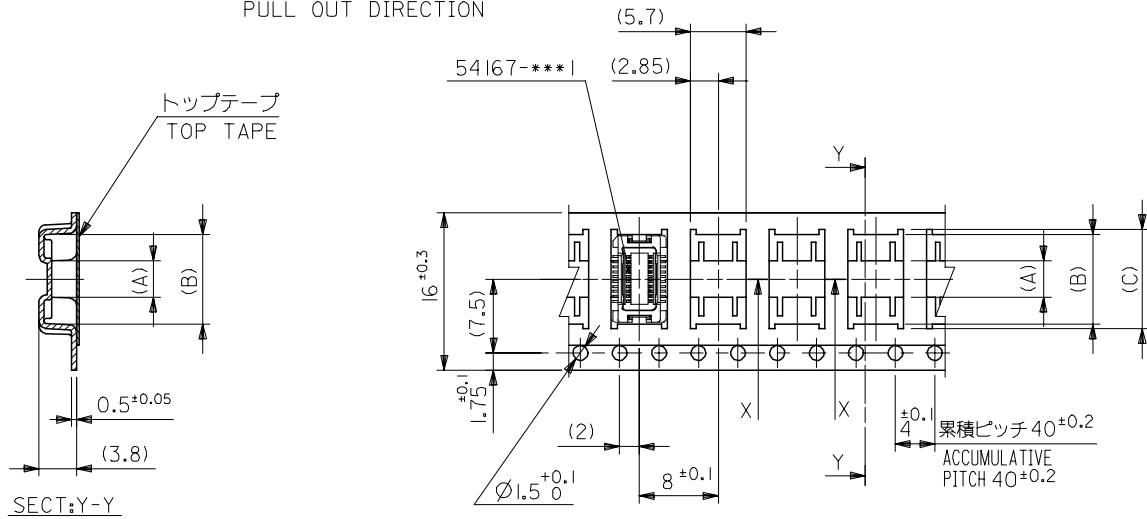
D

C

B

A

引き出し方向
PULL OUT DIRECTION



SECT:X-X

16mm幅キャリアテープ
16mm WIDTH CARRIER TAPE

REVISED		EC NO: J2006-0604		2005/08/31		2005/08/31		2005/09/01		2005/09/01		2005/09/09		2005/09/09	
DRWN:NAIDA		CHKD:TOYODA		APPR:NUKITA		DESCRIPTION		GENERAL TOLERANCES (UNLESS SPECIFIED)		DIMENSION STYLE		SCALE		DESIGN UNITS	
10 UNDER		± ---		10 OVER		30 UNDER		± ---		MM ONLY		---		METRIC	
30 OVER		± ---		ANGULAR		± --- °		DRAFT WHERE APPLICABLE MUST REMAIN WITHIN DIMENSIONS		DRAWN BY		DATE		TITLE	
MATERIAL NO.		SEE CHART		DOCUMENT NO.		SD-54167-002		SHEET NO.		2 OF 6		MATERIAL NO.		54167-0208	
SIZE		A3		THIS DRAWING CONTAINS INFORMATION THAT IS PROPRIETARY TO MOLEX INCORPORATED AND SHOULD NOT BE USED WITHOUT WRITTEN PERMISSION		CARRIER TAPE WIDTH		E		D		(C)		(B)	
16		21.4		17.4		10.1		9.1		3.7		54167-0208		20	

9

8

7

6

5

4

3

2

10 9 8 7 6 5 4 3 2 1

F

E

D

C

B

A

F

E

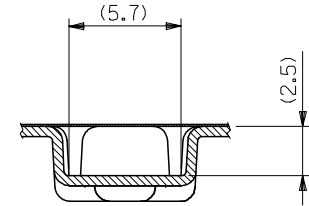
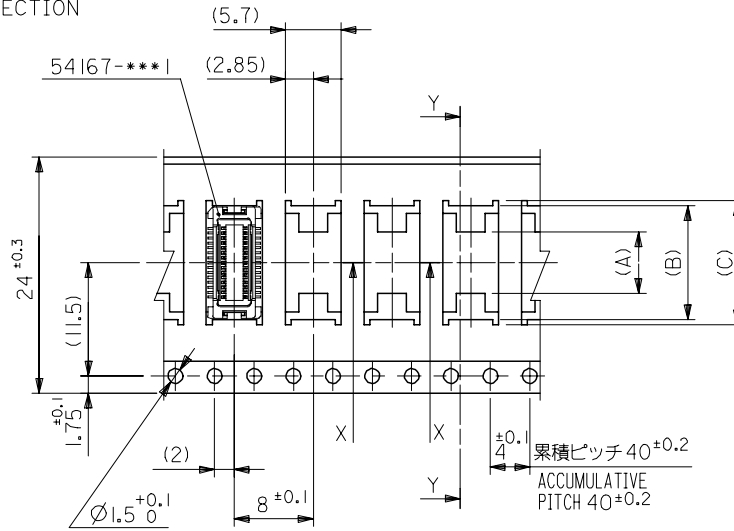
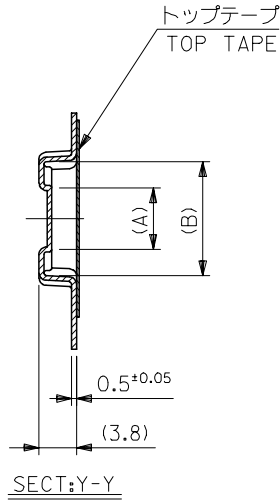
D

C

B

A

引き出し方向
PULL OUT DIRECTION



24mm幅キャリアテープ
24mm WIDTH CARRIER TAPE

24	29.4	25.4	15.1	14.1	7.4	54167-0408	40
			12.6	11.6	4.9	54167-0308	30
キャリアテープ幅 CARRIER TAPE WIDTH	E	D	(C)	(B)	(A)	MATERIAL NO.	極数 CIRCUIT

REVISED EC NO: J2006-0604 DRW:NAIDA 2005/08/31 CHK:KTOYODA 2005/09/01 APP:NUKITA 2005/09/09	54167***8 MODEL NO.		DIMENSION STYLE MM ONLY		SCALE ---	DESIGN UNITS METRIC	THIRD ANGLE PROJECTION
	GENERAL TOLERANCES (UNLESS SPECIFIED)		DRAWN BY S. AIHARA	DATE '97/05/09	TITLE 0.5 B/B CONN REC HSG ASSY EMBSTP PKG -LEAD FREE-		
	10 UNDER	± ---	CHECKED BY T. ITO	DATE '00/12/06	APPROVED BY M. FUKUSHIMA		
	10 OVER 30 UNDER	± ---	DATE '00/12/06		MOLEX INCORPORATED		
30 OVER	± ---	ANGULAR ± --- °		MATERIAL NO.	DOCUMENT NO. SD-54167-002	SHEET NO. 3 OF 6	
DRAFT WHERE APPLICABLE MUST REMAIN WITHIN DIMENSIONS		SEE CHART		THIS DRAWING CONTAINS INFORMATION THAT IS PROPRIETARY TO MOLEX INCORPORATED AND SHOULD NOT BE USED WITHOUT WRITTEN PERMISSION			

9

8

7

6

5

4

3

2

10 9 8 7 6 5 4 3 2 1

F

E

D

C

B

A

F

E

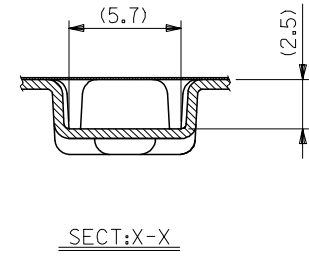
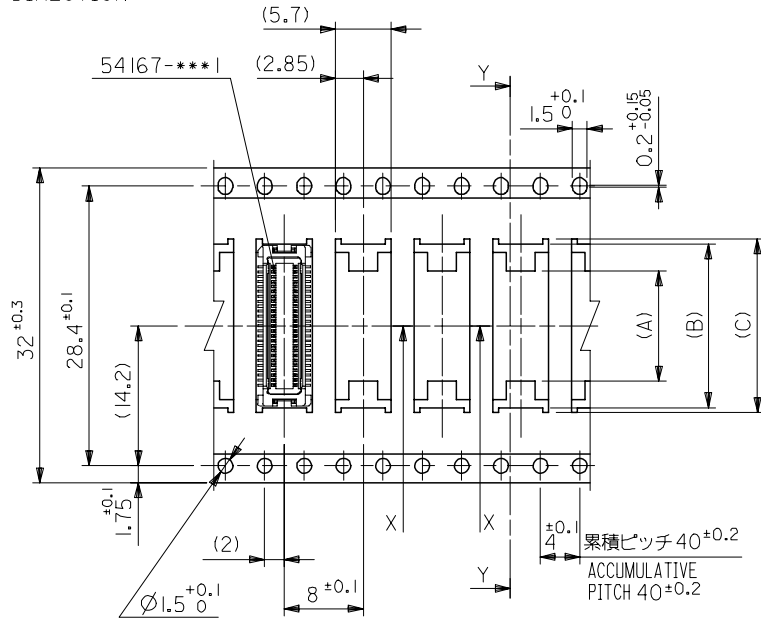
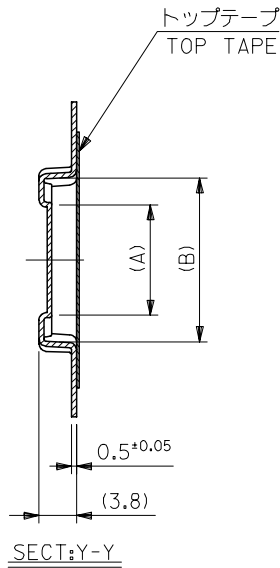
D

C

B

A

引き出し方向
PULL OUT DIRECTION



32mm幅キャリアテープ
32mm WIDTH CARRIER TAPE

REVISED		EC NO: J2006-0604		2005/08/31		2005/09/01		2005/09/09		54167***8		MODEL NO.		32		37.4		33.4		17.6		16.6		11.2		54167-0508		50	
DRAWN BY		DATE		TITLE		SCALE		DESIGN UNITS		THIRD ANGLE PROJECTION		DIMENSION STYLE		CARRIER TAPE 幅		E		D		(C)		(B)		(A)		MATERIAL NO.		極数	
S.AIHARA		'96/11/25		0.5 B/B CONN REC HSG		---		METRIC		◎ □		MM ONLY		CARRIER TAPE 幅		E		D		(C)		(B)		(A)		54167-0508		50	
CHECKED BY		DATE		ASSY EMBSTP PKG																									
T. ITO		'00/12/06		-LEAD FREE-																									
APPROVED BY		DATE		MOLEX INCORPORATED																									
M. FUKUSHIMA		'00/12/06		MOLEX INCORPORATED																									
MATERIAL NO.		DOCUMENT NO.		SD-54167-002																									
SEE CHART		SD-54167-002		4 OF 6																									
SIZE		THIS DRAWING CONTAINS INFORMATION THAT IS PROPRIETARY TO MOLEX INCORPORATED AND SHOULD NOT BE USED WITHOUT WRITTEN PERMISSION																											
A3																													

9

8

7

6

5

4

3

2

10 9 8 7 6 5 4 3 2 1

F

E

D

C

B

A

F

E

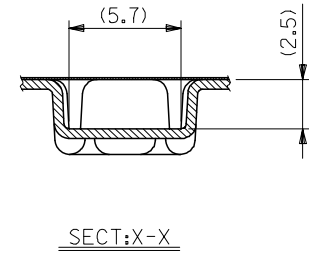
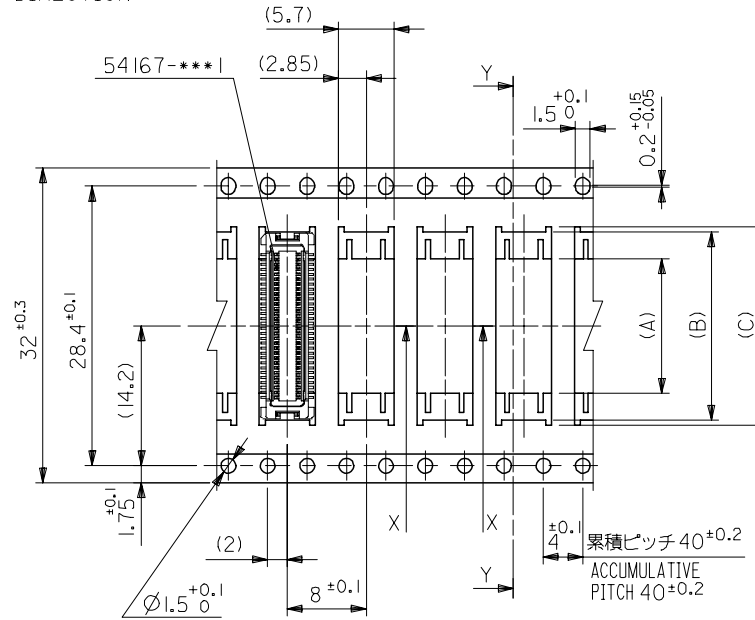
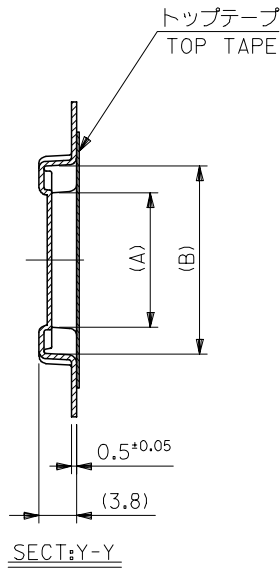
D

C

B

A

引き出し方向
PULL OUT DIRECTION



32mm幅キャリアテープ
32mm WIDTH CARRIER TAPE

REVISED		EC NO: J2006-0604		2005/08/31		2005/09/01		2005/09/09		DRW:NAIDA		CHK:KTOYODA		APP:NUKITA		DESCRIPTION		54167***8		MODEL NO.		32		37.4		33.4		20.1		19.1		13.7		54167-0608		60			
10 UNDER		± ---		10 OVER		30 UNDER		± ---		30 OVER		± ---		ANGULAR		±1 °		DRAFT WHERE APPLICABLE MUST REMAIN WITHIN DIMENSIONS		DRAWN BY T. YASUI		DATE '97/05/14		CHECKED BY T. ITO		DATE '00/12/06		APPROVED BY M. FUKUSHIMA		DATE '00/12/06		TITLE 0.5 B/B CONN REC HSG ASSY EMBSTP PKG -LEAD FREE-		MATERIAL NO.		CIRCUIT			
DIMENSION STYLE MM ONLY		SCALE ---		DESIGN UNITS METRIC		THIRD ANGLE PROJECTION		DRAWN BY T. YASUI		DATE '97/05/14		CHECKED BY T. ITO		DATE '00/12/06		APPROVED BY M. FUKUSHIMA		DATE '00/12/06		MATERIAL NO.		CIRCUIT		32		37.4		33.4		20.1		19.1		13.7		54167-0608		60	
MATERIAL NO.		DOCUMENT NO.		SHEET NO.		SEE CAHRT		SD-54167-002		5 OF 6		MOLEX INCORPORATED		THIS DRAWING CONTAINS INFORMATION THAT IS PROPRIETARY TO MOLEX INCORPORATED AND SHOULD NOT BE USED WITHOUT WRITTEN PERMISSION																									

10 9 8 7 6 5 4 3 2 1

F

E

D

C

B

A

F

E

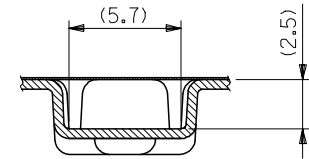
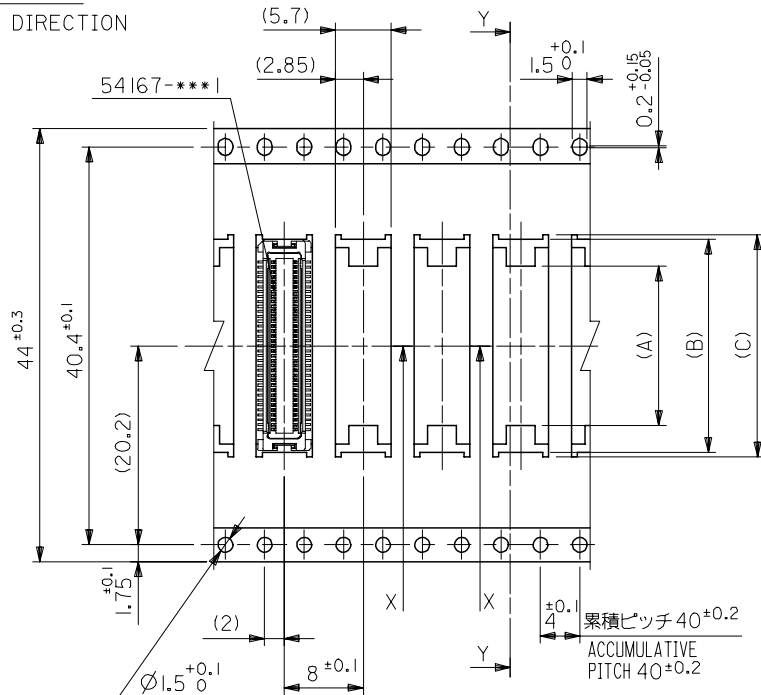
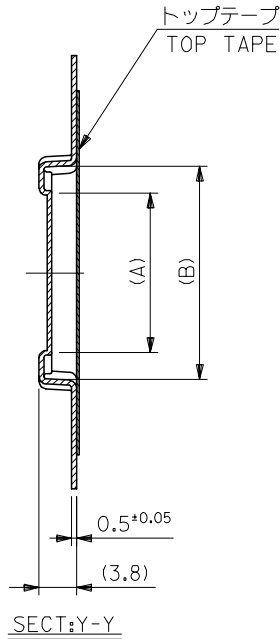
D

C

B

A

引き出し方向
PULL OUT DIRECTION



44mm幅キャリアテープ
44mm WIDTH CARRIER TAPE

REVISED	EC NO: J2006-0604	DRW:NAIDA	2005/08/31	CHK:KTOYODA	2005/09/01	APP:NUKITA	2005/09/09	DESCRIPTION	54167***8	MODEL NO.	44	49.4	45.4	25.1	24.1	17.5	54167-0808	80										
GENERAL TOLERANCES (UNLESS SPECIFIED)									DIMENSION STYLE MM ONLY			SCALE ---		DESIGN UNITS METRIC		THIRD ANGLE PROJECTION												
10 UNDER ± ---									DRAWN BY S. AIHARA			DATE '98/10/23		TITLE 0.5 B/B CONN REC HSG ASSY EMBSTP PKG -LEAD FREE-														
10 OVER 30 UNDER ± ---									CHECKED BY T. ITO			DATE '00/12/06		MOLEX INCORPORATED														
30 OVER ± ---									APPROVED BY M. FUKUSHIMA			DATE '00/12/06		DOCUMENT NO. SD-54167-002														
ANGULAR ± --- °									MATERIAL NO.			SEE CHART		SHEET NO. 6 OF 6														
DRAFT WHERE APPLICABLE MUST REMAIN WITHIN DIMENSIONS									SIZE A3			THIS DRAWING CONTAINS INFORMATION THAT IS PROPRIETARY TO MOLEX INCORPORATED AND SHOULD NOT BE USED WITHOUT WRITTEN PERMISSION																

9

8

7

6

5

4

3

2