

PLEASE CHECK WWW.MOLEX.COM FOR LATEST PART INFORMATION

Part Number: [0490350415](#)
Status: **Active**
Description: 3.80mm (.150") Pitch Uniconn Wire-to-Wire Male Housing, 4 Circuits, for 090-II Terminal, with TPA™, Gray

Documents:

[Drawing \(PDF\)](#) [RoHS Certificate of Compliance \(PDF\)](#)
[Product Specification PS-49033-001 \(PDF\)](#)

General

Product Family	Crimp Housings
Series	49035
Product Name	Uniconn

Physical

Circuits (maximum)	4
Color - Resin	Black, Gray
Gender	Male
Glow-Wire Compliant	No
Lock to Mating Part	Yes
Material - Resin	Polyester
Number of Rows	1
Packaging Type	Bag
Panel Mount	No
Pitch - Mating Interface (in)	0.150 In
Pitch - Mating Interface (mm)	3.80 mm
Polarized to Mating Part	Yes
Stackable	No
Temperature Range - Operating	-40°C to +80°C

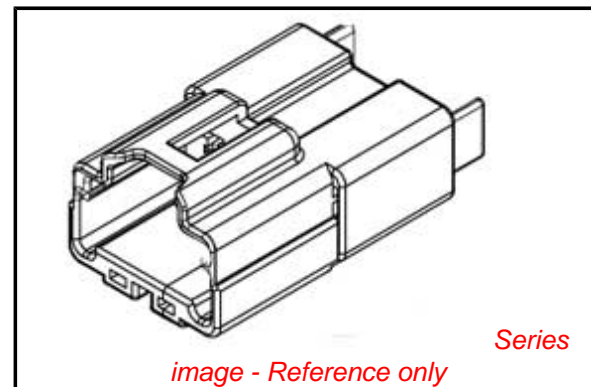
Electrical

Current - Maximum per Contact	10A
-------------------------------	-----

Material Info

Reference - Drawing Numbers

Product Specification	PS-49033-001
Sales Drawing	SD-49035-001



EU RoHS

ELV and RoHS Compliant
REACH SVHC
 Not Reviewed
Halogen-Free Status

China RoHS



Need more information on product environmental compliance?

Email productcompliance@molex.com
 For a multiple part number RoHS Certificate of Compliance, [click here](#)

Please visit the [Contact Us](#) section for any non-product compliance questions.

Search Parts in this Series

[49035Series](#)

Mates With

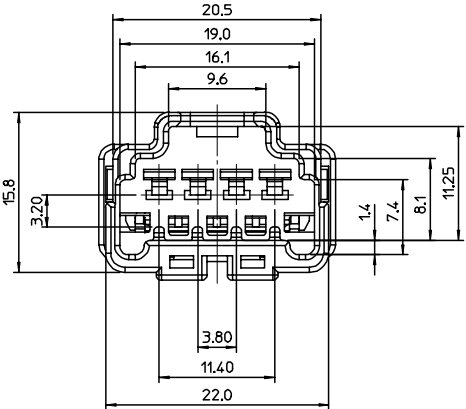
[49036 Housing](#)

Use With

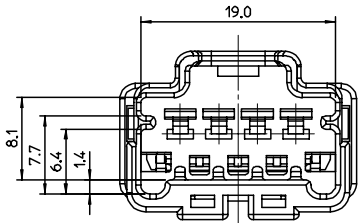
[35420 Terminal](#)

PLEASE CHECK WWW.MOLEX.COM FOR LATEST PART INFORMATION

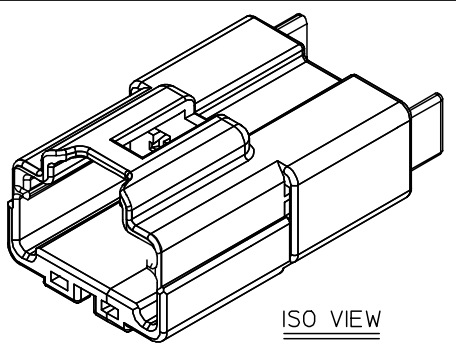
DWG. NO. SD-49035-001
 SIMILAR ITEM
 PROJECT NO.
 DO NOT SCALE DRAWING
 DIMENSION IN METRIC



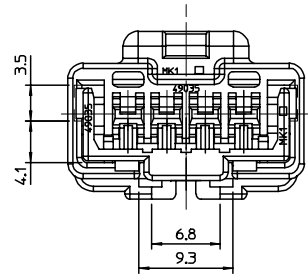
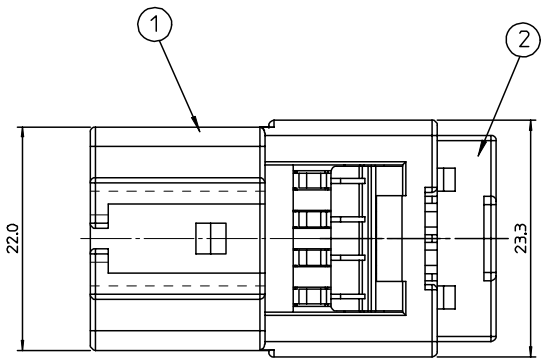
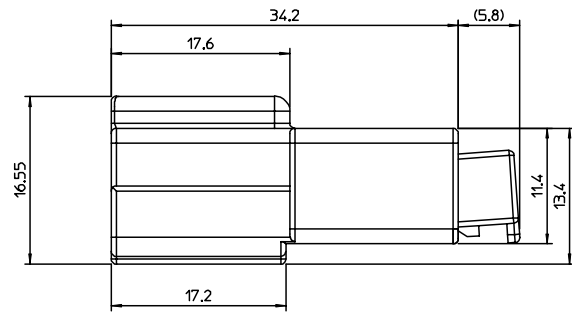
49035-0410/0415



49035-0417



ISO VIEW



<NOTE>

1. MATERIAL : SEE TABLE
2. MATING CONNECTOR : 49036-0410/0417
3. APPLICABLE TERMINAL : 35420-9*02

NO.	PART NO.	PART NAME	MATERIAL	COLOR
1	(A) 49035-0490	.090 M/HSG 4P	POLYESTER	NATURAL
	(B) 49035-0495	.090 M/HSG 4P	POLYESTER	GRAY
	(C) 49035-0497	.090 M/HSG 4P	POLYESTER	BROWN
	(D) 49035-0481	.090 M/TPA 4P	POLYESTER	BLACK

MATERIAL NO.	ENG. NO.	REMARKS
490350410	49035-0410	(A) + (D)
490350415	49035-0415	(B) + (D)
490350417	49035-0417	(C) + (D)

NEW RELEASED ECN NO. KOR2004-0092 DRWNS.MKIM 04/01/27 CHK:K.B.C.YOON 04/01/27 APPR:C.W.LEE	QUALITY SYMBOLS MAJOR CRITICAL C	GENERAL TOLERANCES: (UNLESS SPECIFIED)		SCALE 2:1	DESIGN UNITS <input checked="" type="checkbox"/> mm <input type="checkbox"/> INCH	THIRD ANGLE PROJECTION <input type="checkbox"/> THIRD ANGLE <input checked="" type="checkbox"/> FIRST ANGLE	TITLE: .090-II W/W MALE HSG ASS'Y 4P	MOLEX INCORPORATED	SHT REV REVISE ON CAD ONLY
		4 PLACES ±0.1	±.1	mm	INCH				
		3 PLACES ±0.1	±.1			CHECKED BY & DATE B.C.YOON 03/12/10			
		2 PLACES ±0.20	±.2			APPROVED BY & DATE C.W.LEE 03/12/10			
1 PLACE ±0.30	±.3			CAD FILENAME SD49035.MI	MATERIAL NO. SEE TABLE	DRAWING NO. SD-49035-001	SHEET NO. 1 OF 1	SIZE B	
DRAFT WHERE APPLICABLE MUST REMAIN WITHIN DIMENSIONS		THIS DRAWING CONTAINS INFORMATION THAT IS PROPRIETARY TO MOLEX INCORPORATED AND SHOULD NOT BE USED WITHOUT WRITTEN PERMISSION.							