

# MTD2029J

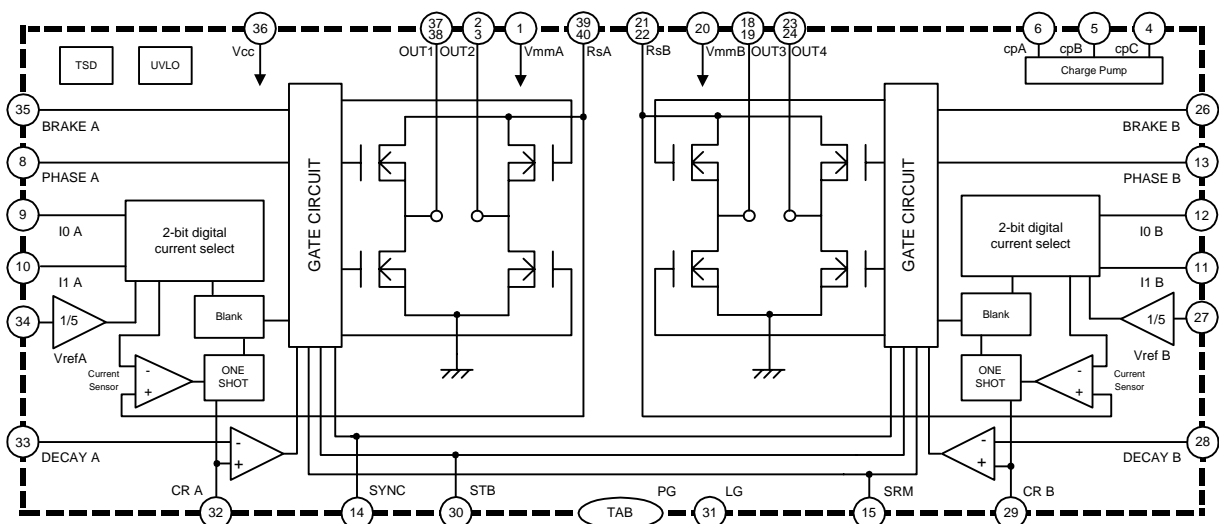
## DMOS DUAL FULL BRIDGE PWM MOTOR DRIVER ICs

### Features

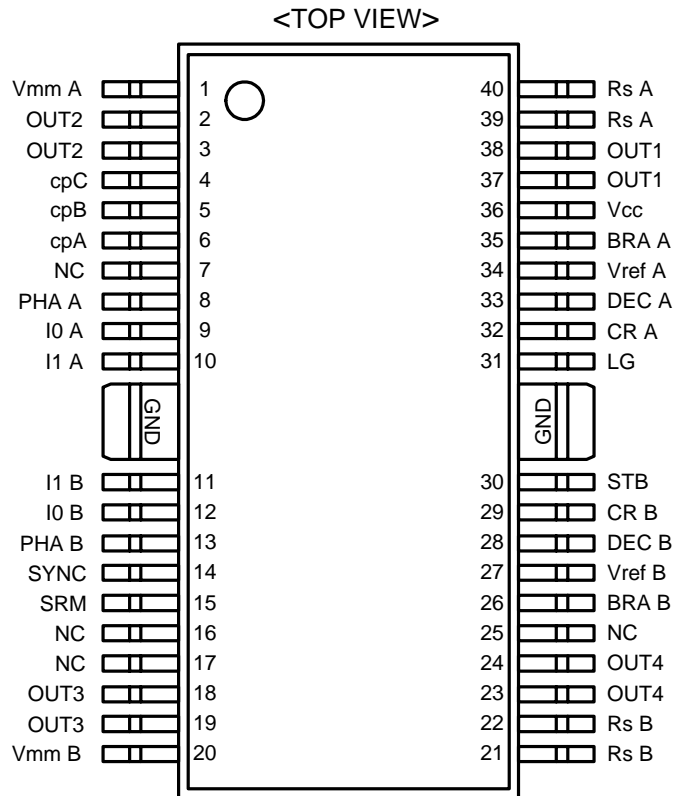
- 1) Built-in dual full-bridge
- 2) For a 2-phase bipolar stepper motor or two DC motors
- 3) Constant current control function (fixed OFF time PWM current control)
- 4) 2-bit digital current selection (It can respond to W1-2 phase excitation)
- 5) Selectable current decay mode (Slow/Fast/Mix Decay Mode)
- 6) Stand-by function
- 7) Noise cancellation function (An external filter is unnecessary)
- 8) Phase Synchronous function
- 9) Over heating shutdown function with thermal hysteresis
- 10) Under Voltage Lock Out function
- 11) Output current 1.5A, Output voltage 50V
- 12) Surface mount type package with heat dissipation tab (HSOP40)



### Block Diagram



### Pin Assignment



[ OUT, Rs are prepared each two terminals.  
Be sure to use, short-circuiting ]

### Absolute Maximum Ratings

Ta=25°C unless otherwise specified

Parameter	Symbol	Ratings	Units	
Logic input	Logic supply voltage	Vcc	0-7	V
	Input voltage	V <sub>PHA/IO/11/DEC/BRA/</sub> V <sub>SYNC/SRM/STB</sub>	0-Vcc	V
Output	Output voltage	V <sub>OUT</sub>	50	V
	Output current	I <sub>c</sub>	1.5	A
	Output current (Peak) *1	I <sub>p</sub> *1	2.5	A
	Flywheel diode voltage	V <sub>F</sub>	50	V
	Flywheel diode current	I <sub>F</sub>	1.5	A
Temperature	Allowable power dissipation *2	P <sub>t</sub> *2	2.9	W
	Storage temperature range	T <sub>stg</sub>	-40-150	°C
	Maximum junction temperature	T <sub>j(max)</sub>	150	°C

\*1 Condition : t<sub>w</sub> < 20μs

\*2 2inches grass epoxy board (FR4) and a heat dissipation Cu pattern area of 250mm<sup>2</sup>

**Electrical Characteristics**

( Ta=25°C, Vcc=5.0V unless otherwise specified )

Parameter	Symbol	Condition	MIN	TYP	MAX	Unit
Logic supply current (2 circuit ON)	Icc(ON)	V <sub>I0</sub> ="L", V <sub>I1</sub> ="L"	-	12.0	17.0	mA
Logic supply current (2 circuit OFF)	Icc(OFF)	V <sub>I0</sub> ="H", V <sub>I1</sub> ="H"	-	11.0	16.0	mA
Load supply current (2 circuit ON)	IMM(ON)	V <sub>MM</sub> =24V, V <sub>I0</sub> ="L", V <sub>I1</sub> ="L"	-	9.0	12.0	mA
Logic supply current (STB)	Icc(STB)	V <sub>STB</sub> ="L"	-	5.0	8.0	mA
Load supply current (STB)	IMM(STB)	V <sub>MM</sub> =24V, V <sub>STB</sub> ="L"	-	-	100	μA
Logic "H" input voltage	V <sub>INH</sub>	Operating	2.0	-	V <sub>CC</sub>	V
Logic "L" input voltage	V <sub>INL</sub>	Operating	GND	-	0.8	V
PHASE "H" input current	I <sub>PHAH</sub>	V <sub>PHA</sub> =5.0V	-	-	10.0	μA
PHASE "L" input current	I <sub>PHAL</sub>	V <sub>PHA</sub> =0V	-	-1.0	-10.0	μA
I0 "H" input current	I <sub>I0H</sub>	V <sub>I0</sub> =5.0V	-	-	10.0	μA
I0 "L" input current	I <sub>I0L</sub>	V <sub>I0</sub> =0V	-	-1.0	-10.0	μA
I1 "H" input current	I <sub>I1H</sub>	V <sub>I1</sub> =5.0V	-	-	10.0	μA
I1 "L" input current	I <sub>I1L</sub>	V <sub>I1</sub> =0V	-	-1.0	-10.0	μA
DECAY "H" input current	I <sub>DECH</sub>	V <sub>DEC</sub> =5.0V	-	-	10.0	μA
DECAY "L" input current	I <sub>DECL</sub>	V <sub>DEC</sub> =0V	-	-5.0	-15.0	μA
BRAKE "H" input current	I <sub>BRAH</sub>	V <sub>BRA</sub> =5.0V	-	-	10.0	μA
BRAKE "L" input current	I <sub>BRAL</sub>	V <sub>BRA</sub> =0V	-42.0	-62.5	-125.0	μA
SRM "H" input current	I <sub>SRMH</sub>	V <sub>SRM</sub> =5.0V	-	-	10.0	μA
SRM "L" input current	I <sub>SRML</sub>	V <sub>SRM</sub> =0V	-42.0	-62.5	-125.0	μA
SYNC "H" input current	I <sub>SYNCH</sub>	V <sub>SYNC</sub> =5.0V	42.0	62.5	125	μA
SYNC "L" input current	I <sub>SYNCL</sub>	V <sub>SYNC</sub> =0V	-	-1.0	-10.0	μA
STB "H" input current	I <sub>STBH</sub>	V <sub>STB</sub> =5.0V	-	-	10.0	μA
STB "L" input current	I <sub>STBL</sub>	V <sub>STB</sub> =0V	-42.0	-62.5	-125.0	μA
Reference voltage range	V <sub>ref</sub>	V <sub>ref</sub> =V <sub>CC</sub> -2.0V	-	-	3.0	V
V <sub>ref</sub> "H" input current	I <sub>refH</sub>	V <sub>ref</sub> =3.0V	-	-	10.0	μA
V <sub>ref</sub> "L" input current	I <sub>refL</sub>	V <sub>ref</sub> =0V	-	-5.0	-15.0	mA
Comparator Threshold (100%)	V <sub>s1</sub>	V <sub>I0</sub> ="L", V <sub>I1</sub> ="L"	95	100	105	%
Comparator Threshold (70%)	V <sub>s2</sub>	V <sub>I0</sub> ="H", V <sub>I1</sub> ="L"	64.4	70	75.6	%
Comparator Threshold (40%)	V <sub>s3</sub>	V <sub>I0</sub> ="L", V <sub>I1</sub> ="H"	36	40	44	%
Upper MOSFET ON resistance	R <sub>onH</sub>	I <sub>OUT</sub> =-1.0A	-	0.5	0.7	Ω
Lower MOSFET ON resistance	R <sub>onL</sub>	I <sub>OUT</sub> =1.0A	-	0.5	0.7	Ω
Upper MOSFET leak current	I <sub>leakH</sub>	V <sub>mm</sub> =50V, V <sub>OUT</sub> =0V	-	-	50.0	μA
Lower MOSFET leak current	I <sub>leakL</sub>	V <sub>OUT</sub> =50V, V <sub>TAB</sub> =0V	-	-	50.0	μA
Upper diode forward drop	V <sub>FH</sub>	I <sub>OUT</sub> =-1.0A	-	1.3	1.5	V
Lower diode forward drop	V <sub>FL</sub>	I <sub>OUT</sub> =1.0A	-	1.3	1.5	V
One shot off time	T <sub>off</sub>	C <sub>t</sub> =470pF, R <sub>t</sub> =56kΩ	-	26.3	-	μs
Blanking time	t <sub>b</sub>	C <sub>t</sub> =470pF, R <sub>t</sub> =56kΩ	-	2.03	-	μs
Charge pump setting time	T <sub>chg</sub>	V <sub>mm</sub> =24.0V, C <sub>p1</sub> =0.47μF, C <sub>p2</sub> =0.022μF	-	-	2.0	ms
Under voltage lock out threshold	V <sub>UVLO</sub>	Operating	-	4.0	-	V
Thermal shutdown temperature	T <sub>TSD</sub>	Operating	-	165	-	°C

**Recommended operation conditions**

Parameter	Symbol	Recommendation	Unit
Junction temperature range	T <sub>j</sub>	-25 ~ 120	
Logic supply	V <sub>CC</sub>	4.75 ~ 5.50	V
Load supply	V <sub>mm</sub>	15 ~ 45	V

**Thermal resistance**

Symbol	Rating	Unit
ja *1	43	/W

 \*1 2inches grass epoxy board (FR4) and a heat dissipation Cu pattern area of 250mm<sup>2</sup>

## Truth Table

BRAKE A or B	I0 A or B	I1 A or B	PHASE A or B	OUT 1 or 4	OUT 2 or 3	Output current ratio (%)
H	L	L	L	L	H	100
H	H	L	L	L	H	70
H	L	H	L	L	H	40
H	H	H	X	X	X	0 (Output OFF)
H	L	L	H	H	L	100
H	H	L	H	H	L	70
H	L	H	H	H	L	40
L	X	X	X	L	L	-

X : don't care

STB	Mode
L	Stand-by
H or Open (*1)	Active

\*1 pull-up resistance built-in

SYNC	Mode
L or Open (*2)	Disabled
H	Synchronous

\*2 pull-down resistance built-in

DECAY	DECAY Mode
$V_{DEC} < V_{CR}$	FAST
$V_{DEC} > V_{CR}$	SLOW

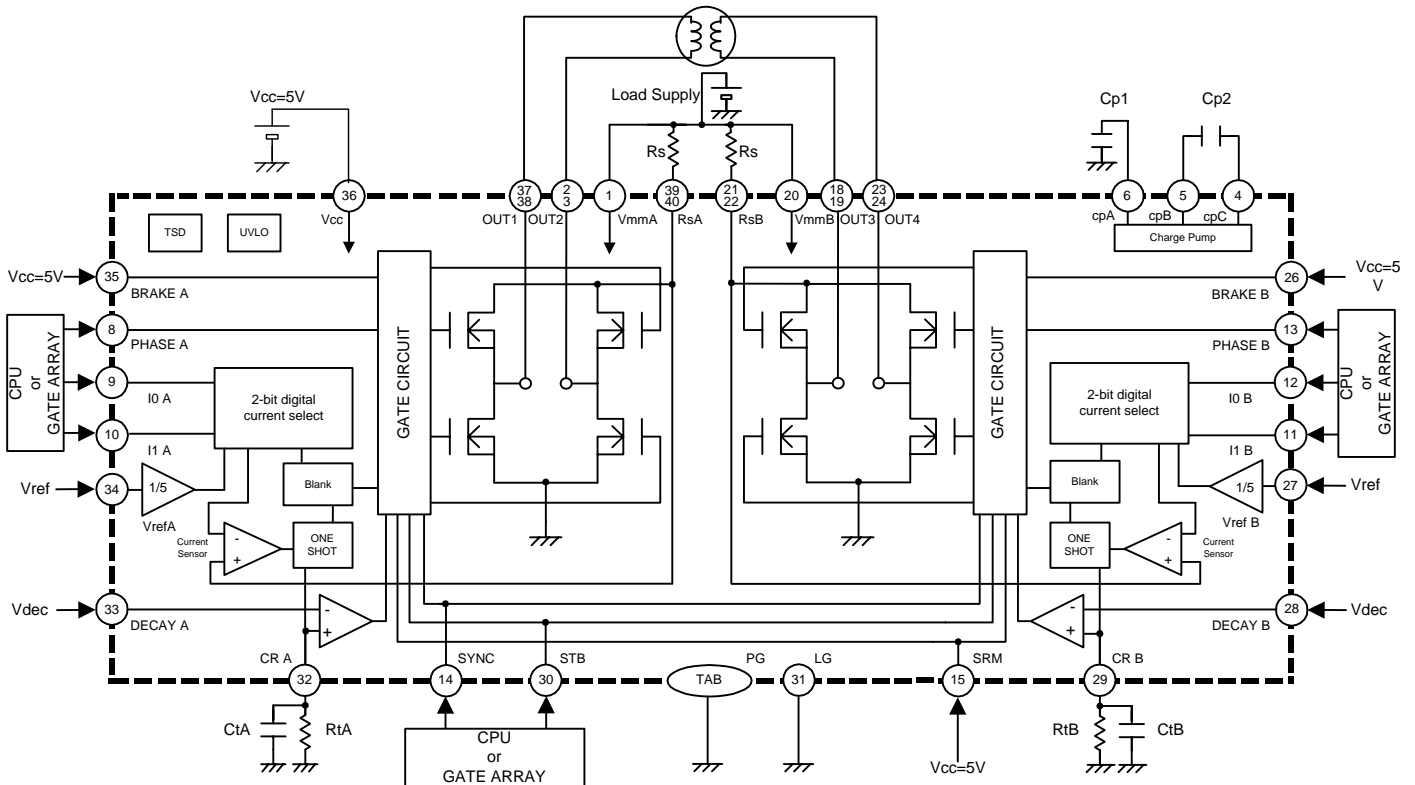
SRM (*3)	Mode
L	Disabled
H or Open (*4)	Synchronous Rectification

\*3 SRM:Synchronous Rectification Mode

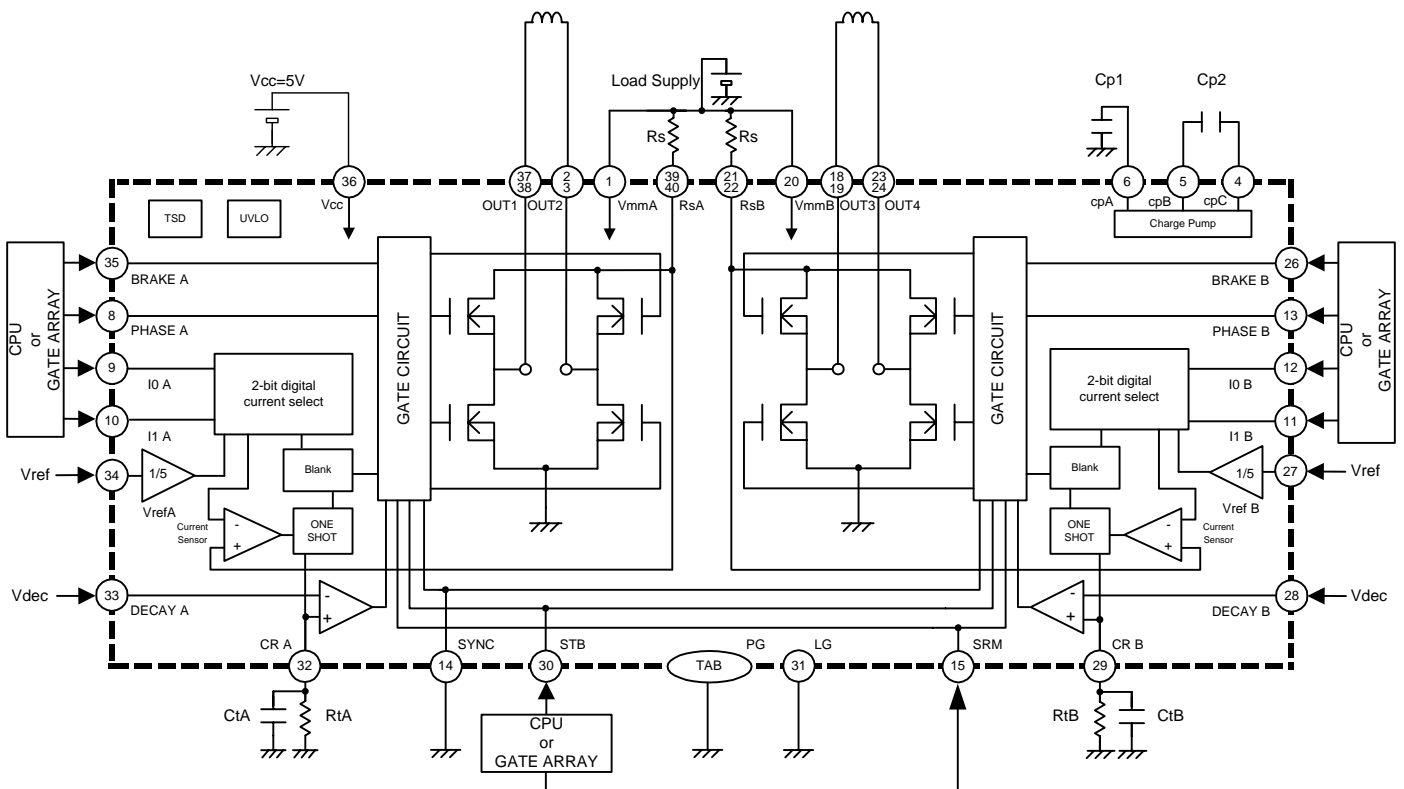
\*4 pull-up resistance built-in

$1.0V < V_{CR} < 3.0V$ All Fast Decay Mode $V_{DEC} < 0.6V$ All Slow Decay Mode $V_{DEC} > 3.4V$
--

The example of a 2-phase stepper motor drive circuit



The example of a two DC motor drive circuit



Constant chopping current level

$$I_{chop} = \frac{V_{ref}}{5 \times R_s}$$

One shot off time

$$T_{off} = C_t \times R_t$$

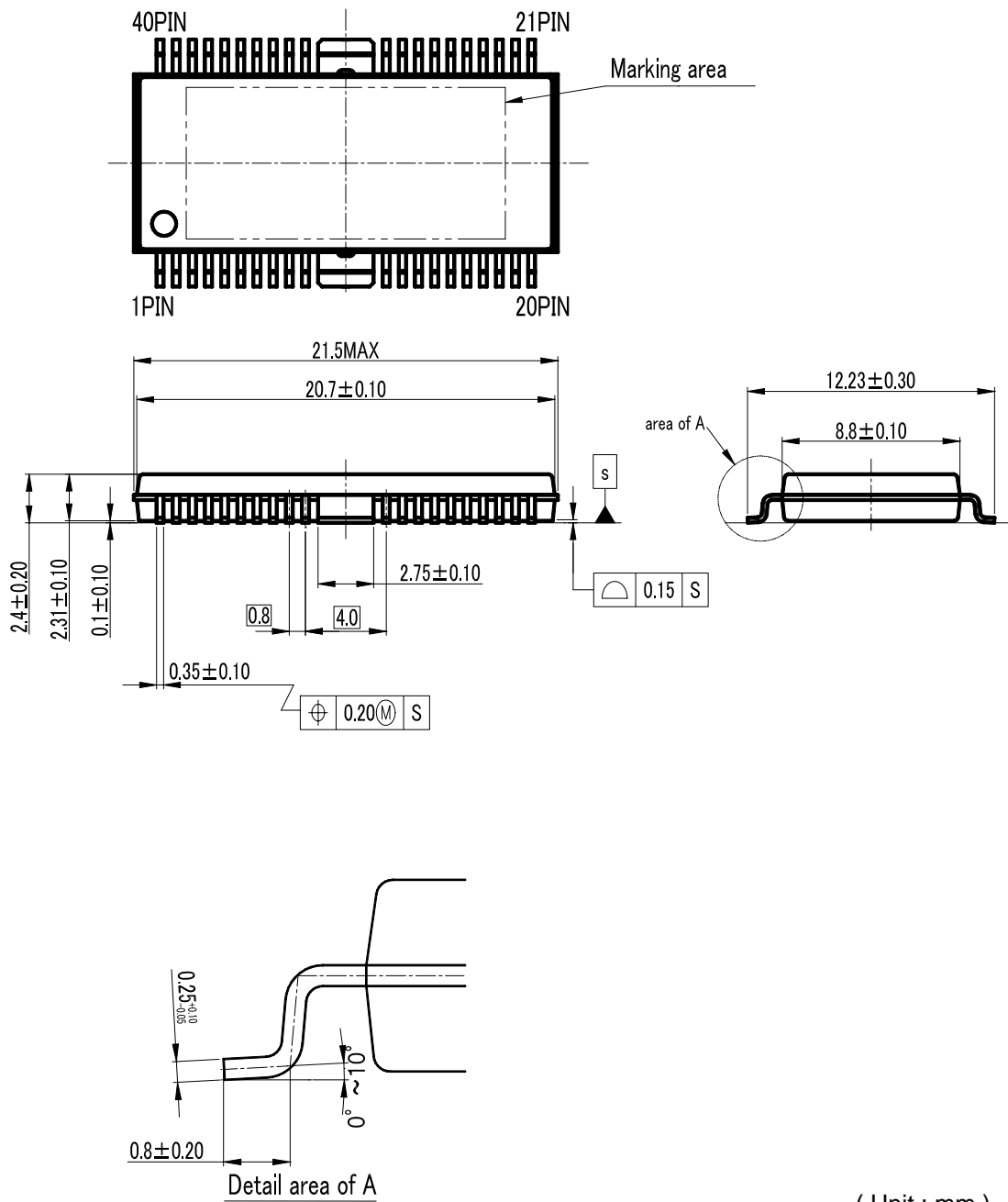
Pulse Blanking Time

$$t_b = C_t \times R_t \times \ln \frac{1 - 0.5 \times 10^{-3} R_t}{3 - 0.5 \times 10^{-3} R_t}$$


Recommended component values


Symbol	Recommended value	Unit
R <sub>s</sub>	0.39	Ω
R <sub>t</sub>	56k	Ω
C <sub>t</sub>	470p	F
C <sub>p1</sub>	0.47μ	F
C <sub>p2</sub>	0.022μ	F

Outline Dimension



( Unit : mm )

 Although we are constantly making every effort to improve the quality and reliability of our products, there nevertheless remains a certain probability that the semiconductor products may occasionally fail or malfunction. Please take careful precautions against product failures or malfunctions to avoid any injuries, fire accidents or social loss by implementing safety designs such as redundancy designs, designs for fire spread prevention, and designs for preventing malfunctions.

 Our semiconductor products listed in this document are not designed or manufactured to be used in devices or systems requiring extremely high levels of quality and reliability, or the failure or malfunction of which may directly threaten human lives or cause injury. In the cases where the products are to be used in devices or systems for special applications or devices or systems for specialized applications shown below, always make sure to consult us in advance.

#### Special Applications

Transportation devices (automotive, marine, etc.), communication devices for core network, traffic signal devices, fire prevention/anticrime devices, various safety devices, medical devices, etc.

#### Specialized Applications

Nuclear power control systems, aircraft and aerospace devices, submarine relay devices, and systems for preserving life, etc.

Even if it is not for a special or specialized application, when IC products are to be used for devices or systems that are desired to last for a long period under continuous operation, please make sure to consult our sales representative in advance.

We reserve the right to make any changes to the contents of this manual without prior notice in accordance with modifications to IC products. Details of specifications should be exchanged at the adoption of the IC products.

All information included in this manual is believed to be accurate and reliable. However, our company takes no responsibility for any injury or damage incurred when using the IC products as described in this manual. Neither do we take any responsibility for issues arising from infringement of patent or other rights caused by using this manual.

The provision of this manual does not guarantee the right to use any third party's patent or other rights, or grant permission to use the patent or other rights of our company.

No part of this manual may be reproduced or copied without the specific written consent of Shindengen Electric Mfg. Co., Ltd.