

PLEASE CHECK WWW.MOLEX.COM FOR LATEST PART INFORMATION

Part Number: [5021184591](#)
Status: **Active**
Description: 0.50mm (.020") Pitch Easy-On™ BackFlip™ FPC Connector, 0.90mm (.035") Height, Right Angle, SMT, Dual Contact Style, 45 Circuits, Lead-free

Documents:

[Drawing \(PDF\)](#) [RoHS Certificate of Compliance \(PDF\)](#)
[Product Specification PS-502118-002 \(PDF\)](#)

General

Product Family FFC/FPC Connectors
 Series [502118](#)
 Product Name BackFlip™, Easy-On™

Physical

Circuits (Loaded) 45
 Color - Resin Black, White
 Contact Position Dual
 Durability (mating cycles max) 10
 Entry Angle 90° Angle
 Mated Height (in) 0.035 In
 Mated Height (mm) 0.90 mm
 Material - Metal Phosphor Bronze
 Material - Plating Mating Gold
 Material - Plating Termination Gold
 Number of Rows 1
 Orientation Right Angle
 PCB Locator No
 PCB Retention Yes
 Packaging Type Embossed Tape on Reel
 Pitch - Mating Interface (in) 0.020 In
 Pitch - Mating Interface (mm) 0.50 mm
 Polarized to PCB Yes
 Stackable No
 Temperature Range - Operating -40°C to +85°C
 Termination Interface: Style Surface Mount
 Wire/Cable Type FPC only

Electrical

Current - Maximum per Contact 0.5A
 Voltage - Maximum 50V AC (RMS)/DC

Material Info

Reference - Drawing Numbers

Product Specification PS-502118-002
 Sales Drawing SD-502118-003, SD-502118-004

EU RoHS

**ELV and RoHS
Compliant**
REACH SVHC
 Not Reviewed
**Halogen-Free
Status**

Not Reviewed

China RoHS



**Need more information on product
environmental compliance?**

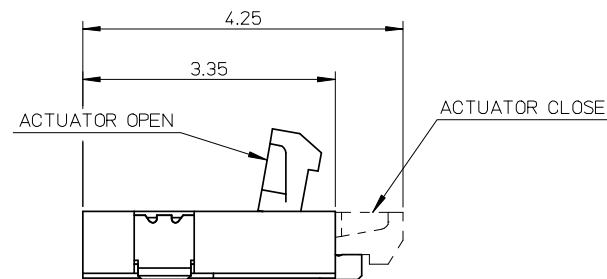
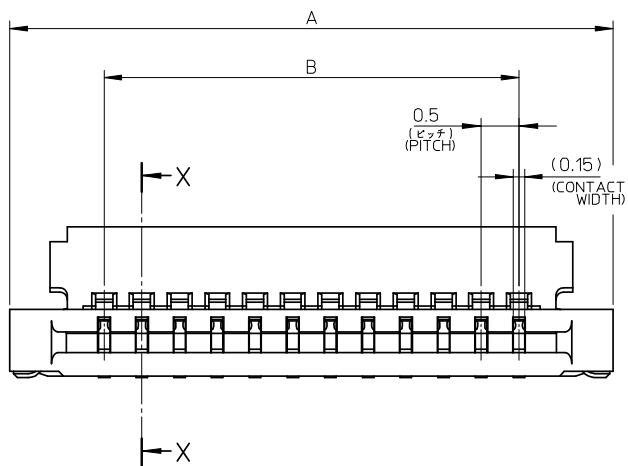
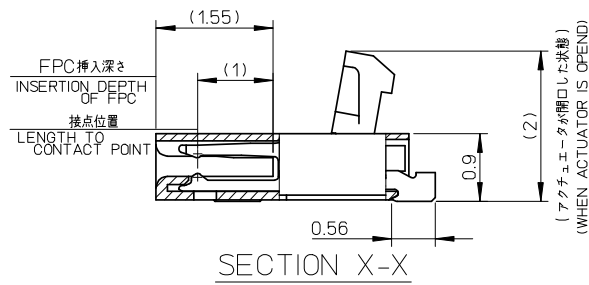
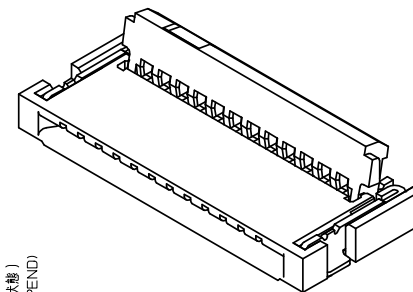
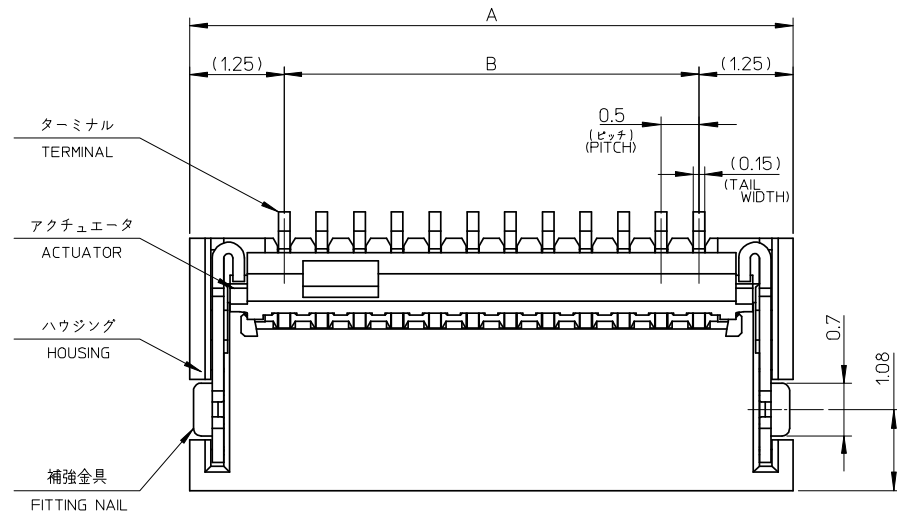
Email productcompliance@molex.com
 For a multiple part number RoHS Certificate of Compliance, [click here](#)

Please visit the [Contact Us](#) section for any non-product compliance questions.

Search Parts in this Series

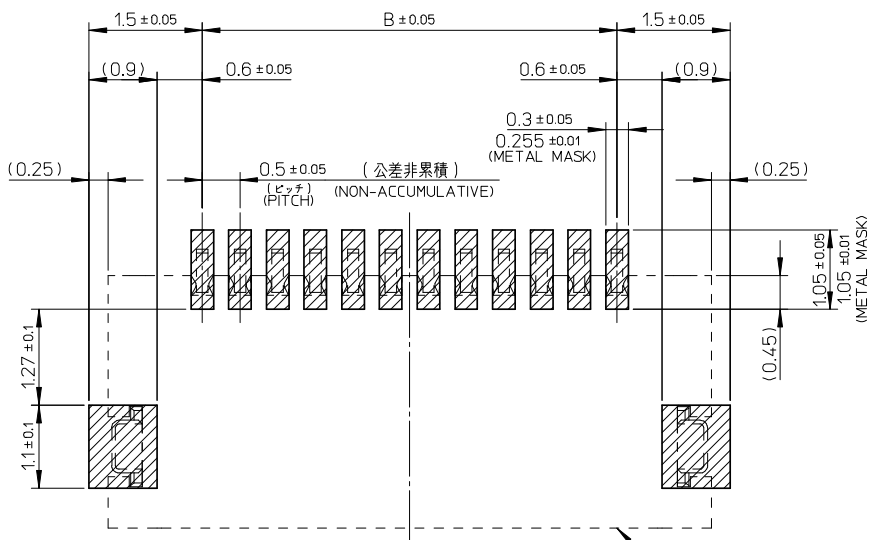
[502118Series](#)

10 9 8 7 6 5 4 3 2 1



25.5	24.5	27	502118-5090	502118-5011	50
C	B	A	EMBOSSED PACKAGING	MATERIAL NO.	CIRCUITS
			ORDER NO.		

RELEASED EC NO: J2009-0131 DRWN:HONO01 2008/07/18 CHKD:HSHIMOYAMA 2008/07/18 APPR:HHIRATA 2008/07/18	GENERAL TOLERANCES (UNLESS SPECIFIED)		DIMENSION STYLE MM ONLY		SCALE //	DESIGN UNITS METRIC	THIRD ANGLE PROJECTION
	10 UNDER	±0.2	DRAWN BY HONO	DATE 2008/07/15	TITLE 0.5 FPC CONN BACK FLIP H=0.9 UPR/BTM CONT		
	10 OVER 30 UNDER	±0.25	CHECKED BY HSHIMOYAMA	DATE 2008/07/15	MOLEX INCORPORATED		
	30 OVER	±0.3	APPROVED BY HHIRATA	DATE 2008/07/15	MATERIAL NO. SEE CHART	DOCUMENT NO. SD-502118-001	SHEET NO. 1 OF 2
	ANGULAR ±1 °		DRAFT WHERE APPLICABLE MUST REMAIN WITHIN DIMENSIONS		THIS DRAWING CONTAINS INFORMATION THAT IS PROPRIETARY TO MOLEX INCORPORATED AND SHOULD NOT BE USED WITHOUT WRITTEN PERMISSION		



参考基板レイアウト
P.C BOARD PATTERN
DIMENSION (REF.)
(マウント面)
(MOUNTING SIDE)

コネクタ位置
CONNECTOR POSITION

推奨メタルマスク厚さ: 0.12mm
RECOMMENDED METAL MASK THICKNESS: 0.12mm

注記 NOTE

1. 使用材料 MATERIAL

- ハウジング : ポリアミド樹脂, 色: ベージュ
HOUSING : POLYAMIDE, COLOR: BEIGE, GLASS FILLED, UL94V-0
- アクチュエータ : ポリアミド樹脂, 色: 茶
ACTUATOR : POLYAMIDE, COLOR: BROWN, GLASS FILLED, UL94V-0
- ターミナル : りん青銅 (t=0.15)
TERMINAL : PHOSPHOR BRONZE (t=0.15)
- 補強金具 : りん青銅 (t=0.15)
FITTING NAIL : PHOSPHOR BRONZE (t=0.15)

△ R0.3はFPC導体部にかからないこと。
R0.3 MUST NOT BE OVERLAPPED TO PATTERN OF FPC.

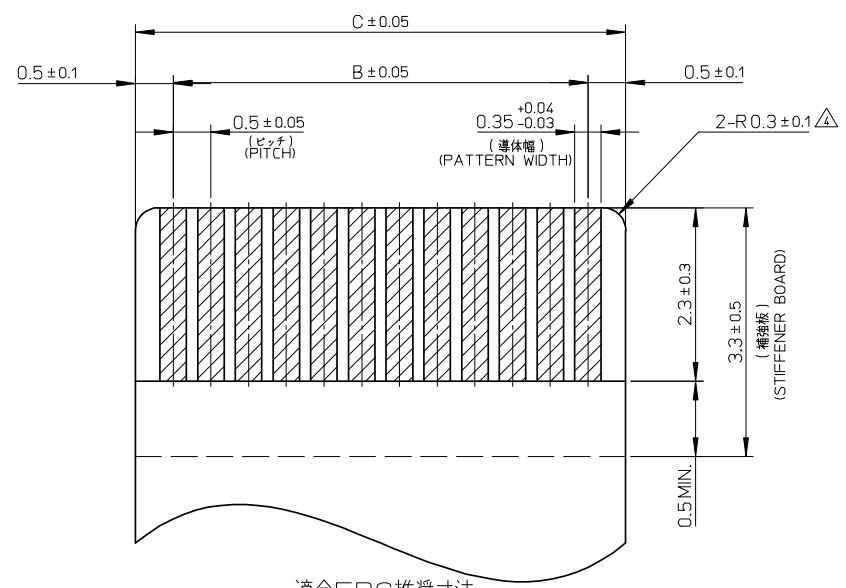
5. ELV及びRoHS適合品
ELV AND RoHS COMPLIANT.

6. 基板実装前にアクチュエータを操作しないで下さい。
必ず基板に実装し、FPCを挿入してからアクチュエータを操作して下さい。
PLEASE DO NOT OPERATE THE ACTUATOR BEFORE MOUNTING.
PLEASE OPERATE THE ACTUATOR AFTER MOUNTING ON THE SUBSTRATE, AND MATING FPC.

2. めっき仕様 PLATING

- ターミナル : ニッケル下地、部分金めっき (テールおよびコンタクト部)
TERMINAL : SEPARATED GOLD TAIL AND CONTACT OVER NICKEL PLATING.
- 補強金具 : ニッケル下地錫めっき
FITTING NAIL : TIN OVER NICKEL PLATING.

3. 端子、補強金具の平坦度は0.1以下とする。
COPLANARITY OF SOLDER TAIL AND FITTING NAIL : 0.1 MAX.



適合FPC推奨寸法
APPLICABLE FPC
RECOMMENDED DIMENSION
(仕上がり厚さ: 0.20±0.03)
(THICKNESS : 0.20±0.03)

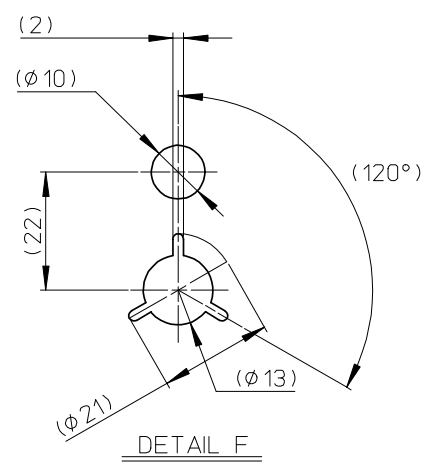
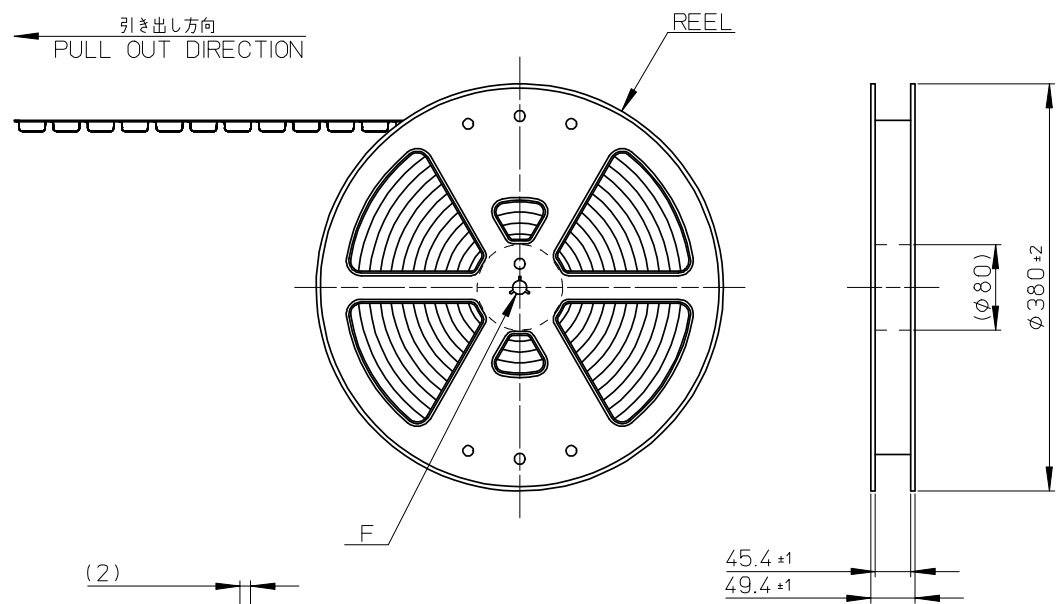
FPCについて
ABOUT FPC

抜き方向は、導体側から補強板を推奨します。
補強板材質は、ポリイミドを推奨します。
接着剤は熱硬化接着剤を推奨します。
なお、接着剤の接点部への付着は導通不良の原因となりますので染み出しの無いよう、お願いします。

RECOMMENDED PUNCHER DIRECTION : FROM CONDUCTOR SIDE TO STIFFENER BOARD SIDE.
RECOMMENDED MATERIAL : STIFFENER BOARD : POLYIMIDE, BONDING AGENT : THERMOSETTING AGENT.
PLEASE PUT APPROPRIATE AMOUNT OF ADHESIVE ON ADHEREND BECAUSE THERE IS A POSSIBILITY THAT THE EXTRA ADHESIVE CAUSES THE DEFECT IN ELECTRICAL CONTINUITY.

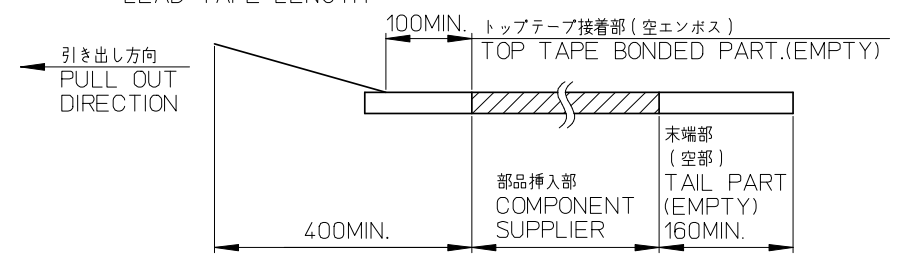
RELEASED EC NO: J2009-0131 DRWN: HON001 2008/07/18 CHKD: HSHIMOYAMA 2008/07/18 APPR: HHIRATA 2008/07/18	DESCRIPTION	GENERAL TOLERANCES (UNLESS SPECIFIED)		DIMENSION STYLE		SCALE	DESIGN UNITS	THIRD ANGLE PROJECTION		
				MM ONLY		≠	METRIC			
		10 UNDER	±0.2	DRAWN BY	DATE	TITLE				
		10 OVER 30 UNDER	±0.25	HONO	2008/07/15	0.5 FPC CONN BACK FLIP H=0.9 UPR/BTM CONT				
		30 OVER	±0.3	CHECKED BY	DATE					
		ANGULAR ±1 °		HSHIMOYAMA	2008/07/15					
		DRAFT WHERE APPLICABLE MUST REMAIN WITHIN DIMENSIONS		APPROVED BY	DATE					
				HHIRATA	2008/07/15					
				MATERIAL NO.	DATE					
				SEE CHART		MOLEX INCORPORATED				
						DOCUMENT NO.		SHEET NO.		
						SD-502118-001		2 OF 2		
				THIS DRAWING CONTAINS INFORMATION THAT IS PROPRIETARY TO MOLEX INCORPORATED AND SHOULD NOT BE USED WITHOUT WRITTEN PERMISSION						

F



NOTES

- 製品詳細寸法については製品単体図面を参照下さい。
RE DETAILED DIMENSION, SEE PRODUCT DRAWING.
- 梱包数量: 2500個/リール
NUMBER OF CONNECTORS 2500PCS/REEL
- リードテープ長さ
LEAD TAPE LENGTH



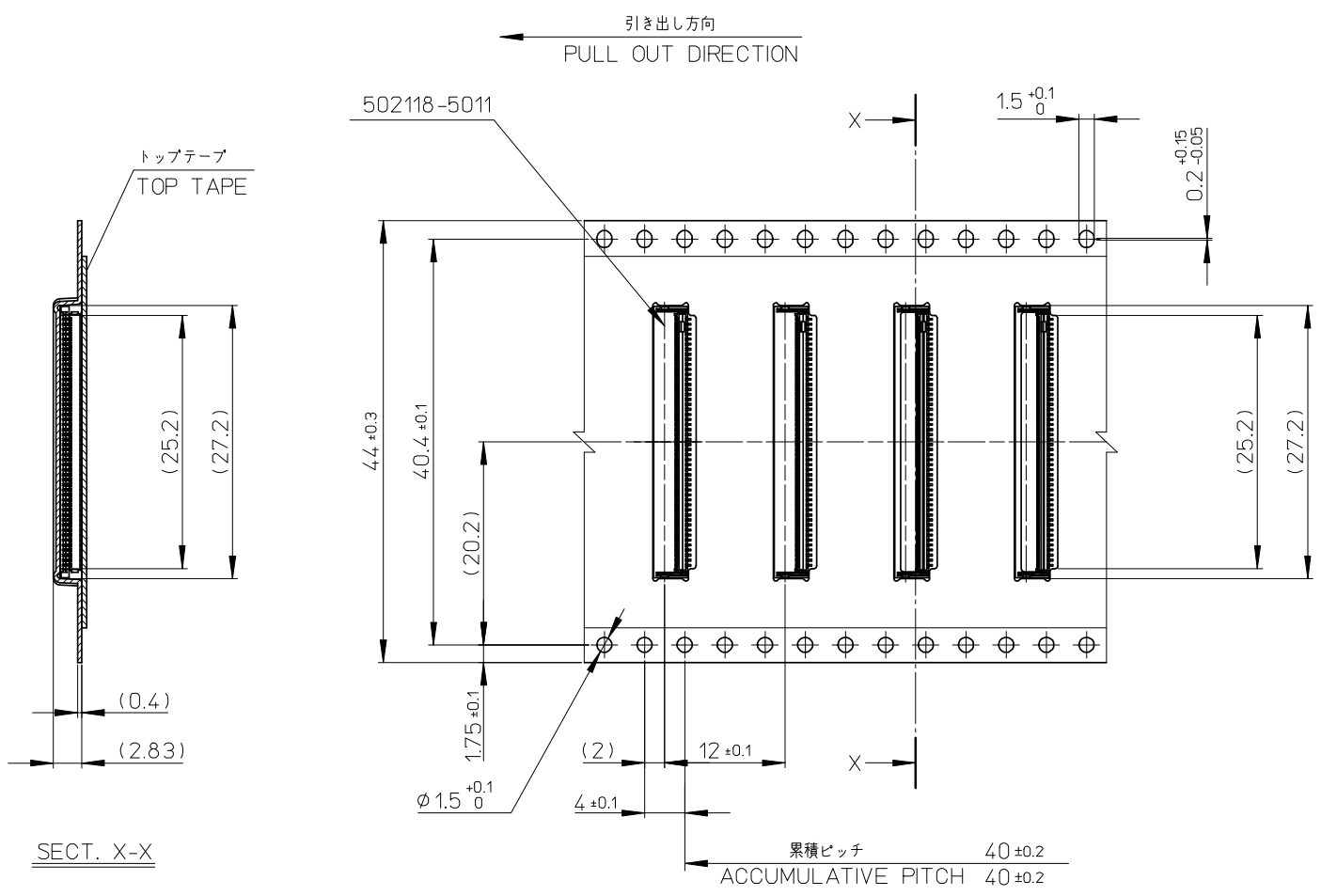
- 材料
MATERIAL
キャリアテープ(CARRIRE TAPE): ポリスチレン (POLYSTYRENE)
トップテープ(TOP TAPE): PET, PE, PEF
リール(REEL): ポリスチレン (PS) <リサイクル材を含む>
POLYSTYRENE(PS) <RECYCLE MATERIAL CONTAILED>
- ELV及びRoHS適合品
ELV AND RoHS COMPLIANT.

C

B

A

RELEASED EC NO: J2009-0131 DRWN:HONO01 2008/07/18 CH'KD:HSHIMOYAMA 2008/07/18 APPR:HHIRATA 2008/07/18 REV 0	GENERAL TOLERANCES (UNLESS SPECIFIED)		DIMENSION STYLE MM ONLY		SCALE ---	DESIGN UNITS METRIC	THIRD ANGLE PROJECTION	
	10 UNDER	±0.2	DRAWN BY HONO	DATE 2008/7/15	TITLE 0.5 FPC CONN BACK FLIP H=0.9 UPR/BTM CONT EMBSTP PKG			
	10 OVER 30 UNDER	±0.25	CHECKED BY HSHIMOYAMA	DATE 2008/7/15				
	30 OVER	±0.3	APPROVED BY HHIRATA	DATE 2008/7/15	MOLEX INCORPORATED			
	ANGULAR ±1 °		MATERIAL NO. SEE CHART		DOCUMENT NO. SD-502118-002		SHEET NO. 1 OF 2	
DRAFT WHERE APPLICABLE MUST REMAIN WITHIN DIMENSIONS		THIS DRAWING CONTAINS INFORMATION THAT IS PROPRIETARY TO MOLEX INCORPORATED AND SHOULD NOT BE USED WITHOUT WRITTEN PERMISSION						



502118-5090	50
MATERIAL NO.	CIRCUITS

RELEASED EC NO: J2009-0131 DRWN: HON001 CHKD: HS IMOYAMA APPR: HIRATA	2008/07/18 2008/07/18 2008/07/18	GENERAL TOLERANCES (UNLESS SPECIFIED)		DIMENSION STYLE MM ONLY		SCALE ---	DESIGN UNITS METRIC	THIRD ANGLE PROJECTION		
		10 UNDER	± 0.2	DRAWN BY HONO	DATE 2008/7/15	TITLE 0.5 FPC CONN BACK FLIP H=0.9 UPR/BTM CONT EMBSTP PKG				
		10 OVER 30 UNDER	± 0.25	CHECKED BY HSHIMOYAMA	DATE 2008/7/15	APPROVED BY HIRATA				
		30 OVER	± 0.3	MATERIAL NO. SEE CHART		DOCUMENT NO. SD-502118-002		SHEET NO. 2 OF 2		
		ANGULAR	± 1 °	THIS DRAWING CONTAINS INFORMATION THAT IS PROPRIETARY TO MOLEX INCORPORATED AND SHOULD NOT BE USED WITHOUT WRITTEN PERMISSION						
DRAFT WHERE APPLICABLE MUST REMAIN WITHIN DIMENSIONS										