

REMARK:

1. CHARACTERISTICS:

RATED VOLTAGE: 250V
 RATED CURRENT: 2.5AMP
 CONTACT RESISTANCE: 25mohms MAX. INITIAL, 40mohms MAX. AFTER.
 INSULATION RESISTANCE: 5000Mohms MIN. at 500V DC
 DIELECTRIC STRENGTH: 750VRMS
 OPERATING TEMPERATURE RANGE: -55° C~105° C
 INSERTION/EXTRACTION FORCE PER CONTACT: 5N Max./0.2N Min.
 MATING/UNMATING CYCLES: 200MATINGS MIN FOR GOLD-FLASH 500MATINGS MIN FOR 30u" GOLD.

2. MATERIAL:

INSULATORS: THERMOPLASTIC G.F(UL94V-0) BLACK
 CONTACTS: COPPER ALLOY, GOLD(G/F or 30u") TOP OVER CONTACT AREA, 100u" Min MATTE TIN TOP OVER SOLDER AREA, 50u" Min NICKEL UNDER PLATE.
 SHELL: CARBON STEEL, 100u" Min NICKEL TOP OVER, 50u" Min COPPER UNDER PLATE.
 HARPOON: COPPER ALLOY, 100u" Min MATTE TIN PLATED.

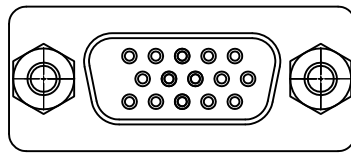
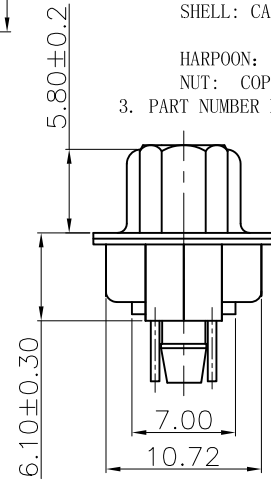
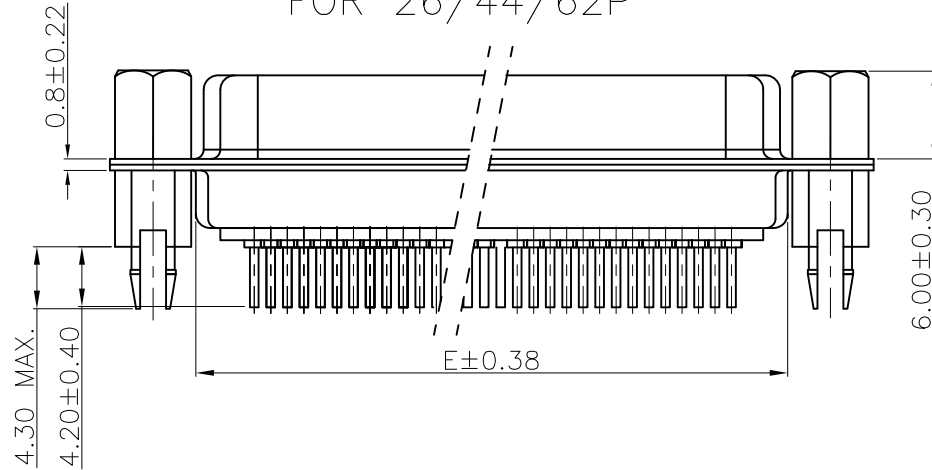
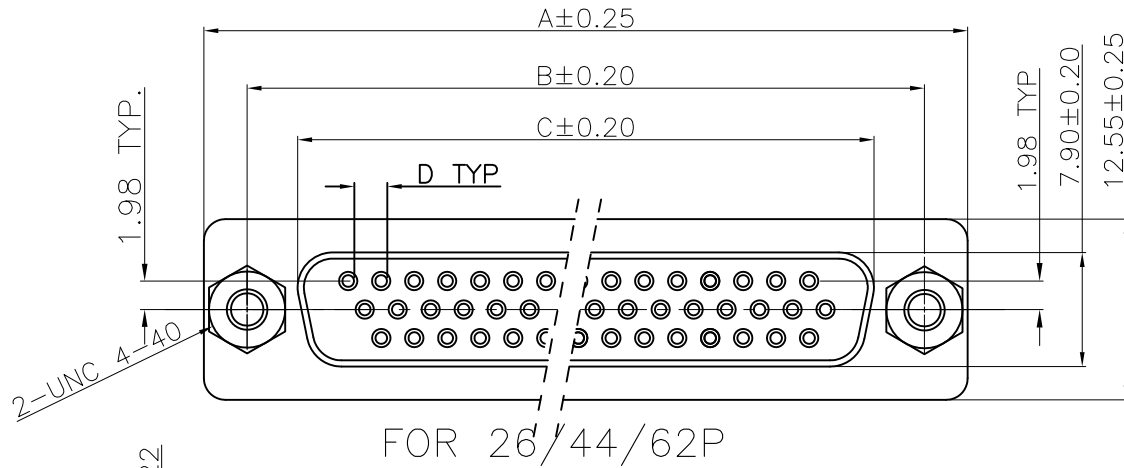
3. PART NUMBER DESCRIPTION: **10090929-S XX X X LF**

SERIES NO. _____ LF: ROHS COMPLIANT
 TYPE _____ LF: FLANGE MOUNTING OPTION
 S: SOCKET (FEMALE) X: UNC #4-40 CLINCHNUTS L: M3 CLINCHNUTS
 NUMBER OF CONTACTS _____ CONTACT FINISH
 15: 15-PIN 4: FLASH GOLD
 26: 26-PIN 6: 30u" GOLD
 44: 44-PIN
 62: 62-PIN

POS.	PART NO.	THREAD TYPE
15	10090929-S15*LLF	M3X0.5
26	10090929-S26*LLF	M3X0.5
44	10090929-S44*LLF	M3X0.5
62	10090929-S62*LLF	M3X0.5
15	10090929-S15*XLf	UNC #4-40
26	10090929-S26*XLf	UNC #4-40
44	10090929-S44*XLf	UNC #4-40
62	10090929-S62*XLf	UNC #4-40

POS.	A	B	C	D	E
15	30.81	24.99	16.33	2.29	19.10
26	39.24	33.32	24.66	2.29	27.75
44	53.04	47.04	38.38	2.29	41.30
62	69.32	63.50	54.84	2.41	57.40

mat'l. code				tolerances unless otherwise specified				CUSTOMER COPY		FCI www.fciconnect.com		
ltr	ecn no	dr	date	linear	.X ± 0.38			projection	title			
A	T09-1156	J.H	12/10/09		.XX ± 0.25				H/D D-SUB FEMALE STRAIGHT			
B	T10-0164	J.H	10/19/10		.XXX ± 0.10							
				angles	0° ±2°							
				dr	JASON HSU	10/19/10	MM			product family	D-SUB	code
				enr	JASON HSU	10/19/10	scale			size	dwg no	TWN
				chr	GARY HSIEH	10/19/10	1:1			A4	10090929	sheet
				appd	JOSEPH HSIA	10/19/10				1 of 5		
sheet index	revision sheet	B 1	B 2	B 3	B 4	B 5						



FOR 15P

REMARK:

1. CHARACTERISTICS:

RATED VOLTAGE: 250V
 RATED CURRENT: 2.5AMP
 CONTACT RESISTANCE: 25mohms MAX. INITIAL,
 40mohms MAX. AFTER.
 INSULATION RESISTANCE: 5000Mohms MIN. at 500V DC
 DIELECTRIC STRENGTH: 750VRMS
 OPERATING TEMPERATURE RANGE: -55° C~105° C
 INSERTION/EXTRACTION FORCE PER CONTACT: 5N Max. /0.2N Min.
 MATING/UNMATING CYCLES: 200MATINGS MIN FOR GOLD-FLASH
 500MATINGS MIN FOR 30u" GOLD.

2. MATERIAL:

INSULATORS: THERMOPLASTIC G.F(UL94V-0) BLACK
 CONTACTS: COPPER ALLOY, GOLD(G/F or 30u") TOP OVER CONTACT
 AREA, 100u" Min MATTE TIN TOP OVER SOLDER AREA,
 50u" Min NICKEL UNDER PLATE.
 SHELL: CARBON STEEL, 100u" Min NICKEL TOP OVER,
 50u" Min COPPER UNDER PLATE.
 HARPOON: COPPER ALLOY, 100u" Min MATTE TIN PLATED.
 NUT: COPPER ALLOY, 50u" Min NICKEL PLATED.

3. PART NUMBER DESCRIPTION: 10090929-S XX X X LF

SERIES NO. _____ LF: ROHS COMPLIANT
 TYPE _____ FLANGE MOUNTING OPTION
 S: SOCKET (FEMALE) V: UNC #4-40 SCREWLOCKS
 NUMBER OF CONTACTS _____ CONTACT FINISH
 15: 15-PIN 4: FLASH GOLD
 26: 26-PIN 6: 30u" GOLD
 44: 44-PIN
 62: 62-PIN

POS.	A	B	C	D	E
15	30.81	24.99	16.33	2.29	19.10
26	39.24	33.32	24.66	2.29	27.75
44	53.04	47.04	38.38	2.29	41.30
62	69.32	63.50	54.84	2.41	57.40

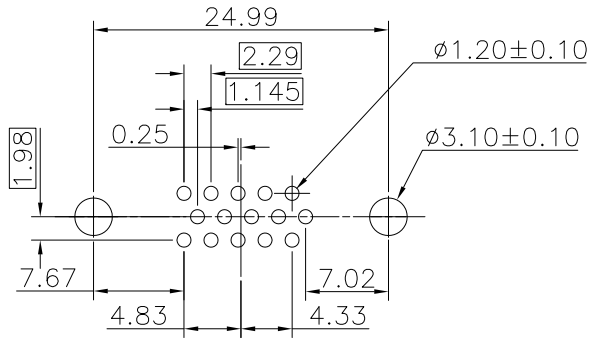
mat'l. code				tolerances unless otherwise specified		CUSTOMER COPY		FCI		www.fciconnect.com	
ltr	ecn no	dr	date	linear	.X ± 0.38	projection		title			
B					.XX ± 0.25			H/D D-SUB FEMALE STRAIGHT			
					.XXX ± 0.10			product family D-SUB			
				angles	0° ±2°	MM	←	size dwg no		code	
				dr	JASON HSU 10/19/10	scale	1:1	A4 10090929		TWN	
				enr	JASON HSU 10/19/10					sheet	
				chr	GARY HSIEH 10/19/10					2 of 5	
				appd	JOSEPH HSIA 10/19/10						
sheet index	revision sheet										



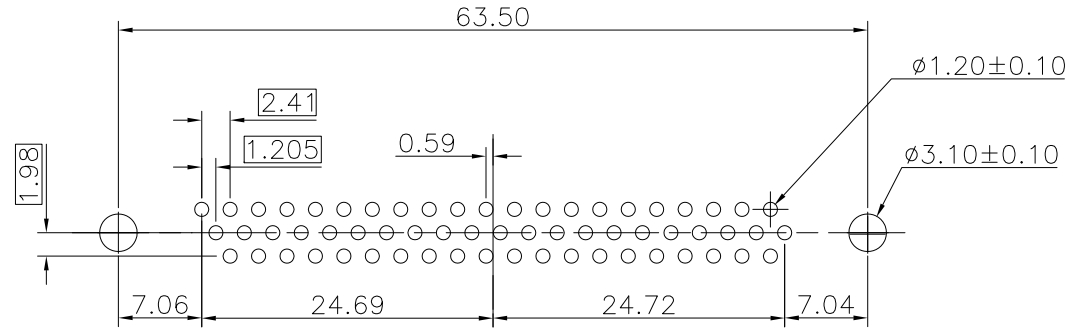
1 | 2

3 |

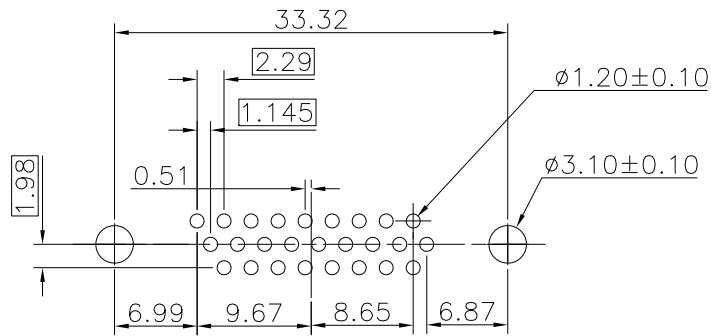
4



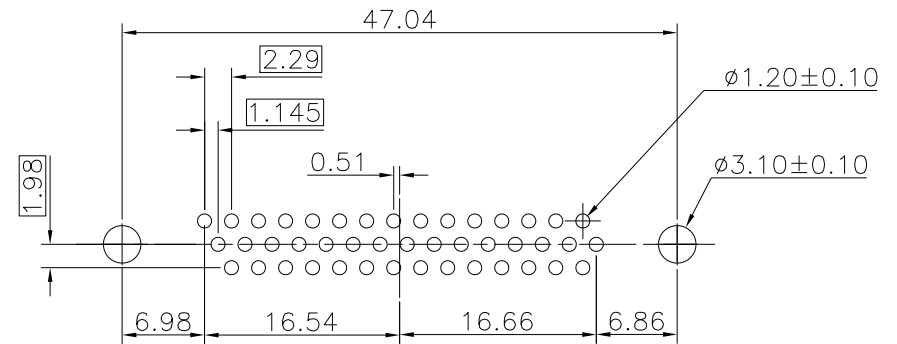
P.C.B LAYOUT(FOR 15P)



P.C.B LAYOUT(FOR 62P)



P.C.B LAYOUT(FOR 26P)



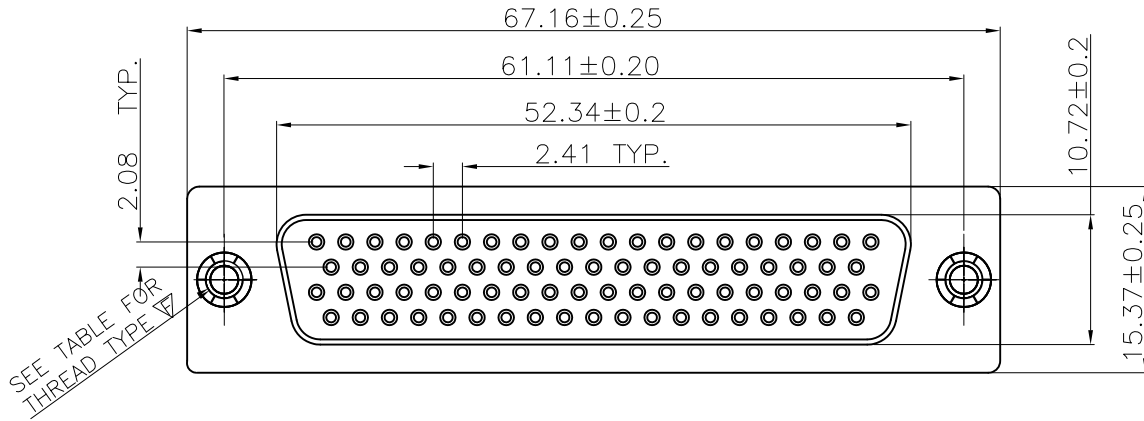
P.C.B LAYOUT(FOR 44P)

mat'l. code				tolerances unless otherwise specified			CUSTOMER COPY		 www.fciconnect.com		
ltr	ecn no	dr	date	linear	.X ± 0.38	projection	title				
B					.XX ± 0.25			H/D D-SUB FEMALE STRAIGHT PCB			
					.XXX ± 0.10			product family D-SUB		code	
				angles	0° ± 2°	MM	size dwg no		TWN		
				dr	JASON HSU 10/19/10	scale	A4		10090929		
				enr	JASON HSU 10/19/10		sheet		3 of 5		
				chr	GARY HSIEH 10/19/10		1:1				
				appd	JOSEPH HSIA 10/19/10						
sheet index	revision sheet										

1 | 2

3 |

4



REMARK:

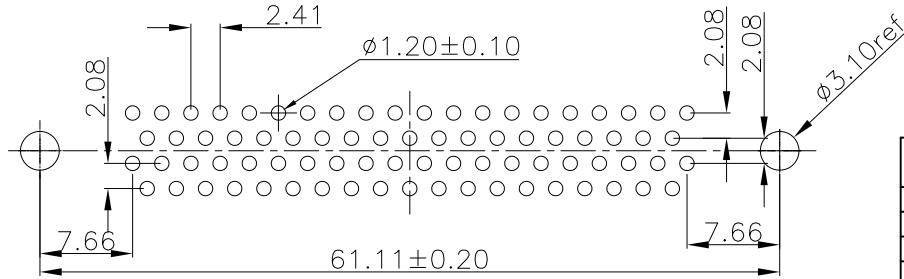
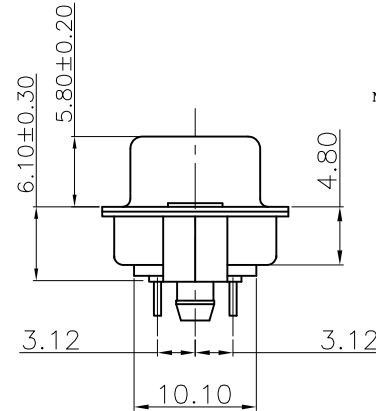
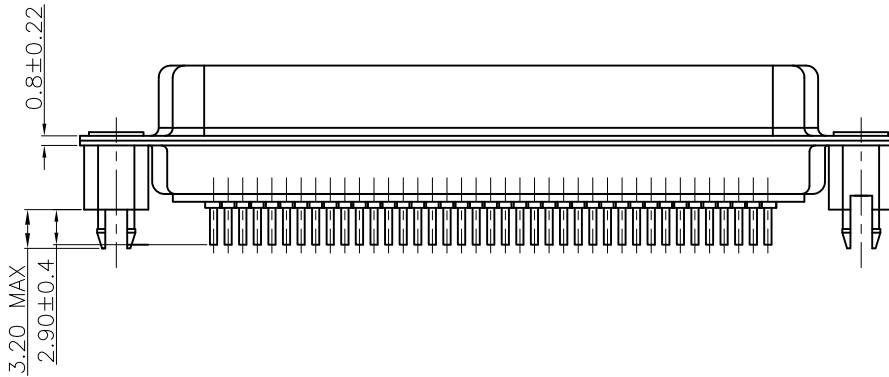
- CHARACTERISTICS:
 RATED VOLTAGE: 250V
 RATED CURRENT: 2.5AMP
 CONTACT RESISTANCE: 35mohms MAX. INITIAL, 50mohms MAX. AFTER.
 INSULATION RESISTANCE: 5000Mohms MIN. at 500V DC
 DIELECTRIC STRENGTH: 750VRMS
 OPERATING TEMPERATURE RANGE: -55° C~105° C
 INSERTION/EXTRACTION FORCE PER CONTACT: 5N Max./0.2N Min.
 MATING/UNMATING CYCLES: 200MATINGS MIN FOR GOLD-FLASH
 500MATINGS MIN FOR 30u" GOLD.

2. MATERIAL:

- INSULATORS: THERMOPLASTIC G, F (UL94V-0) BLACK
- CONTACTS: COPPER ALLOY, GOLD(G/F or 30u") TOP OVER CONTACT AREA, 100u" Min MATTE TIN TOP OVER SOLDER AREA, 50u" Min NICKEL UNDER PLATE.
- SHELL: CARBON STEEL, 100u" Min NICKEL TOP OVER, 50u" Min COPPER UNDER PLATE.
- HARPOON: COPPER ALLOY, 100u" Min MATTE TIN PLATED.

3. PART NUMBER DESCRIPTION: **10090929-S XX X X LF**

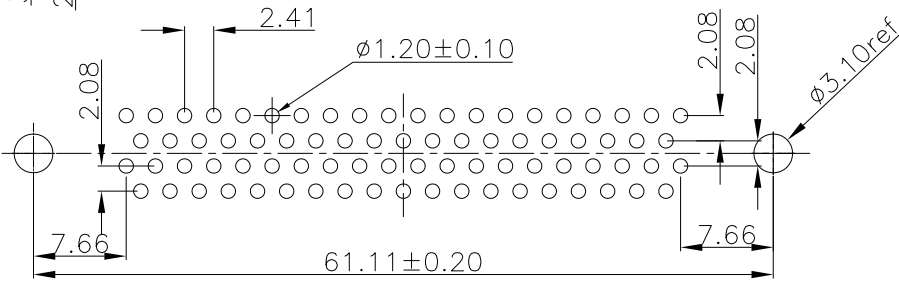
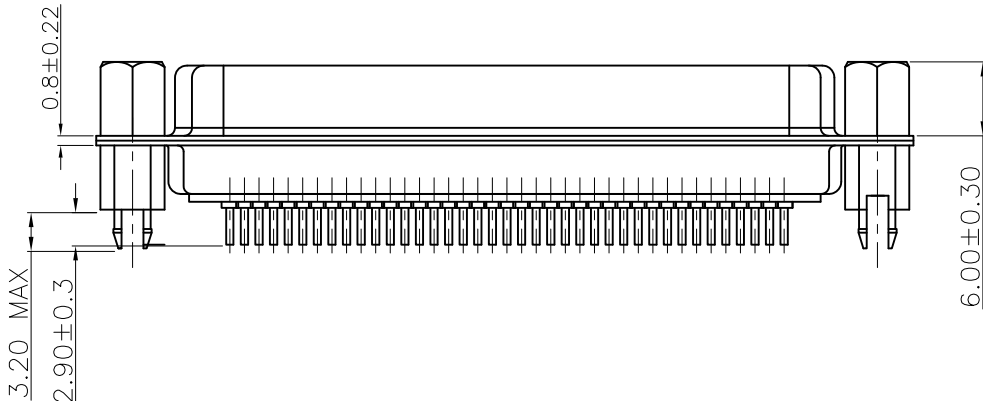
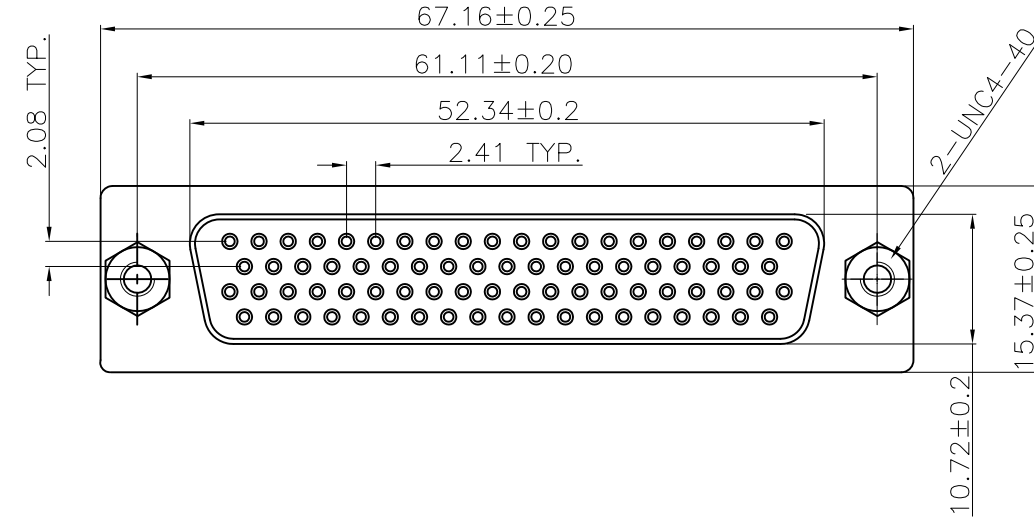
SERIES NO.	LF: ROHS COMPLIANT
TYPE S: SOCKET (FEMALE)	FLANGE MOUNTING OPTION X: UNC #4-40 CLINCHNUTS L: M3 CLINCHNUTS
NUMBER OF CONTACTS 78: 78-PIN	CONTACT FINISH 4: FLASH GOLD 6: 30u" GOLD



P.C.B LAYOUT

POS.	PART NO.	THREAD TYPE
78	10090929-S78*LLF	M3X0.5
78	10090929-S78*XLF	UNC #4-40

mat'l. code				tolerances unless otherwise specified			CUSTOMER COPY		FCI www.fciconnect.com	
ltr	ecn no	dr	date	linear	.X ± 0.38		projection	title		
B					.XX ± 0.25			H/D D-SUB FEMALE STRAIGHT	product family D-SUB	
					.XXX ± 0.10				size dwg no	
				angles	0° ±2°		MM	code		
				dr	JASON HSU	10/19/10		scale	TWN	
				enr	JASON HSU	10/19/10	1:1		sheet	
				chr	GARY HSIEH	10/19/10		A4	4 of 5	
				appd	JOSEPH HSIA	10/19/10				
sheet index	revision sheet									



P.C.B LAYOUT

REMARK:

1. CHARACTERISTICS:

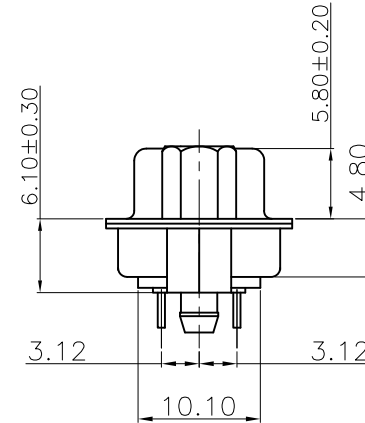
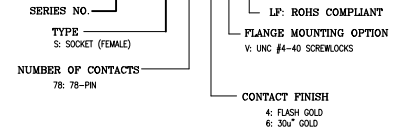
- RATED VOLTAGE: 250V
- RATED CURRENT: 2.5AMP
- CONTACT RESISTANCE: 35mohms MAX. INITIAL, 50mohms MAX. AFTER.
- INSULATION RESISTANCE: 5000Mohms MIN. at 500V DC
- DIELECTRIC STRENGTH: 750VRMS
- OPERATING TEMPERATURE RANGE: -55° C~105° C
- INSERTION/EXTRACTION FORCE PER CONTACT: 5N Max./0.2N Min.
- MATING/UNMATING CYCLES: 200MATINGS MIN FOR GOLD-FLASH 500MATINGS MIN FOR 30u" GOLD.

2. MATERIAL:

- INSULATORS: THERMOPLASTIC G.F(UL94V-0) BLACK
- CONTACTS: COPPER ALLOY, GOLD(G/F or 30u") TOP OVER CONTACT AREA, 100u" Min MATTE TIN TOP OVER SOLDER AREA, 50u" Min NICKEL UNDER PLATE.
- SHELL: CARBON STEEL, 100u" Min NICKEL TOP OVER, 50u" Min COPPER UNDER PLATE.
- HARPOON: COPPER ALLOY, 100u" Min MATTE TIN PLATED.
- NUT: COPPER ALLOY, 50u" Min NICKEL PLATED.

3. PART NUMBER DESCRIPTION:

10090929-S XX X X LF



PART NO.: 10090929-S78*VLF

mat'l. code				tolerances unless otherwise specified			CUSTOMER COPY		FCI		www.fciconnect.com	
ltr	ecn no	dr	date	linear	.X ± 0.38		projection	title				
B					.XX ± 0.25			H/D D-SUB FEMALE STRAIGHT				
					.XXX ± 0.10							
				angles	0° ±2°		MM		product family D-SUB		code	
				dr	JASON HSU	10/19/10	scale		size dwg no		TWN	
				enr	JASON HSU	10/19/10	1:1		A4		10090929	
				chr	GARY HSIEH	10/19/10					sheet	
				appd	JOSEPH HSIA	10/19/10					5 of 5	
sheet index	revision sheet											