

PLEASE CHECK WWW.MOLEX.COM FOR LATEST PART INFORMATION

Part Number: **0462350002**
Status: **Active**
Overview: Micro-Fit, 3.0™
Description: Micro-Fit 3.0™ Reduced Mating Force, Crimp Terminal, Female, with .0.76µm (30µ") Selective Gold (Au) over Nickel (Ni), 20-24 AWG, without Lubricant

Documents:

[Drawing \(PDF\)](#) [RoHS Certificate of Compliance \(PDF\)](#)
[Product Specification PS-46235-001 \(PDF\)](#)

General

Product Family	Crimp Terminals
Series	<u>46235</u>
Comments	Up to 50% reduction in mating force
Crimp Quality Equipment	Yes
Overview	<u>Micro-Fit, 3.0™</u>
Product Name	Micro-Fit 3.0™

Physical

Durability (mating cycles max)	40
Gender	Female
Material - Metal	Copper-Zinc-Tin
Material - Plating Mating	Gold
Material - Plating Termination	Nickel
Packaging Type	Reel
Plating min: Mating (µin)	0.76
Plating min: Mating (µm)	30
Plating min: Termination (µin)	50
Plating min: Termination (µm)	1.27
Termination Interface: Style	Crimp or Compression
Wire Insulation Diameter	1.85mm (.073") max.
Wire Size AWG	20, 22, 24
Wire Size mm²	N/A

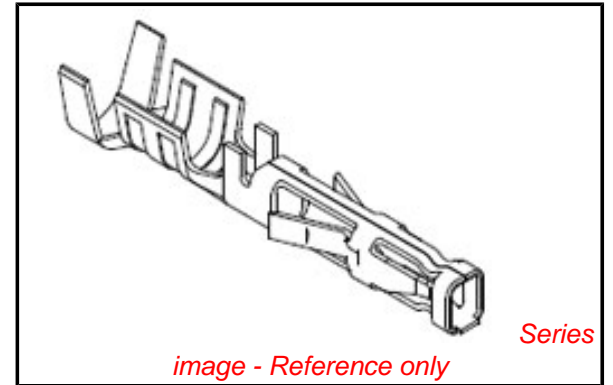
Electrical

Voltage - Maximum	600V
-------------------	------

Material Info

Reference - Drawing Numbers

Packaging Specification	PK-46235-001
Product Specification	PS-46235-001
Sales Drawing	SD-46235-001
Test Summary	TS-46235-001



EU RoHS

ELV and RoHS Compliant
REACH SVHC Contains SVHC: No
Halogen-Free Status

China RoHS



Need more information on product environmental compliance?

Email productcompliance@molex.com
 For a multiple part number RoHS Certificate of Compliance, [click here](#)

Please visit the [Contact Us](#) section for any non-product compliance questions.

Search Parts in this Series

46235Series

Use With

Micro-Fit 3.0™ Receptacle Housing 43025 , 43645 , 44133

Application Tooling | FAQ

Tooling specifications and manuals are found by selecting the products below. Crimp Height Specifications are then contained in the Application Tooling Specification document.

Global

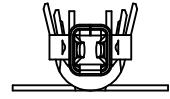
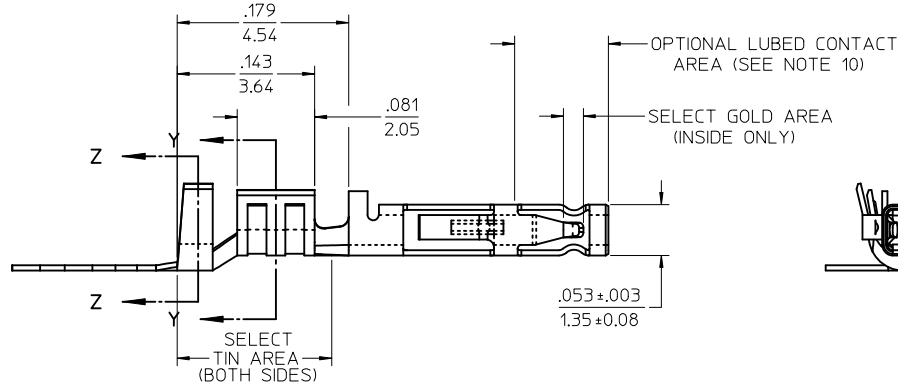
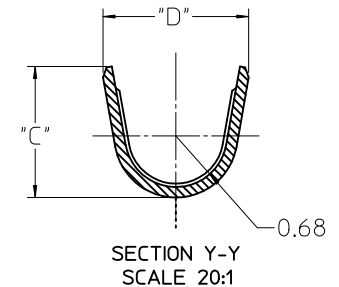
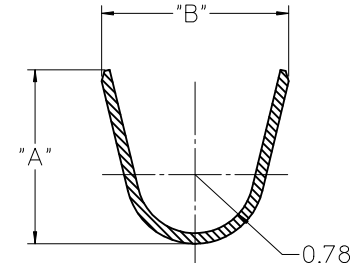
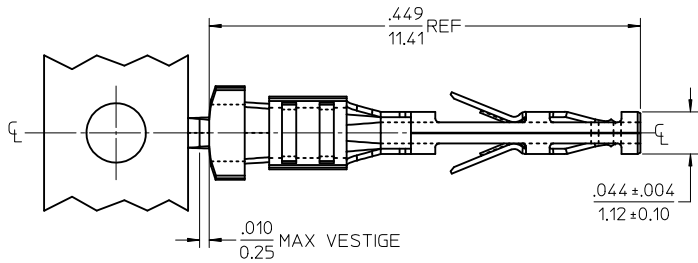
Description	Product #
FineAdjust™ Applicator for Low Force Micro-Fit 3.0™ Crimp Terminals, 20-24 AWG	<u>0639001400</u>
T2 Terminator Tooling to be used with Low Force	<u>0639101400</u>

Micro-Fit 3.0™ Crimp
Terminals, 20-24
Hand Crimp Tool for 0638192900
Low Force Micro-
Fit 3.0™ Crimp
Terminals
Extraction Tool 0011030043

This document was generated on 05/17/2010

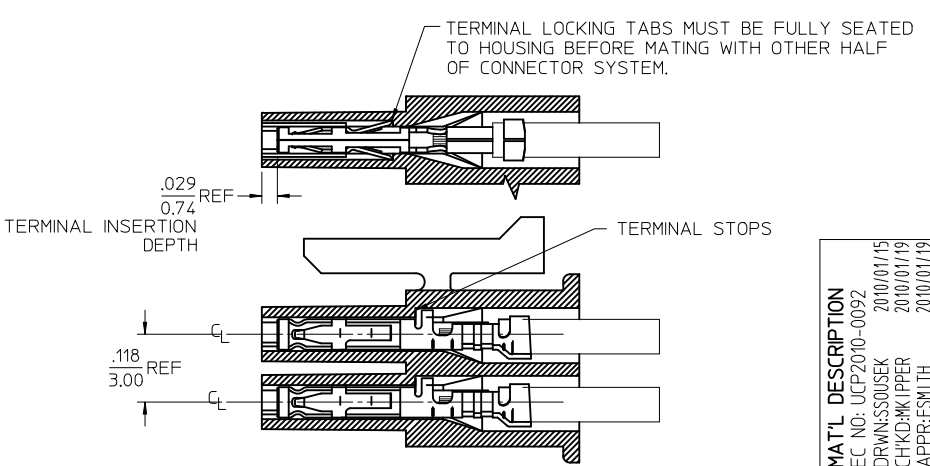
PLEASE CHECK WWW.MOLEX.COM FOR LATEST PART INFORMATION

	13	12	11	10	9	8	7	6	5	4	3	2	1
J	MATERIAL NUMBER	WIRE SIZE	PLATING OPTION	LUBRICATION	MAX INSULATION	"A" ±.012 ±0.30	"B" ±.012 ±0.30	"C" ±.012 ±0.30	"D" ±.012 ±0.30				
	46235-0001	20-24	1	NO	.073	.091	.098	.068	.073				
	46235-0002		2		1.85	2.30	2.48	1.73	1.93				
	46235-0003	26-30	1		.050	.075	.090	.048	.069				
	46235-0004		2	1.27	1.90	2.29	1.22	1.75					
	46235-5001	20-24	1	YES	.073	.091	.098	.068	.073				
	46235-5002		2		1.85	2.30	2.48	1.73	1.93				
I	46235-5003	26-30	1		.050	.075	.090	.048	.069				
	46235-5004		2		1.27	1.90	2.29	1.22	1.75				



NOTES

- MATERIAL: COPPER ALLOY
- TERMINAL PLATING:
 - .000015/0.00038 MIN. SELECT GOLD .000100/0.00254 MIN. SELET TIN ALL OVER .000050/0.00127 MIN. NICKEL OVERALL.
 - .000030/0.00076 MIN. SELECT GOLD .000100/0.00254 MIN. SELET TIN ALL OVER .000050/0.00127 MIN. NICKEL OVERALL.
- PRODUCT SPECIFICATION: PS-46235-001
- PACKAGING SPECIFICATION: PK-46235-001
- TERMINAL FOR USE IN RECEPTACLE SERIES 43025, 43645 AND 44133.
- FOR TERMINAL ORIENTATION IN RECEPTACLE SEE PICTORIAL IN LOWER LEFT CORNER
- THIS TERMINAL IS DESIGNED IN METRIC
- MOLEX RECOMMENDS THE USE OF MICRO-FIT TEST PLUG (SERIES 44242) WHENEVER CONTINUITY TESTING IS PERFORMED. TEST PLUGS MUST NOT BE USED TO MAKE OR BREAK UNDER LOAD. MOLEX DOES NOT RECOMMEND USING STANDARD MATING COMPONENTS (SERIES 43020, 43045, 43640, 43650, OR 43031) FOR HARNESS TESTING PURPOSES
- THIS PART CONFORMS TO CLASS B REQUIREMENTS OF COSMETIC SPEC PS-45499-002
- MOLEX PROPRIETARY CONTACT LUBRICATION EB-1 IS APPLIED IN THE CONTACT AREA AS SHOWN. SEE CHART FOR APPLICABLE PART NUMBERS.



MATL DESCRIPTION	EC NO: UCP2010-0092	2010/01/15	QUALITY SYMBOLS
DRWN:SSOUSEK	2010/01/19	2010/01/19	▽=0
CHKD:MKIPPER	2010/01/19	2010/01/19	▽=0
APPR:FSMITH	2010/01/19		
REV/	DESCRIPTION		
C1			

GENERAL TOLERANCES (UNLESS SPECIFIED)	DIMENSION STYLE		SCALE	DESIGN UNITS	THIRD ANGLE PROJECTION
	IN/MM		10:1	METRIC	
4 PLACES ± --- ± ---	mm	INCH	DRAWN BY	DATE	MICRO-FIT (3.0) FEMALE CRIMP TERMINAL LOW MATE FORCE
3 PLACES ± --- ± .010			TGREGORI	2007/02/05	
2 PLACES ± 0.25 ± .014			CHECKED BY	DATE	
1 PLACE ± 0.35 ± ---			JCOMERC I	2007/03/19	
ANGULAR ± 1/2°			APPROVED BY	DATE	MOLEX INCORPORATED
			JCOMERC I	2007/03/19	
			MATERIAL NO.	DOCUMENT NO.	
DRAFT WHERE APPLICABLE MUST REMAIN WITHIN DIMENSIONS	SEE CHART		SD-46235-001		SHEET NO. 1 OF 1
	THIS DRAWING CONTAINS INFORMATION THAT IS PROPRIETARY TO MOLEX INCORPORATED AND SHOULD NOT BE USED WITHOUT WRITTEN PERMISSION				