

**PLEASE CHECK WWW.MOLEX.COM FOR LATEST PART INFORMATION**

**Part Number:** [0504527325](#)  
**Status:** **Active**  
**Description:** Circuit Breaker Terminal for 3/0 AWG, Closed Uninsulated Brazed Barrel, Stud Size M10, Oxygen-Free Copper, Length 49.00mm (1.929")

**Documents:**

[Drawing \(PDF\)](#) [RoHS Certificate of Compliance \(PDF\)](#)  
[Product Specification PS-50449-002 \(PDF\)](#)

**Agency Certification**

UL E134962

**General**

Product Family Ring and Spade Terminals  
 Series [50452](#)  
 Crimp Quality Equipment Yes  
 Mil-Spec N/A  
 Product Name CB (Circuit Breaker)  
 Type Rectangular

**Physical**

Barrel Type Closed - Brazed  
 Insulation None  
 Material - Plating Mating Tin  
 Packaging Type Bag  
 Plating min: Mating (µin) 40  
 Plating min: Mating (µm) 1  
 Plating min: Termination (µin) 40  
 Plating min: Termination (µm) 1  
 Stud Size M10  
 Termination Interface: Style Crimp or Compression  
 Wire Size AWG 3/0  
 Wire Size mm<sup>2</sup> 76.28 - 96.3

**Material Info**

**Reference - Drawing Numbers**

Product Specification PS-50449-002  
 Sales Drawing SD-50452-7\*25



Series

image - Reference only

**EU RoHS**

**ELV and RoHS Compliant**  
**REACH SVHC**  
 Not Reviewed  
**Halogen-Free Status**  
 Not Reviewed

**China RoHS**



**Need more information on product environmental compliance?**

Email [productcompliance@molex.com](mailto:productcompliance@molex.com)  
 For a multiple part number RoHS Certificate of Compliance, [click here](#)

Please visit the [Contact Us](#) section for any non-product compliance questions.

**Search Parts in this Series**

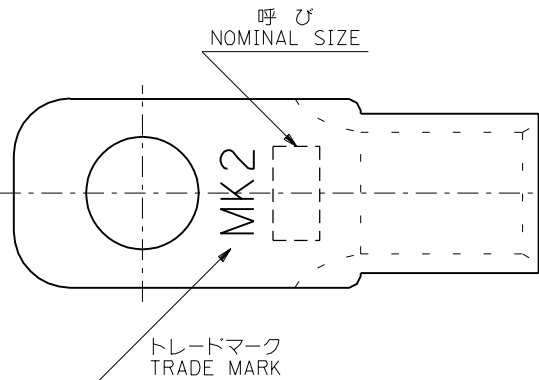
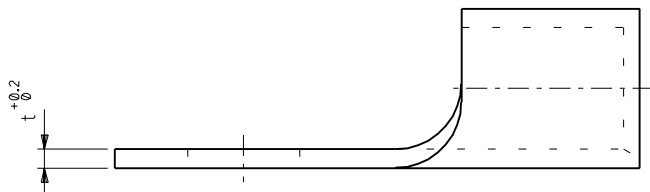
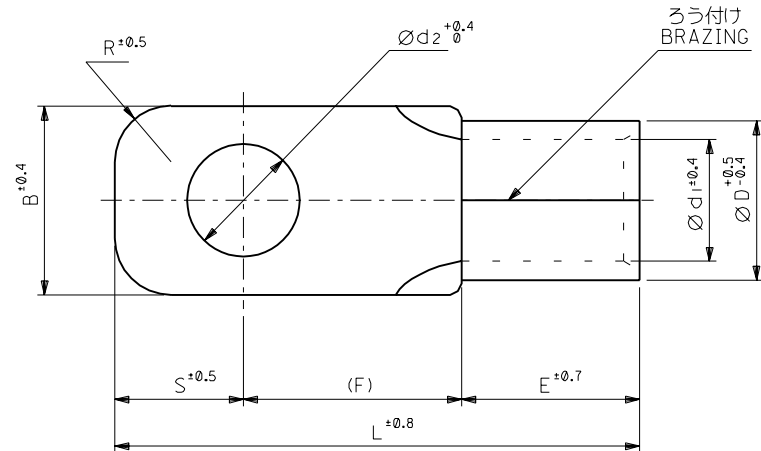
[50452Series](#)

**Application Tooling | [FAQ](#)**

*Tooling specifications and manuals are found by selecting the products below. Crimp Height Specifications are then contained in the Application Tooling Specification document.*

**Japan**

Description	Product #
Tool Kit For 57343-9012	<a href="#">0573439001</a>
Battery Type Hand Crimper For JIS Terminal	<a href="#">0573439004</a>



注記  
NOTES

- 材質 MATERIAL  
端子：無酸素銅、スズメッキ  
TERMINAL OXYGEN FREE HIGH CONDUCTIVITY COPPER, TIN PLATING  
ろう付け部：銀ろう  
PART OF BRAZING : SILVER SOLDER
- 適用電線 APPLICABLE WIRE RANGE

単線 SOLID WIRE	撚線 STRANDED WIRE
Ø9.27-10.41 mm	76.28-96.3 mm <sup>2</sup>

2.3	13.0	49.0	10.0	3.7	20.0	19.0	14.5	19.5	22.0	CB80-12S	50452-7425
	10.5	50.0	11.0	6.4						CB80-10S	50452-7325
	8.4	49.0	10.0	3.7						CB80-8S	50452-7125
t	d2	L	S	R	(F)	E	d1	D	B	呼び NOMINAL SIZE	ENG. NO.
											50452-7025

角度 ANGLE		30°					材料 MATERIAL	注記参照 SEE NOTES	MOLEX-JAPAN CO.,LTD. 日本モレックス株式会社
30以上 OVER		+0.5					仕上げ FINISH	注記参照 SEE NOTES	
10以上 30未満 OVER UNDER		+0.25					適用電線範囲 WIRE RANGE	注記参照 SEE NOTES	TITLE 名称
10未満 UNDER		+0.2					被覆外径 INS. RANGE	—	RING TERMINAL (FOR BREAKER) (銅線用裸圧着端子)
一般公差 GENERAL TOLERANCES	記号 LTR	変更内容 REVISION RECORD	DR. CHK.	日付 DATE	新規作成 (JC90124)	98/10/02	DRAWN BY '98/09/30 H.IIJIMA	CHK'D BY '98/10/02 T.YAMAGUCHI	NON-INSULATED CRIMP-STYLE TERMINAL FOR COPPER CONDUCTORS)
							APP'D BY '98/10/02 M.FUKUSHIMA	尺度 SCALE	—