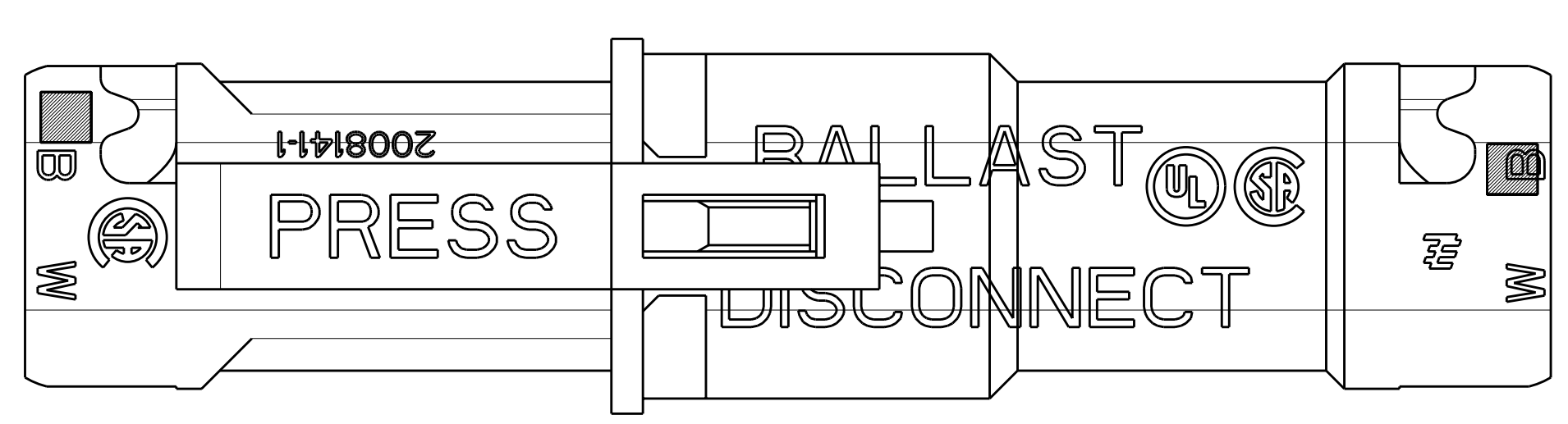
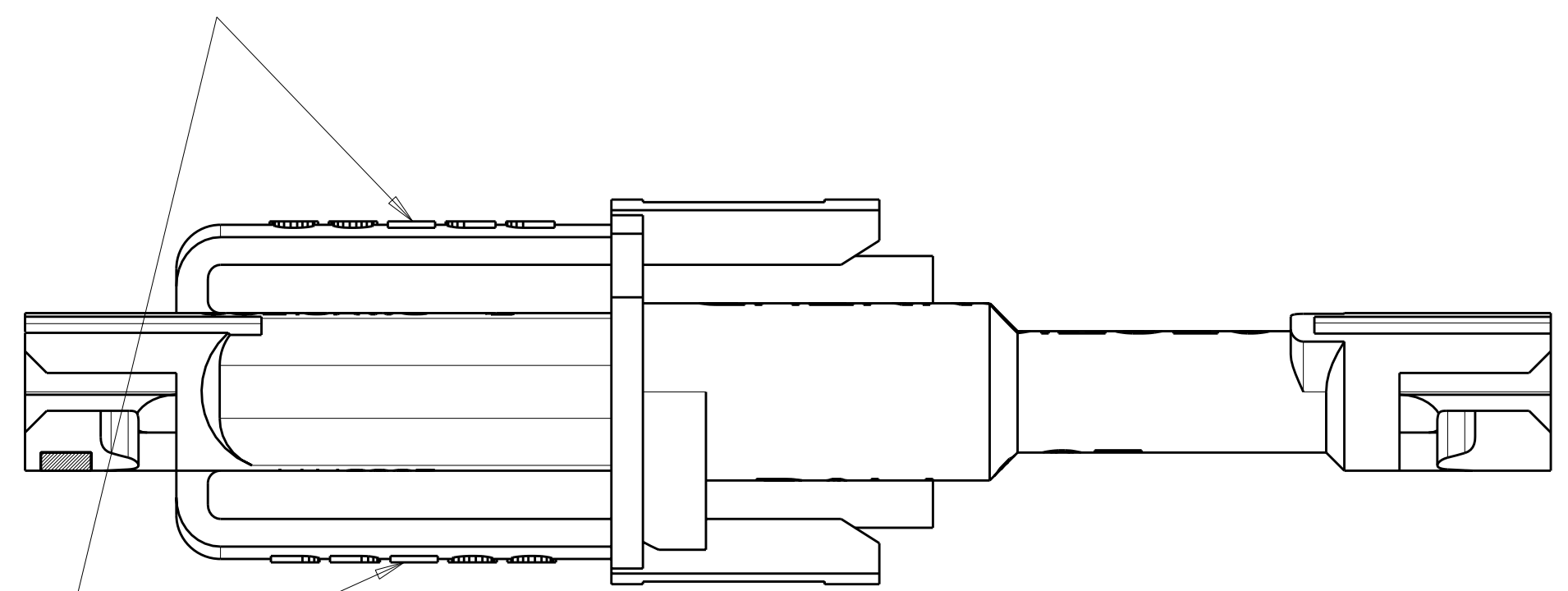
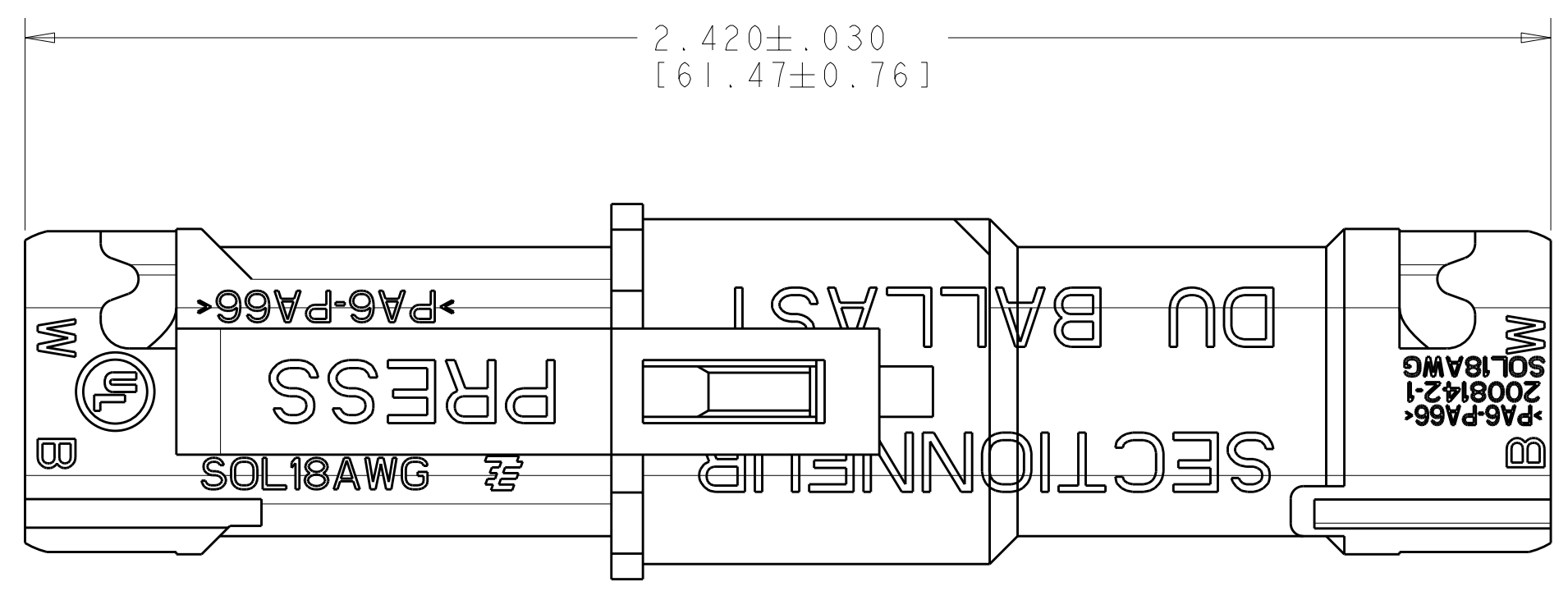
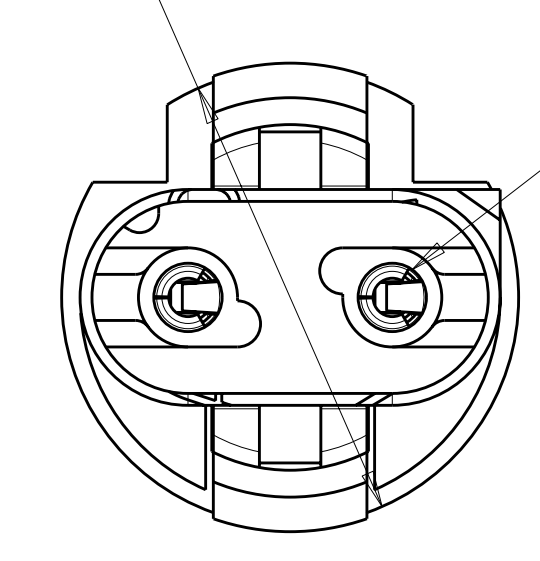


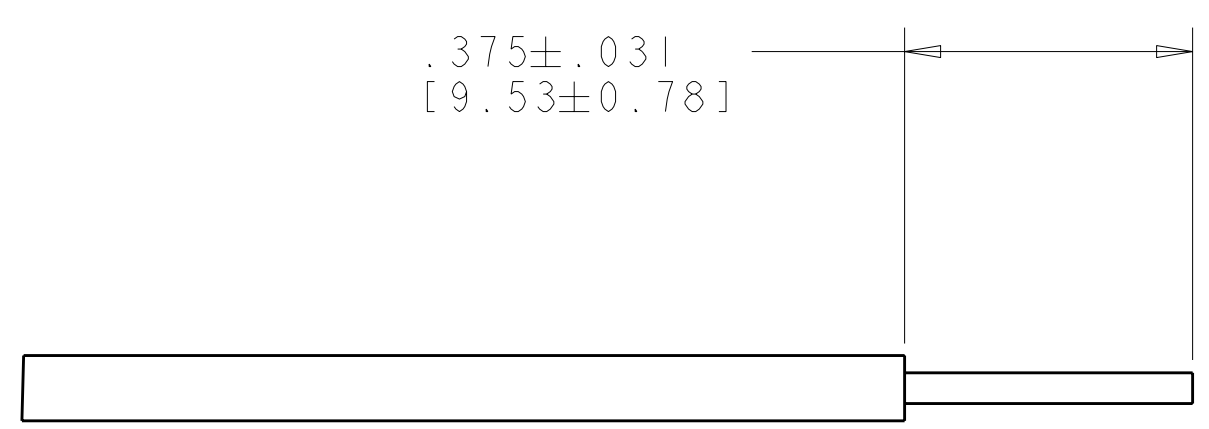
LOC	DIST	REVISIONS			
AF	50	REV	DATE	BY	APPD
		A	RELEASED PER ECO-07-025460	07 NOV 2007	JJK JJK



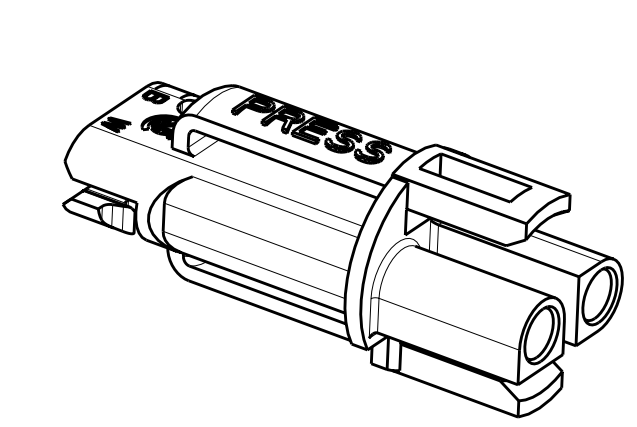
Ø .595 ± .010
[15.11 ± 0.25]



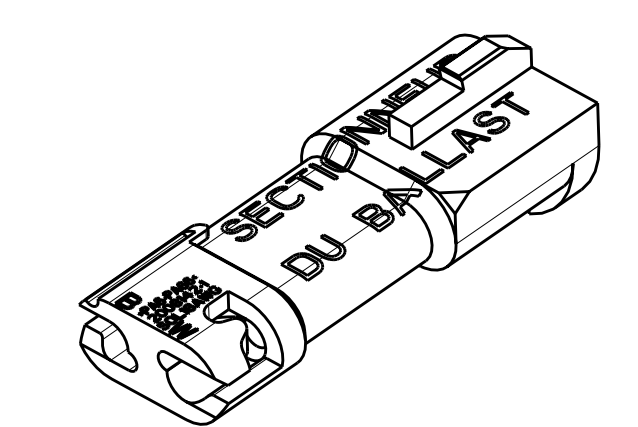
ACCEPTS 18 AWG SOLID WIRE
WITH .086 [2.18] MAX INSULATION DIAMETER
BOTH CONNECTORS



RECOMMENDED WIRE STRIP LENGTH



PLUG CONNECTOR ASSEMBLY



RECEPTACLE CONNECTOR ASSEMBLY

2008144-1
PART NUMBER

<small>THIS DRAWING IS UNPUBLISHED. RELEASED FOR PUBLICATION BY TYCO ELECTRONICS CORPORATION. ALL RIGHTS RESERVED.</small>		DWN: C. DAILY 23APR2007 CHK: J. LANDIS 23APR2007 APVD: -	Tyco Electronics Harrisburg, PA 17105-3608
DIMENSIONS: IN [mm]	TOLERANCES UNLESS OTHERWISE SPECIFIED: 9 PLC ± 1 PLC ± 2 PLC ± 3 PLC ± 4 PLC ± ANGLES ± FINISH ±	PRODUCT SPEC: 108-2275 APPLICATION SPEC: 114-13204 WEIGHT: -	NAME: ASSEMBLY, MATED PAIR, 2 POSITION PLUG AND RECEPTACLE PT, LIGHT-N-LOK SIZE: A 00779 C=2008144 RESTRICTED TO: -
MATERIAL:		CUSTOMER DRAWING SCALE: 2:1 SHEET 1 OF 1 REV A	