

**PLEASE CHECK WWW.MOLEX.COM FOR LATEST PART INFORMATION**

**Part Number:** [0945294109](#)  
**Status:** **Active**  
**Description:** 5.00mm (.197") Pitch RAST, Receptacle, Natural Color, PA Polyamide (Nylon) 6/6, 9 Circuits, Glow Wire Compatible

**Documents:**

[Drawing \(PDF\)](#) [Product Specification PS-94529-002 \(PDF\)](#)  
[Product Specification PS-94529-001 \(PDF\)](#) [RoHS Certificate of Compliance \(PDF\)](#)

**Agency Certification**

CSA LR19980  
 UL E29179

**General**

Product Family Crimp Housings  
 Series [94529](#)  
 Product Name Pitch 5 Edge Card

**Physical**

Breakaway No  
 Circuits (maximum) 9  
 Color - Resin Natural  
 Flammability 94V-0  
 Gender Female  
 Glow-Wire Compliant Yes  
 Lock to Mating Part Yes  
 Material - Resin Nylon  
 Number of Rows 1  
 Packaging Type Bag  
 Panel Mount No  
 Pitch - Mating Interface (in) 0.197 In  
 Pitch - Mating Interface (mm) 5.00 mm  
 Pitch - Term. Interface (in) 0.197 In  
 Pitch - Term. Interface (mm) 5.00 mm  
 Polarized to Mating Part Yes  
 Ports 1  
 Stackable No  
 Temperature Range - Operating -40°C to +105°C, -40°C to +85°C

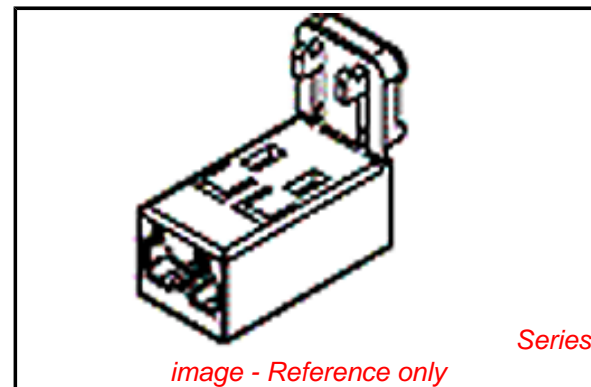
**Electrical**

Current - Maximum per Contact 6A

**Material Info**

**Reference - Drawing Numbers**

Product Specification PS-94529-001, PS-94529-002  
 Sales Drawing SD-94529-025



**EU RoHS**

**ELV and RoHS  
 Compliant**  
**REACH SVHC  
 Not Reviewed**  
**Halogen-Free  
 Status  
 Not Reviewed**

**China RoHS**



**Need more information on product  
 environmental compliance?**

Email [productcompliance@molex.com](mailto:productcompliance@molex.com)  
 For a multiple part number RoHS Certificate of Compliance, [click here](#)

Please visit the [Contact Us](#) section for any non-product compliance questions.

**Search Parts in this Series**

[94529Series](#)

**Mates With**

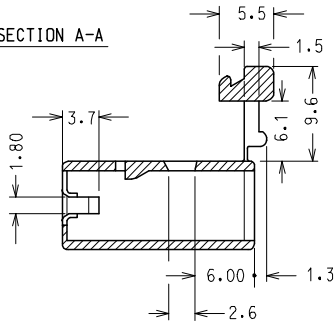
PCB thickness 1.50mm (.059")

**Use With**

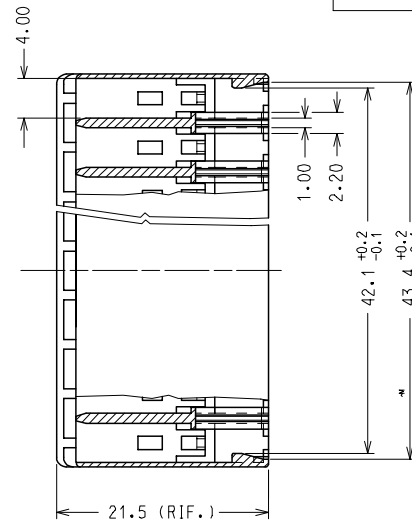
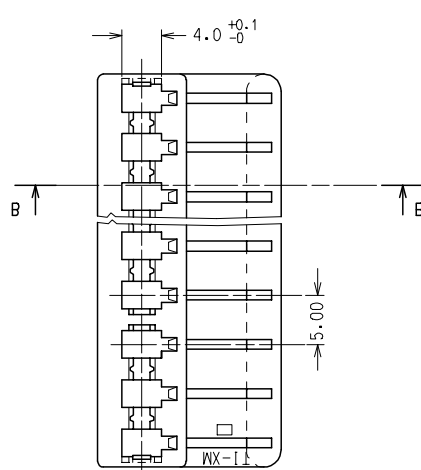
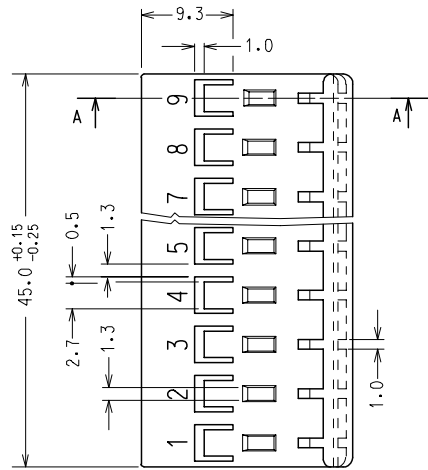
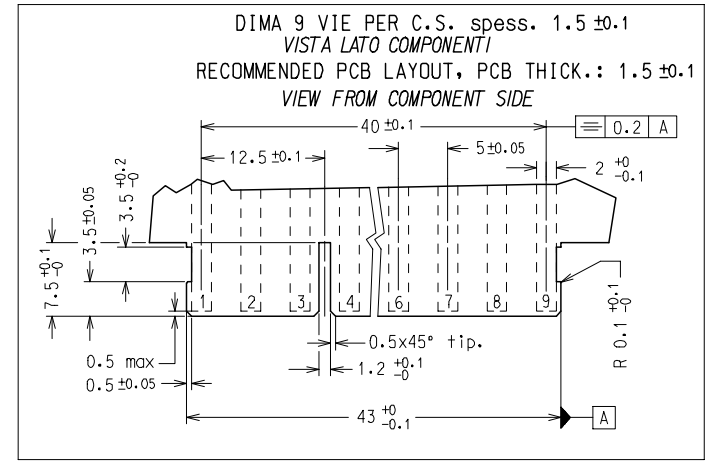
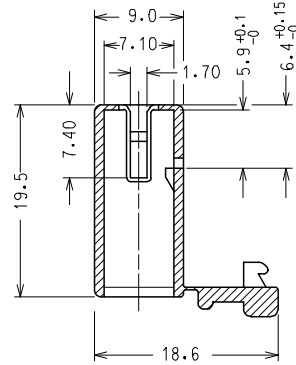
[94529-1203 Terminal](#)

10 9 8 7 6 5 4 3 2 1

SECTION A-A



SECTION B-B



CODICE P/N	MATERIAL
94529-9109	PA 6.6 NAT. UL94 V2 GWT 850 °C
94529-4109	NYLON 6.6 GWT 750 °C sec. IEC 60335-1 TEST METHOD IEC 60695-2-11 NATURAL

NOTA: LE DIMENSIONI VANNO MISURATE  
CON CORPI STABILIZZATI.  
(AUMENTO IN PESO DEL 2.7 %)

NOTE: PARTS SHALL BE DIMENSIONALLY CHECKED AFTER  
ATTAINING EQUILIBRIUM CONDITIONS E.G. 27 % INCREASE  
IN WEIGHT FOR HUMIDITY ABSORPTION FROM DRY STATUS.

CARATTERISTICHE PRODOTTO SECONDO PS-94529  
PRODUCT CHARACTERISTICS ACCORDING TO PS-94529 E

CONFEZIONE: 2500 pz. IN SCATOLA  
PACKAGING: 2500 pcs IN CARTON BOX

SPQ: 2500 pz.

Descr.Std: HSG FOR FORK TERMINAL 9 CKT

QUALITY SYMBOLS	GENERAL TOLERANCES (UNLESS SPECIFIED)		DIMENSION STYLE		SCALE	DESIGN UNITS	FIRST ANGLE PROJECTION
	mm	INCH	MM ONLY	DATE	2:1	METRIC	
▽=0	4 PLACES ±---	±---	DRAWN BY	DATE	TITLE <b>9 CKT HOUSING FOR STRAIGHT FORK TERMINAL</b>		
▽=0	3 PLACES ±---	±---	FGOTTARDO	2001/09/17			
	2 PLACES ±0.1	±---	CHECKED BY	DATE			
	1 PLACE ±0.2	±---	MTESTAGUZZA	2001/09/17			
	ANGULAR ± 2 °		APPROVED BY	DATE			
	DRAFT WHERE APPLICABLE MUST REMAIN WITHIN DIMENSIONS		GZUIN	2001/09/17	MOLEX INCORPORATED		SHEET NO. 1 OF 00
			MATERIAL NO.	DOCUMENT NO.	SD-94529-025		
			SEE TABLE		THIS DRAWING CONTAINS INFORMATION THAT IS PROPRIETARY TO MOLEX INCORPORATED AND SHOULD NOT BE USED WITHOUT WRITTEN PERMISSION		

9 8 7 6 5 4 3 2 1