

**PLEASE CHECK WWW.MOLEX.COM FOR LATEST PART INFORMATION**

**Part Number:** **0878580002**  
**Status:** **Active**  
**Overview:** milligrd  
**Description:** 2.00mm (.079") Pitch Milli-Grid™ Breakaway Header, Surface Mount, Single Row, Vertical, with Peg, without Kapton Tape, Tray Packaging, Mating Pin Length 3.20mm (.126"), 2 Circuits, Lead-free

**Documents:**

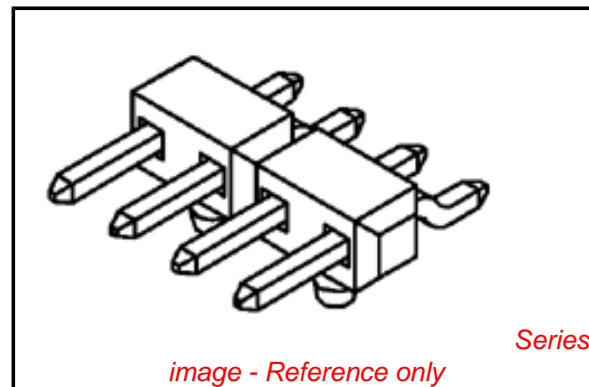
[3D Model](#) [Product Specification PS-87761-100 \(PDF\)](#)  
[Drawing \(PDF\)](#) [RoHS Certificate of Compliance \(PDF\)](#)

**General**

Product Family	PCB Headers
Series	87858
Application	Wire-to-Board
Overview	<u>milligrd</u>
Product Name	Milli-Grid™

**Physical**

Breakaway	Yes
Circuits (Loaded)	2
Circuits (maximum)	2
Color - Resin	Black
First Mate / Last Break	No
Glow-Wire Compliant	No
Guide to Mating Part	No
Keying to Mating Part	None
Lock to Mating Part	None
Mated Height (in)	0.125 In
Mated Height (mm)	3.20 mm
Material - Metal	Copper Alloy
Material - Plating Mating	Tin
Material - Plating Termination	Nickel
Material - Resin	High Temperature Thermoplastic
Number of Rows	1
Orientation	Parallel
PC Tail Length (in)	0.110 In
PC Tail Length (mm)	2.80 mm
PCB Locator	Yes
PCB Retention	None
PCB Thickness Recommended (in)	0.063 In
PCB Thickness Recommended (mm)	1.60 mm
Packaging Type	Tray
Pitch - Mating Interface (in)	0.079 In
Pitch - Mating Interface (mm)	2.00 mm
Pitch - Term. Interface (in)	0.079 In
Pitch - Term. Interface (mm)	2.00 mm
Plating min: Mating (µin)	100
Plating min: Mating (µm)	2.54
Polarized to Mating Part	No
Polarized to PCB	Yes
Shrouded	No
Stackable	No
Temperature Range - Operating	-55°C to +105°C
Termination Interface: Style	Surface Mount



**EU RoHS**

**ELV and RoHS Compliant**  
**REACH SVHC**  
 Not Reviewed  
**Halogen-Free Status**

**China RoHS**



**Not Reviewed**

**Need more information on product environmental compliance?**

Email [productcompliance@molex.com](mailto:productcompliance@molex.com)  
 For a multiple part number RoHS Certificate of Compliance, [click here](#)

Please visit the [Contact Us](#) section for any non-product compliance questions.

**Search Parts in this Series**

87858Series

**Mates With**

2.00 mm (.079") single row receptacles

**Electrical**

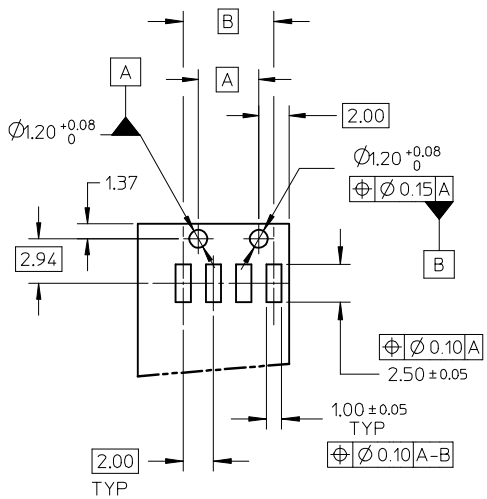
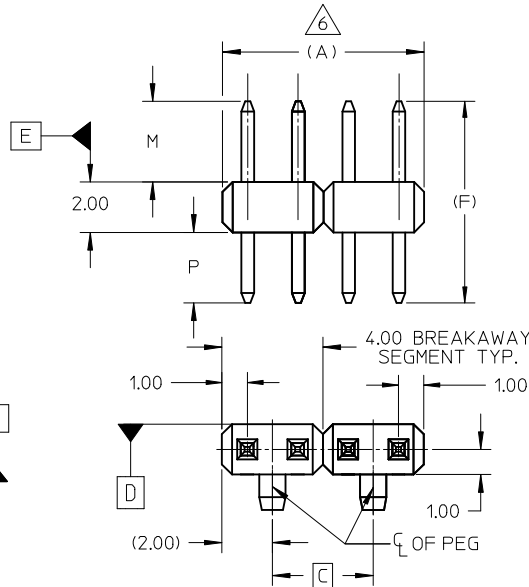
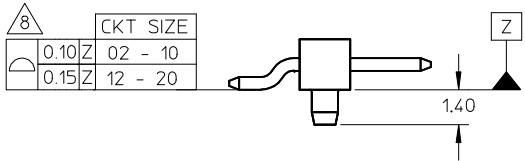
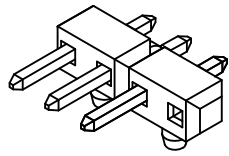
Current - Maximum per Contact	2A
Voltage - Maximum	125V

**Material Info****Reference - Drawing Numbers**

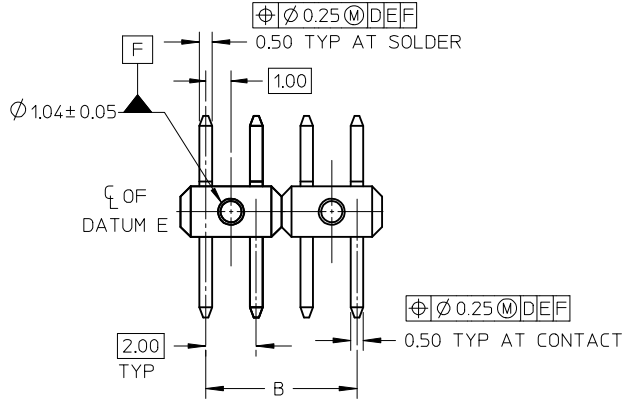
Packaging Specification	PK-89990-487
Product Specification	PS-87761-100
Sales Drawing	SD-87858-001

This document was generated on 05/25/2010

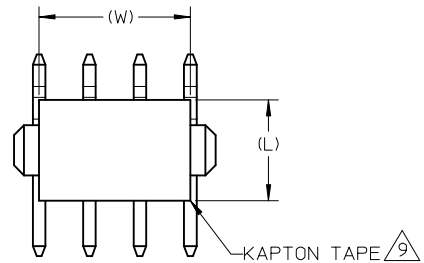
**PLEASE CHECK [WWW.MOLEX.COM](http://WWW.MOLEX.COM) FOR LATEST PART INFORMATION**



RECOMMENDED PCB LAYOUT



- NOTES:
- MATERIAL:  
HSG: LCP, GLASS-FILLED, UL94V-0, COLOR:BLACK  
PIN: 0.50mm SQ, COPPER ALLOY
  - PLATING:  
(1) 2.540µm TIN OVERALL PLATING OVER NICKEL OVERALL  
(2) 5.080µm TIN OVERALL PLATING OVER NICKEL OVERALL
  - PACKAGING TYPE: SEE TABLE
  - PACKAGING SPECIFICATION:  
TRAY: PK-89990-487  
TAPE & REEL: PK-89990-484
  - PRODUCT SPEC PS-87761-100 APPLIES
  - IRREGULAR CIRCUIT CUTOFF WITHIN BREAKAWAY SECTION IS PERMISSIBLE. MEASUREMENT AT BOTH ENDS, FROM CUT END TO THE CENTRELINE OF THE HOUSING CORE HOLE OF THE FIRST PIN REMAINS AT 1.00±0.20MM. CUTTING AND CHIPPING OF THE MAIN BODY IS NOT ACCEPTABLE.
  - THE ABOVE CKT 4 IS FOR ILLUSTRATION PURPOSE ONLY
  - COPLANARITY IS TO BE MEASURED BY RESTING THE SOLDER TAIL ON A GAUGE SURFACE
  - KAPTON TAPE LOCATION IS CENTERED ALONG THE PART AS SHOWN.
  - RECOMMENDED PCB BOARD THICKNESS: 1.60±0.10mm




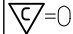
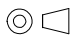

ADD DIMENSIONS EC NO: S2009-0295 DRWN:ATSEE CHKD:SKANG APPR:MLONG 2009/02/09 2009/02/10 2009/02/11	QUALITY SYMBOLS ▽=0 ◻=0	GENERAL TOLERANCES (UNLESS SPECIFIED) mm INCH 4 PLACES ± --- ± --- 3 PLACES ± --- ± --- 2 PLACES ± 0.2 ± --- 1 PLACE ± --- ± --- ANGULAR ± 3 °	DIMENSION STYLE MM ONLY DRAWN BY DATE KSEE 2003/11/14 CHECKED BY DATE KCL ING 2003/12/15 APPROVED BY DATE PTL IM 2003/12/15	SCALE NTS DESIGN UNITS METRIC	THIRD ANGLE PROJECTION
	DRAFT WHERE APPLICABLE MUST REMAIN WITHIN DIMENSIONS	MATERIAL NO. SEE TABLE	TITLE CUSTOM HEADER 2MM SINGLE ROW HDR IN SMT WITH PEG, BREAKAWAY	MOLEX INCORPORATED	SHEET NO. 1 OF 3
	SIZE A3	THIS DRAWING CONTAINS INFORMATION THAT IS PROPRIETARY TO MOLEX INCORPORATED AND SHOULD NOT BE USED WITHOUT WRITTEN PERMISSION	DOCUMENT NO. SD-87858-001		

10 9 8 7 6 5 4 3 2 1

CKT SIZE	DIMENSION		
	A	B	C
02	4.00	2.00	-
04	8.00	6.00	4.00
06	12.00	10.00	8.00
08	16.00	14.00	12.00
10	20.00	18.00	16.00
12	24.00	22.00	20.00
14	28.00	26.00	24.00
16	32.00	30.00	28.00
18	36.00	34.00	32.00
20	40.00	38.00	36.00

PART NO. IN TAPE & REEL PACKAGING	PART NO. IN TRAY PACKAGING	CKT SIZE	PEG	PLATE OPT.	VOID POSITION	KAPTON TAPE	DIMENSION				PACKAGING TYPE	
							F	MATING END	SOLDER TAIL	KAPTON TAPE		
								M	P	W		L
-	87858-0002	2	Y	1	----	N	8.00	3.20	2.80	-	-	-
87858-0250	-	2	N	1	----	Y	8.00	3.20	2.80	4.00	3.00	T1
87858-0003	-	2	Y	1	----	N	10.80	6.00	2.80	-	-	T2
-	87858-0004	4	Y	1	----	N	8.00	3.20	2.80	-	-	-
87858-0450	-	4	N	1	----	Y	8.00	3.20	2.80	4.00	4.00	T1
87858-0460	-	4	N	1	----	Y	8.97	4.17	2.80	4.00	4.00	T1

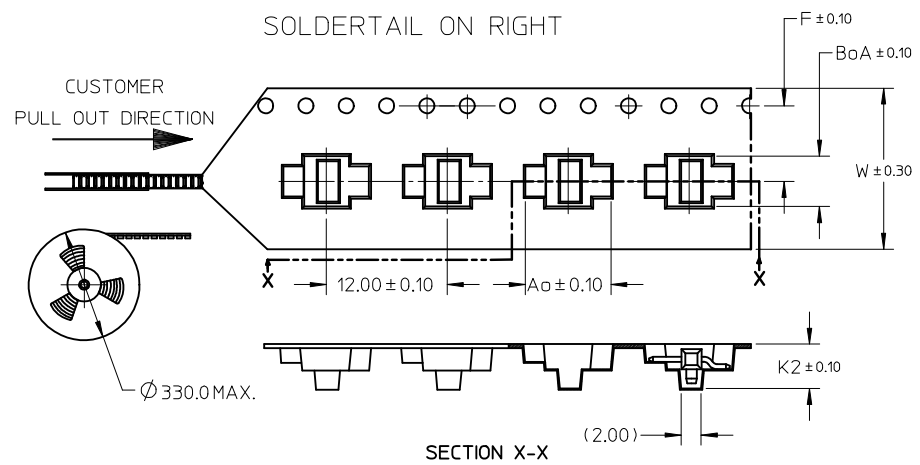
D  
C  
B

ADD DIMENSIONS EC NO: S2009-0295 DRWN:ATSEE CHKD:SKANG APPR:MLONG 2009/02/09 2009/02/10 2009/02/11	QUALITY SYMBOLS	GENERAL TOLERANCES (UNLESS SPECIFIED)	DIMENSION STYLE	SCALE	DESIGN UNITS	THIRD ANGLE PROJECTION															
	 = 0  = 0.2	<table border="1"> <tr><th></th><th>mm</th><th>INCH</th></tr> <tr><td>4 PLACES</td><td>± ---</td><td>± ---</td></tr> <tr><td>3 PLACES</td><td>± ---</td><td>± ---</td></tr> <tr><td>2 PLACES</td><td>± 0.2</td><td>± ---</td></tr> <tr><td>1 PLACE</td><td>± ---</td><td>± ---</td></tr> </table> ANGULAR ± 3 °		mm	INCH	4 PLACES	± ---	± ---	3 PLACES	± ---	± ---	2 PLACES	± 0.2	± ---	1 PLACE	± ---	± ---	MM ONLY	NTS	METRIC	
		mm	INCH																		
4 PLACES	± ---	± ---																			
3 PLACES	± ---	± ---																			
2 PLACES	± 0.2	± ---																			
1 PLACE	± ---	± ---																			
DRAWN BY: KSEE CHECKED BY: KCLING APPROVED BY: PTLIM DATE: 2003/11/14 DATE: 2003/12/15 DATE: 2003/12/15	DRAFT WHERE APPLICABLE MUST REMAIN WITHIN DIMENSIONS		TITLE <b>CUSTOM HEADER          2MM SINGLE ROW HDR IN          SMT WITH PEG, BREAKAWAY</b>  MOLEX INCORPORATED	MATERIAL NO. <b>SEE TABLE</b>	DOCUMENT NO. <b>SD-87858-001</b>	SHEET NO. <b>2 OF 3</b>															

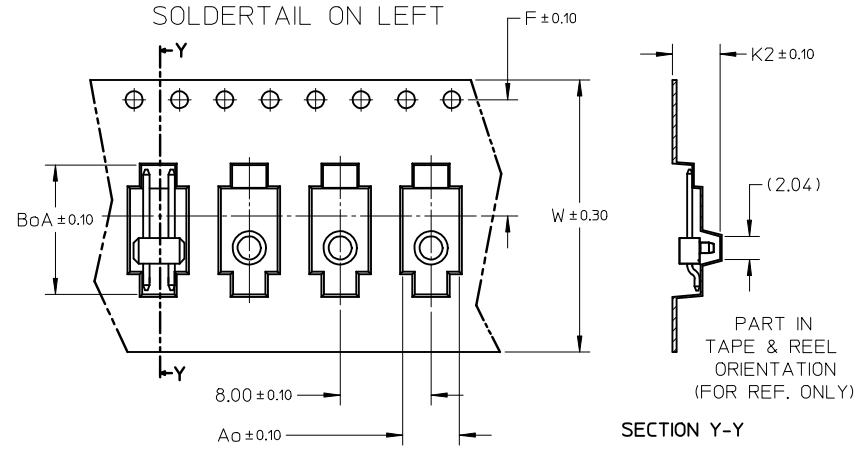
9 8 7 6 5 4 3 2 1

PACKAGING TYPE	CKT	DIMENSION					PACKABLE QTY
		BoA	Ao	K2	F	W	
T1	2	5.00	8.50	4.40	7.50	16.00	1200
	4	9.00	8.50	4.40	11.50	16.00	1200
T2	2	11.40	5.00	4.20	11.50	24.00	2000

TYPE T1 PACKAGING  
SOLDERTAIL ON RIGHT



TYPE T2 PACKAGING  
SOLDERTAIL ON LEFT



NOTES:

- LEADER AND TRAILER TAPE
- PEELING OFF FORCE OF THE TOP TAPE: 20-80gf.  
 (PEELING DIRECTION AS SHOWN IN FOLLOWING FIGURE)
- MATERIAL: BLACK P.S CONDUCTIVE, THICKNESS 0.40±0.10.
- PACKAGING STANDARD IS AS PER EIA-481.
- THE TAPE IS TREATED FOR ANTI-STATIC.

ADD DIMENSIONS EC NO: S2009-0295 DRWN:ATSEE CHKD:SKANG APPR:MLONG 2009/02/09 2009/02/10 2009/02/11	QUALITY SYMBOLS	GENERAL TOLERANCES (UNLESS SPECIFIED)	DIMENSION STYLE	SCALE	DESIGN UNITS	THIRD ANGLE PROJECTION															
	$\nabla=0$ $\square=0$	<table border="1"> <thead> <tr> <th></th> <th>mm</th> <th>INCH</th> </tr> </thead> <tbody> <tr> <td>4 PLACES</td> <td>± ---</td> <td>± ---</td> </tr> <tr> <td>3 PLACES</td> <td>± ---</td> <td>± ---</td> </tr> <tr> <td>2 PLACES</td> <td>± 0.2</td> <td>± ---</td> </tr> <tr> <td>1 PLACE</td> <td>± ---</td> <td>± ---</td> </tr> </tbody> </table>		mm	INCH	4 PLACES	± ---	± ---	3 PLACES	± ---	± ---	2 PLACES	± 0.2	± ---	1 PLACE	± ---	± ---	MM ONLY	NTS	METRIC	
		mm	INCH																		
	4 PLACES	± ---	± ---																		
3 PLACES	± ---	± ---																			
2 PLACES	± 0.2	± ---																			
1 PLACE	± ---	± ---																			
DESCRIPTION	<table border="1"> <thead> <tr> <th>DRAWN BY</th> <th>DATE</th> <th>TITLE</th> </tr> </thead> <tbody> <tr> <td>KSEE</td> <td>2003/11/14</td> <td rowspan="3">CUSTOM HEADER 2MM SINGLE ROW HDR IN SMT WITH PEG, BREAKAWAY</td> </tr> <tr> <td>CHECKED BY</td> <td>DATE</td> </tr> <tr> <td>APPROVED BY</td> <td>DATE</td> </tr> </tbody> </table>	DRAWN BY	DATE	TITLE	KSEE	2003/11/14	CUSTOM HEADER 2MM SINGLE ROW HDR IN SMT WITH PEG, BREAKAWAY	CHECKED BY	DATE	APPROVED BY	DATE	<table border="1"> <thead> <tr> <th>MATERIAL NO.</th> <th>DOCUMENT NO.</th> <th>SHEET NO.</th> </tr> </thead> <tbody> <tr> <td>SEE TABLE</td> <td>SD-87858-001</td> <td>3 OF 3</td> </tr> </tbody> </table>	MATERIAL NO.	DOCUMENT NO.	SHEET NO.	SEE TABLE	SD-87858-001	3 OF 3			
DRAWN BY	DATE	TITLE																			
KSEE	2003/11/14	CUSTOM HEADER 2MM SINGLE ROW HDR IN SMT WITH PEG, BREAKAWAY																			
CHECKED BY	DATE																				
APPROVED BY	DATE																				
MATERIAL NO.	DOCUMENT NO.	SHEET NO.																			
SEE TABLE	SD-87858-001	3 OF 3																			
REV	<table border="1"> <thead> <tr> <th>SIZE</th> <th colspan="2">THIS DRAWING CONTAINS INFORMATION THAT IS PROPRIETARY TO MOLEX INCORPORATED AND SHOULD NOT BE USED WITHOUT WRITTEN PERMISSION</th> </tr> </thead> <tbody> <tr> <td>A3</td> <td colspan="2"></td> </tr> </tbody> </table>	SIZE	THIS DRAWING CONTAINS INFORMATION THAT IS PROPRIETARY TO MOLEX INCORPORATED AND SHOULD NOT BE USED WITHOUT WRITTEN PERMISSION		A3																
SIZE	THIS DRAWING CONTAINS INFORMATION THAT IS PROPRIETARY TO MOLEX INCORPORATED AND SHOULD NOT BE USED WITHOUT WRITTEN PERMISSION																				
A3																					