

PLEASE CHECK WWW.MOLEX.COM FOR LATEST PART INFORMATION

Part Number: [0192160002](#)
Status: **Active**
Description: Multi-Lock Connector for 10-12 AWG Wire

Documents:

[Drawing \(PDF\)](#) [RoHS Certificate of Compliance \(PDF\)](#)

Agency Certification

UL E32244

General

Product Family Splices
 Series [19216](#)
 Comments .700" x .500" when closed
 Crimp Quality Equipment Yes
 Mil-Spec N/A
 MolexKits Yes
 Product Name Multi-Lock

Physical

Barrel Type Closed
 Flammability 94V-0
 Insulation Polypropylene
 Packaging Type Bag
 Temperature Range - Operating 105°C
 Wire Insulation Diameter 4.8mm (.19") & 4.1mm (.17"), t
 Wire Size AWG 10, 12
 Wire Size mm² N/A

Electrical

Voltage - Maximum 600V

Material Info

Old Part Number ML-1210

Reference - Drawing Numbers

Sales Drawing SD-19216-003

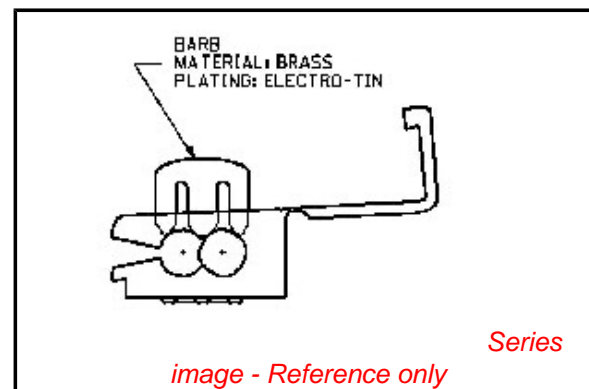


image - Reference only

EU RoHS

**ELV and RoHS
Compliant**
REACH SVHC
 Not Reviewed
**Halogen-Free
Status**

China RoHS



Not Reviewed

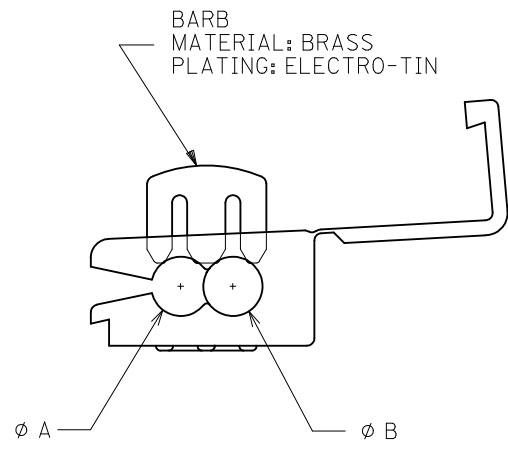
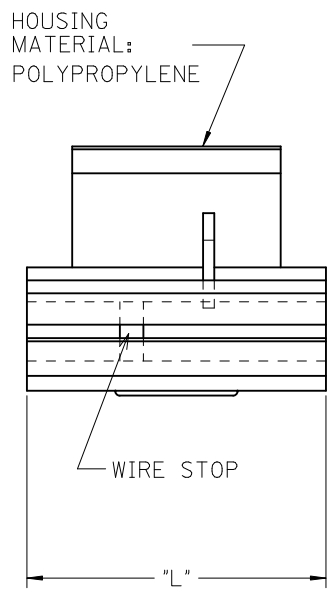
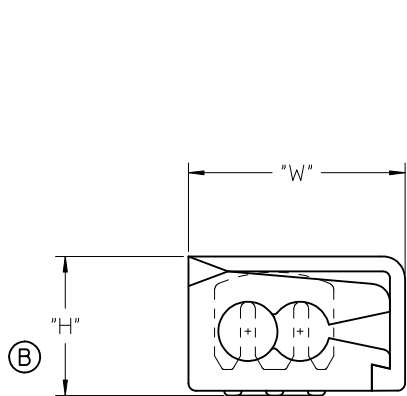
**Need more information on product
environmental compliance?**

Email productcompliance@molex.com
 For a multiple part number RoHS Certificate of
 Compliance, [click here](#)

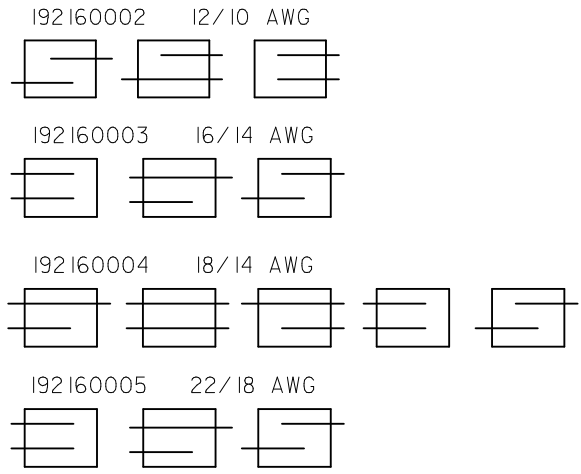
Please visit the [Contact Us](#) section for any
 non-product compliance questions.

Search Parts in this Series
[19216Series](#)

MATERIAL NUMBER	ALTERNATE NUMBER	WIRE SIZE	WIRE STOP	COLOR	"H" MAX	"W" MAX	"L" MAX	ⓑ "A" MIN	ⓑ "B" MIN
192160002	ⓑ ML-1210	12-10	YES	YELLOW	.52/(13.2)	.74/(18.8)	.80/(20.3)	.160/(4.06)	.185/(4.70)
192160003	ML-1614	16-14	YES	BLUE	.42/(10.7)	.55/(13.8)	.79/(20.1)	.125/(3.17)	.130/(3.30)
192160004	ML-1814	18-14	NO	WHITE	.42/(10.7)	.55/(13.8)	.79/(20.1)	.125/(3.17)	.130/(3.30)
192160005	ML-2218	22-18	YES	RED	.42/(10.7)	.55/(13.8)	.79/(20.1)	.120/(3.04)	.120/(3.04)



POSSIBLE WIRE CONFIGURATIONS



NOTE:
ⓑ PARTS ARE ROHS COMPLIANT.

CUSTOMER DRAWING

ADD 1210, FIX DIMS EC NO: WNA2010-0315 DR: WNETHRODAHL 2009/12/18 CHKD: JMACNEIL 2009/12/18 APPR: JMACNEIL 2009/12/18 B	QUALITY SYMBOLS ▽=0 ▽7=0	GENERAL TOLERANCES (UNLESS SPECIFIED)		DIMENSION STYLE IN/MM		SCALE 1:1	DESIGN UNITS INCH	THIRD ANGLE PROJECTION			
		4 PLACES ± --- ± ---	INCH	DRAWN BY EDB	DATE 2000/11/22	MULTI LOCK CONNECTOR 22 THROUGH 10 AWG					
		3 PLACES ± --- ± .005	INCH	CHECKED BY HEB	DATE 2000/11/22						
		2 PLACES ± 0.13 ± .01	INCH	APPROVED BY RWD	DATE 2000/11/22	MATERIAL NO. SEE CHART		DOCUMENT NO. SD-19216-003		SHEET NO. 1 OF 1	
DRAFT WHERE APPLICABLE MUST REMAIN WITHIN DIMENSIONS		THIS DRAWING CONTAINS INFORMATION THAT IS PROPRIETARY TO MOLEX INCORPORATED AND SHOULD NOT BE USED WITHOUT WRITTEN PERMISSION									