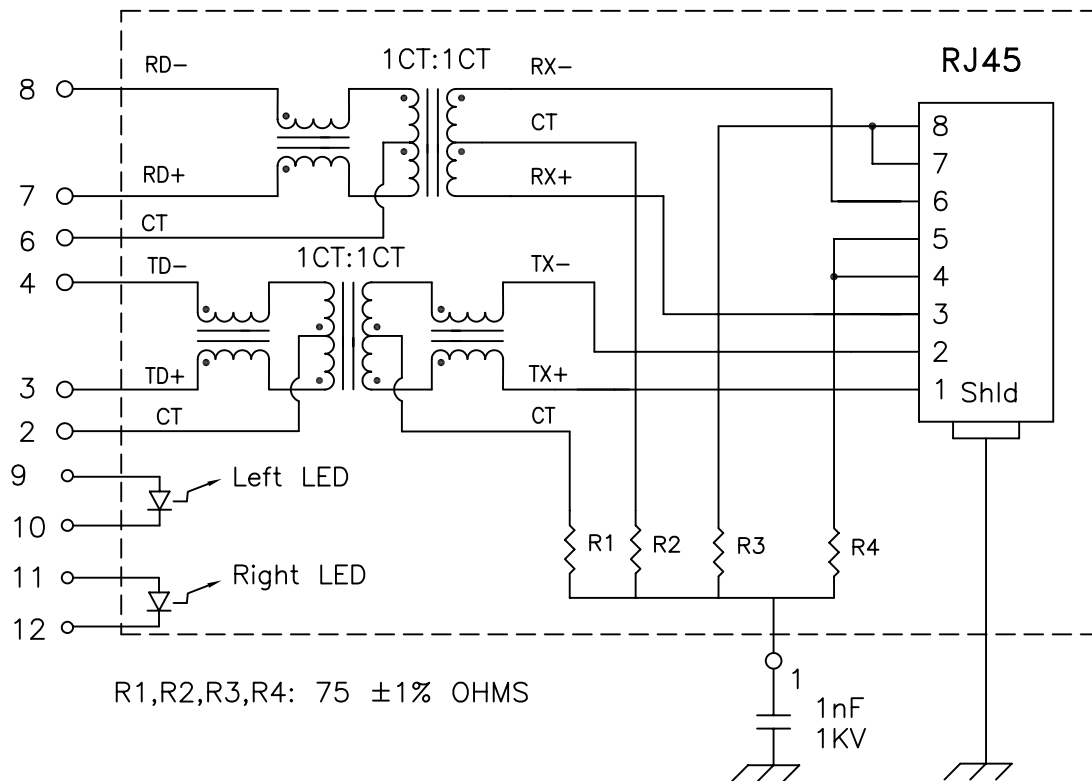


Schematic:



Electrical Specifications: @25°C

Isolation Voltage: 1500Vrms

UTP SIDE OCL: 350uH Min @100KHz 100mV 8mADC

Rise Time (10-90%): 2.5ns Typical

Insertion Loss (100KHz-100MHz): -1.1dB Maximum

Insertion Loss (100MHz-125MHz): -1.5dB Maximum

Return Loss: -18dB Min. @30MHz

-12dB Typical. @80MHz

Crosstalk:

100KHz-60MHz -40dB Typical

60MHz-100MHz -38dB Typical

Common Mode to Differential Mode Rejection:

100KHz-60MHz -45dB Typ (Tx) / -40dB Typ (Rx)

60MHz-100MHz -40dB Typ (Tx) / -35dB Typ (Rx)

Note:

1. Solderability: Leads shall meet MIL-STD-202, Method 208D for solderability.
2. Flammability: UL94V-0,
3. ASTM oxygen index: > 28% ,
4. Temperature rating: 155°C. UL file E151556,
5. Operating Temperature Range: All listed parameters are to be within tolerance from -40°C to +85°C

Complete the Combo P/N as follows:

Replace 'x' & 'u' in the part number with one of the LED color letters:

Y=Yellow

'x' = Left LED Color

G=Green

'u' = Right LED Color

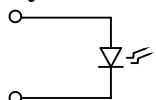
A=Amber

R=Red

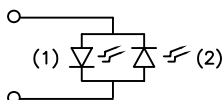
N=Yellow(1)/Green(2) Bicolor

M=Green(1)/Yellow(2) Bicolor

Single Color LED:



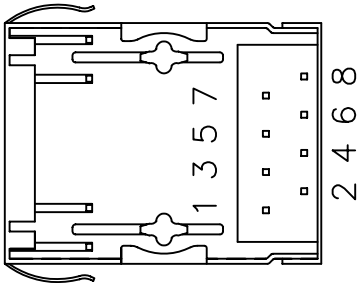
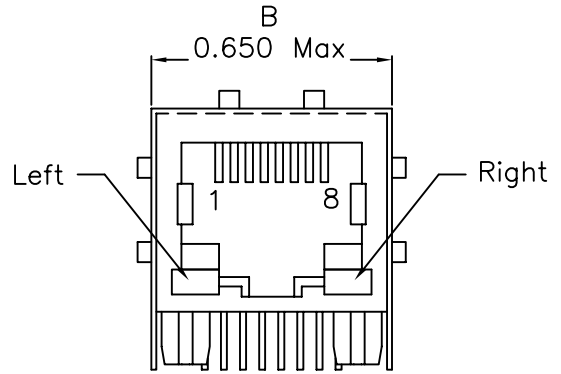
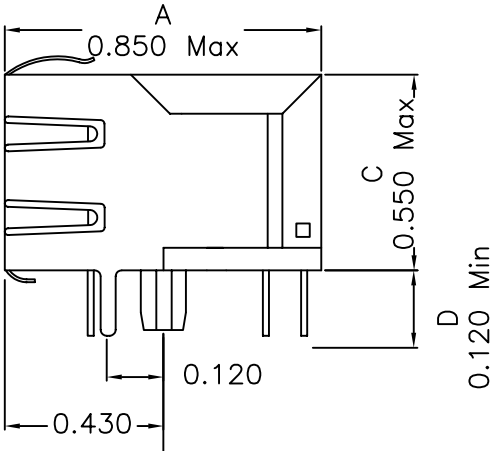
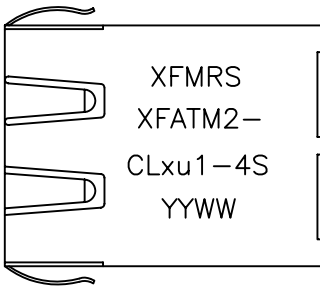
Bi-Color LED:



DOC. REV A/2

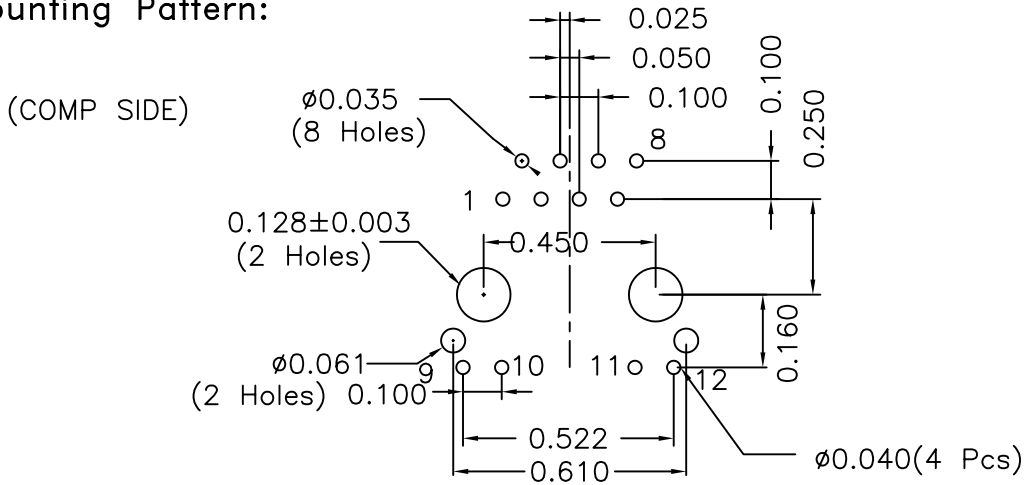
XFMRS Inc.	Title: SINGLE PORTS COMBO		
	UNLESS OTHERWISE SPECIFIED TOLERANCES: .xxx ±0.010 Dimensions in Inch	P/N: XFATM2-CLxu1-4S	REV. A
SHEET 1 OF 2	DWN.	罗振江	Jun-26-03
	CHK.	廖玉坤	Jun-26-03
	APP.	Isaiah M	Jun-26-03

Mechanical Dimensions:



(BOTTOM VIEW)

Mounting Pattern:



XFMRS Inc.	Title: Mechanical Dimensions For CLxu1-4S Series		
	UNLESS OTHERWISE SPECIFIED TOLERANCES: .xxx ±0.010 Dimensions in Inch	P/N: XFATM2-CLxu1-4S	REV. A
DOC. REV: A/2		DWN. 罗振江	Jun-26-03
		CHK. 廖玉坤	Jun-26-03
	SHEET 2 OF 2	APP. Isaiah M	Jun-26-03