

**PLEASE CHECK WWW.MOLEX.COM FOR LATEST PART INFORMATION**

**Part Number:** [0511980800](#)  
**Status:** **Active**  
**Description:** 2.50mm (.098") Pitch Wire-to-Wire Plug Housing, Positive Lock, Panel Mount, 8 Circuits

**Documents:**

[3D Model](#) [Product Specification PS-51198-003 \(PDF\)](#)  
[Drawing \(PDF\)](#) [RoHS Certificate of Compliance \(PDF\)](#)

**Agency Certification**

|     |           |
|-----|-----------|
| CSA | LR19980   |
| TUV | R72081037 |
| UL  | E29179    |

**General**

|                |                       |
|----------------|-----------------------|
| Product Family | Crimp Housings        |
| Series         | <a href="#">51198</a> |
| Product Name   | N/A                   |

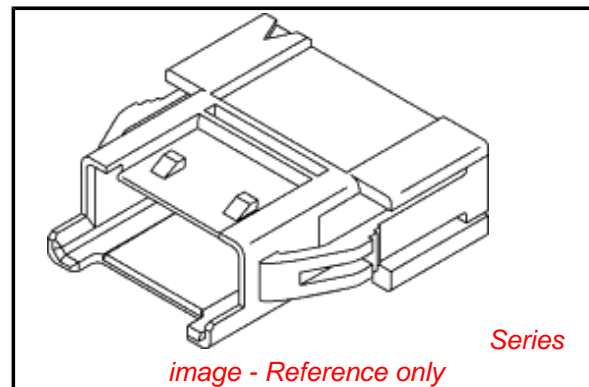
**Physical**

|                               |                 |
|-------------------------------|-----------------|
| Circuits (maximum)            | 8               |
| Color - Resin                 | Natural         |
| Flammability                  | 94V-0           |
| Gender                        | Male            |
| Glow-Wire Compliant           | No              |
| Material - Resin              | Polyester       |
| Number of Rows                | 1               |
| Packaging Type                | Bag             |
| Panel Mount                   | Yes             |
| Pitch - Mating Interface (in) | 0.098 In        |
| Pitch - Mating Interface (mm) | 2.50 mm         |
| Stackable                     | No              |
| Temperature Range - Operating | -40°C to +105°C |

**Material Info**

**Reference - Drawing Numbers**

|                       |              |
|-----------------------|--------------|
| Product Specification | PS-51198-003 |
| Sales Drawing         | SD-51198-002 |



**EU RoHS**

**ELV and RoHS Compliant**  
**REACH SVHC Contains SVHC: No**  
**Halogen-Free Status**  
**Not Reviewed**

**China RoHS**



**Need more information on product environmental compliance?**

Email [productcompliance@molex.com](mailto:productcompliance@molex.com)  
 For a multiple part number RoHS Certificate of Compliance, [click here](#)

Please visit the [Contact Us](#) section for any non-product compliance questions.

**Search Parts in this Series**

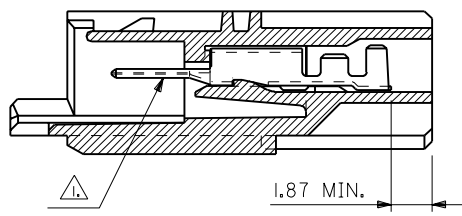
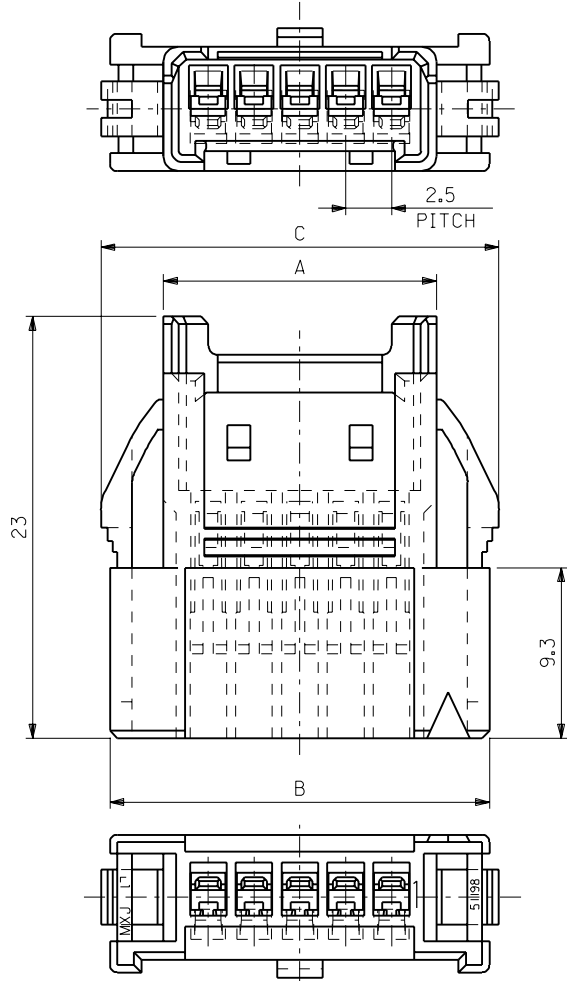
[51198Series](#)

**Mates With**

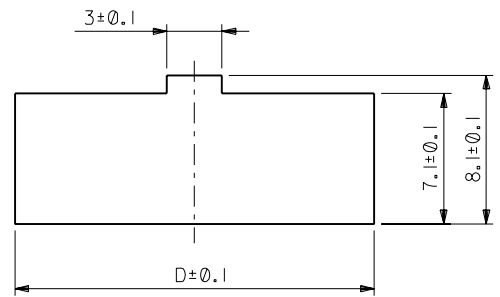
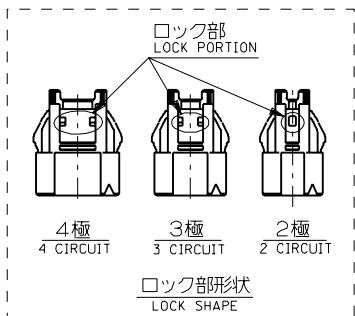
[51103](#)

**Use With**

[50837](#)



ターミナル装着状態図  
TERMINAL ASSEMBLY DRAWING



参考パネルスロット寸法  
PANEL SLOT DIM.(REF.)  
(パネル厚: 0.8 ~ 2.0)  
(THICKNESS : 0.8 ~ 2.0)

注記  
NOTES.

- 1. 適合端子 : 50837-8\*00  
APPLICABLE TERMINAL
- 2. 本図は、5極を示す。  
5 CIRCUIT VERSION IS SHOWN  
IN THIS DRAWING.
- 3. ハウジングは、パネル打ち抜き側から  
挿入すること。  
INSERT HOUSING FROM PUNCH  
SIDE OF PANEL

|      |      |      |      |                      |                   |
|------|------|------|------|----------------------|-------------------|
| 44.6 | 46.7 | 45.7 | 39.9 | 51198-1500           | 15                |
| 42.1 | 44.2 | 43.2 | 37.4 | -1400                | 14                |
| 39.6 | 41.7 | 40.7 | 34.9 | -1300                | 13                |
| 37.1 | 39.2 | 38.2 | 32.4 | -1200                | 12                |
| 34.6 | 36.7 | 35.7 | 29.9 | -1100                | 11                |
| 32.1 | 34.2 | 33.2 | 27.4 | -1000                | 10                |
| 29.6 | 31.7 | 30.7 | 24.9 | -0900                | 9                 |
| 27.1 | 29.2 | 28.2 | 22.4 | -0800                | 8                 |
| 24.6 | 26.7 | 25.7 | 19.9 | -0700                | 7                 |
| 22.1 | 24.2 | 23.2 | 17.4 | -0600                | 6                 |
| 19.6 | 21.7 | 20.7 | 14.9 | -0500                | 5                 |
| 17.1 | 19.2 | 18.2 | 12.4 | -0400                | 4                 |
| 14.6 | 16.7 | 15.7 | 9.9  | -0300                | 3                 |
| 12.1 | 14.2 | 13.2 | 7.4  | 51198-0200           | 2                 |
| D    | C    | B    | A    | 製品番号<br>MATERIAL NO. | NO. OF<br>CIRCUIT |

|                                  |                                  |                                  |   |  |   |              |  |  |   |                           |                             |                     |
|----------------------------------|----------------------------------|----------------------------------|---|--|---|--------------|--|--|---|---------------------------|-----------------------------|---------------------|
| EC NO.<br>DRWN:<br>CHK:<br>APPR: | EC NO.<br>DRWN:<br>CHK:<br>APPR: | EC NO.<br>DRWN:<br>CHK:<br>APPR: | 変<br>更<br>更<br>REVISED  | MATERIAL<br>材料<br>ポリエステル(PBT) POLYESTER<br>色:白<br>COLOR : WHITE<br>UL94V-0 | GENERAL TOLERANCES:<br>(UNLESS SPECIFIED)<br>一般公差 | SCALE<br>4-1 | DESIGN UNITS<br><input checked="" type="checkbox"/> mm <input type="checkbox"/> INCH | THIRD ANGLE<br>PROJECTION  | SHT<br>REV                              | REVISE ON<br>CAD ONLY     |                             |                     |
|                                  |                                  |                                  | EC No. JD2000-0620<br>DRWN: M. YAGI '99/12/16<br>CHK: S. CHIKAWA/Y. ITO<br>APPR: H. IKESUGI |  |   |              |  |  |   |                           |                             |                     |
| A                                | 0                                | REV                              | 新規作成 RELEASED   | FINISH<br>仕上付  | 10 UNDER<br>未満                                    | ±0.2         | DRAWN BY & DATE<br><i>M. Yagi</i><br>'98/05/14                                       | TITLE:<br>2.5 WIRE TO BOARD CONN.<br>PANEL MOUNT HS'G  | APPROVED BY & DATE<br><i>H. Ikesugi</i> | MATERIAL NO.<br>SEE CHART | DRAWING NO.<br>SD-51198-002 | SHEET NO.<br>1 OF 1 |
|                                  |                                  |                                  | EC No. JD90181<br>DRWN: M. YAGI '98/05/14<br>CHK: Y. ITO<br>APPR: H. IKESUGI                | WIRE RANGE<br>適用線径範囲   | 10 OVER<br>以上 30 UNDER<br>未満                      | ±0.25        | CHECKED BY & DATE<br><i>Y. Ito</i>   |  |   |                           |                             |                     |
| 8                                | 7                                | 6                                | 5   | 4  | 3   | 2            | 1  | THIS DRAWING CONTAINS INFORMATION THAT IS PROPRIETARY TO MOLEX INCORPORATED AND SHOULD NOT BE USED WITHOUT WRITTEN PERMISSION. |   | SIZE<br>B                 | EN-02J(097) MXJ-54          |                     |