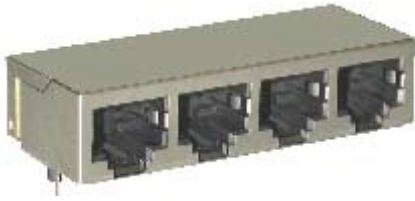


1X4 RJ45 CONNECTOR MODULE WITH INTEGRATED 10 BASE T MAGNETICS & FILTER

P/N : LF4S022 “LAN-MATE” SERIES

Feature

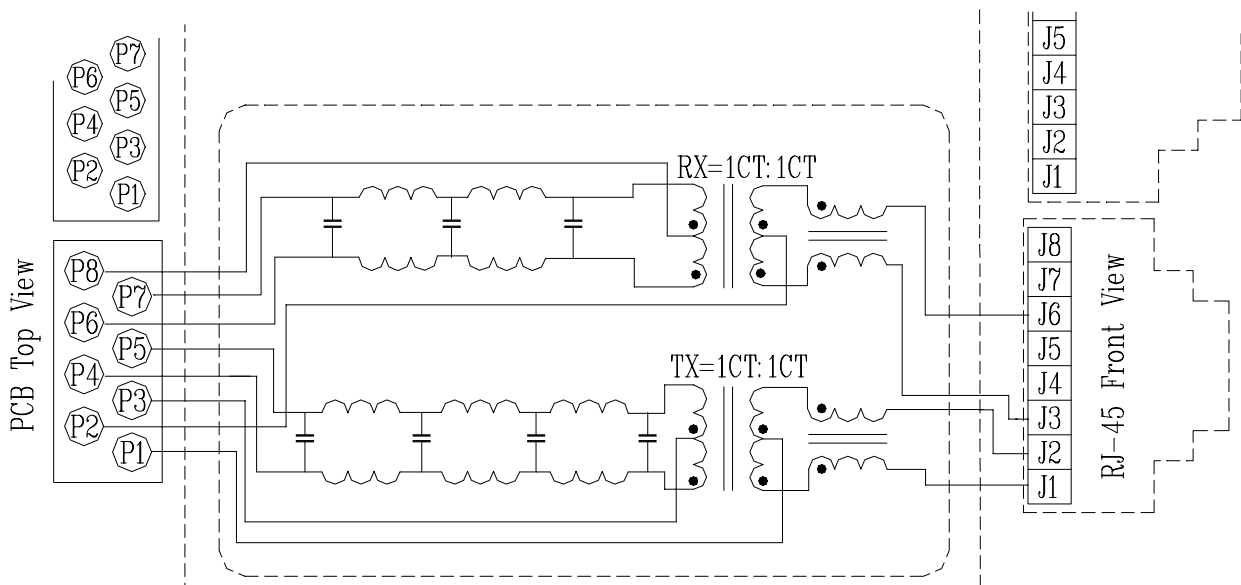


- RJ-45 connector integrated with filter .
- Size same as RJ-45 connector to save PCB Board space.
- Reduce EMI radiation, improve EMI performance.
- Operating temperature range: 0°C to +70°C .
- Storage temperature range: -40°C to +125°C

Electrical Specifications @ 25°C						
Part Number	Turns Ratio (±5%)		Type (POLE)		CUT OFF Frequency (TX/RX)	Voltage isolation (Vrms)
	TX	RX	TX	RX		
LF4S022	1CT:1CT	1CT:1CT	7	5	17 MHz±1 MHz	1200

Continue								
Part Number	Insertion Loss TX/RX(dB Max.)	Return Loss TX/RX(dB Min)	Attenuation TX/RX(dB Max)				Cross talk Attenuation TX/RX(dB Min)	Common Mode Rejection TX/RX (dB Min)
	1-10MHz	5-10MHz	20MHz	25MHz	30MHz	40MHz	1-10MHz	30-100MHz
LF4S022	-1.0	-13.5	-5/-4.2	-18/-11	-28/-16	-33/-26	-30/-30	-30/-30

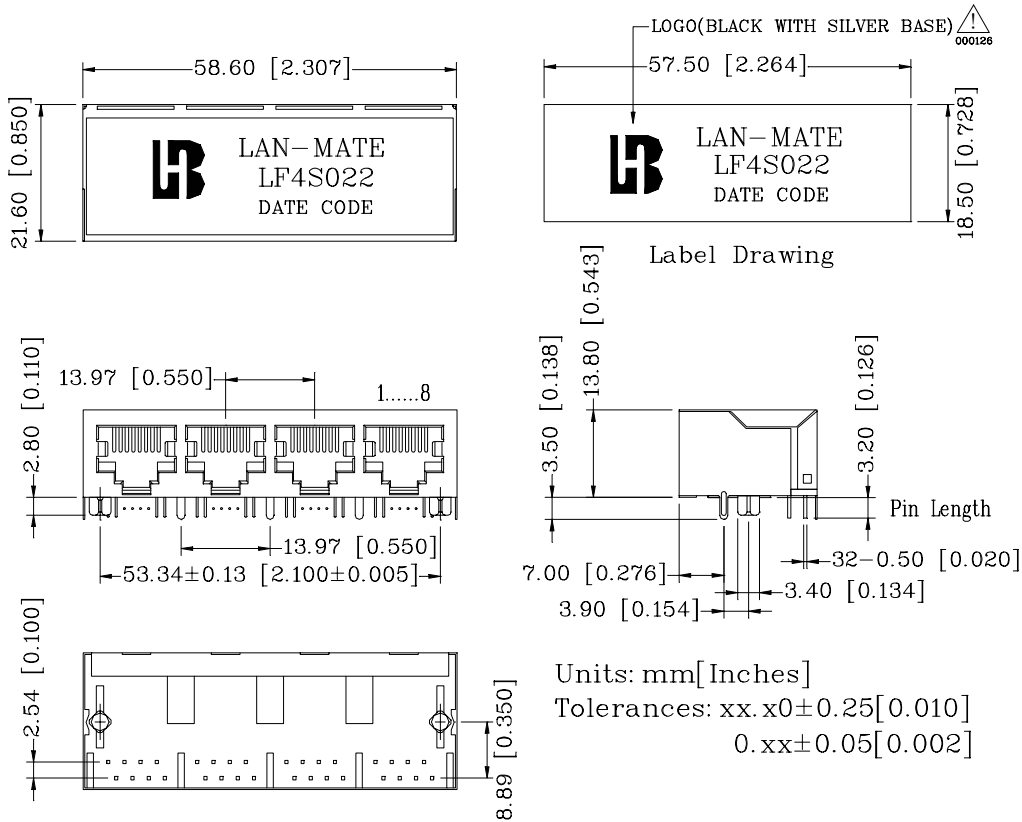
Schematic



1X4 RJ45 CONNECTOR MODULE WITH INTEGRATED 10 BASE T MAGNETICS & FILTER

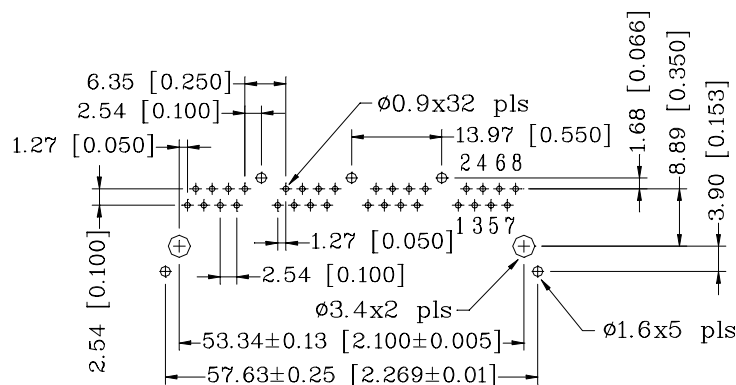
P/N : LF4S022 "LAN-MATE" SERIES

Mechanical



- 1. Plastic Material : PBT 15% Glass Filled(UL 94V-0), Black Housing
- 2. Metal Shield : Brass C2680-H, 20u Nickel Plated, t=0.25mm
- 3. Spring Wire : 0.45mm Dia. Phosphor bronze with 6u gold plated
- 4. Solder Pin : 0.4x0.4mm, Phosphor bronze with solder Plated
- 5. Durability : 300 Mating cycles Min.

PCB Layout Mounting Hole(Top View)



Units: mm[Inches]
Tolerances: xx.x0±0.25[0.010]
0.xx±0.05[0.002]