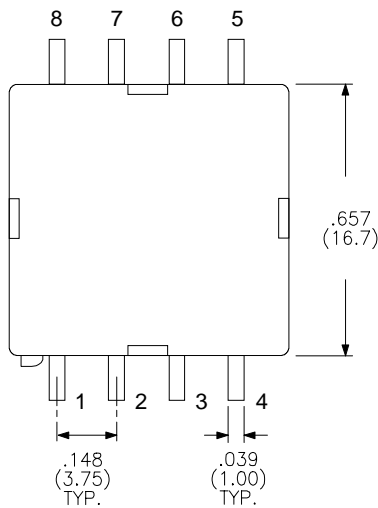


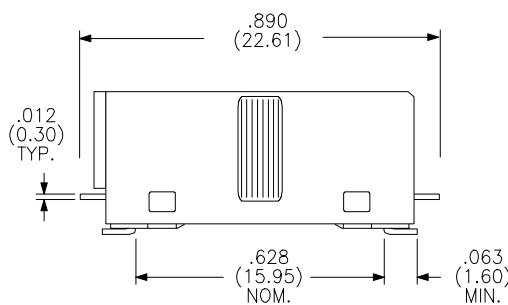
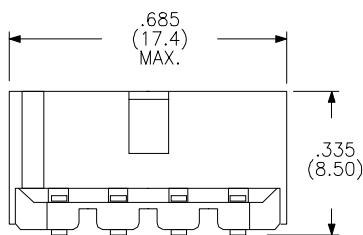
Low Profile High Current Common Mode Choke **NEW!** with Pick-&-Place Cap

Choke Part Number	L Min. (μH)	DCR Nom. ($\text{m}\Omega$)	I ⁽¹⁾ Max. (A)	SRF (MHz)
L-37200	10	2	3.0	11.3
L-37201	20	8	2.0	8.3
L-37202	50	22	1.6	6.3
L-37203	100	53	0.8	4.3

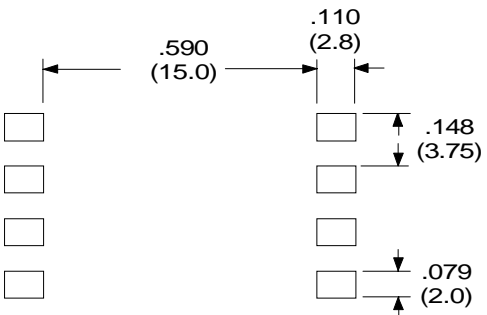
1. Parallel Connection



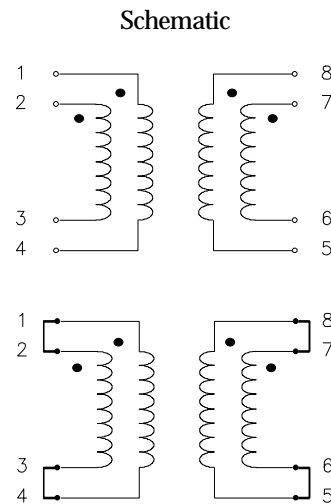
EFD 15
Surface Mount
Package with
Pick & Place Cap



**Tape & Reel
Available**



Suggested Solder Pad Layout
for both Surface Mount Versions

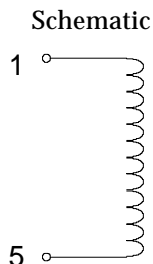


In-Circuit
Connections:
Short Pins
1-2, 3-4,
5-6 & 7-8

Surface Mount Inductors Low Profile

**EFD Style with
Pick-&-Place Cap**
Powdered Iron Versions
Available - Contact Factory

NEW!



Inductor Part Number	L Nom. (mH)	I ⁽²⁾ Rating (mA)	DCR Nom. (Ω)	Flux Density (V- μS)
L-37101	19.6	80	18.0	444
L-37102	14.3	125	11.0	387
L-37103	10.0	199	6.0	332
L-37104	6.5	252	4.5	277
L-37105	4.2	320	3.2	222
L-37106	2.3	500	1.6	166
L-37107	0.9	795	0.8	111

2. Rated for a 25°C Temperature Rise

Specifications are subject to change without notice

PP_CAP - 5/97