

PLEASE CHECK WWW.MOLEX.COM FOR LATEST PART INFORMATION

Part Number: [0736431200](#)
Status: **Active**
Overview: [hdm](#)
Description: 2.00mm (.079") Pitch HDM® Board-to-Board Backplane Header, Vertical, Press-Fit, Closed End, 144 Circuits

Documents:

[3D Model](#) [Drawing \(PDF\)](#)
[Test Summary \(PDF\)](#) [RoHS Certificate of Compliance \(PDF\)](#)

Agency Certification

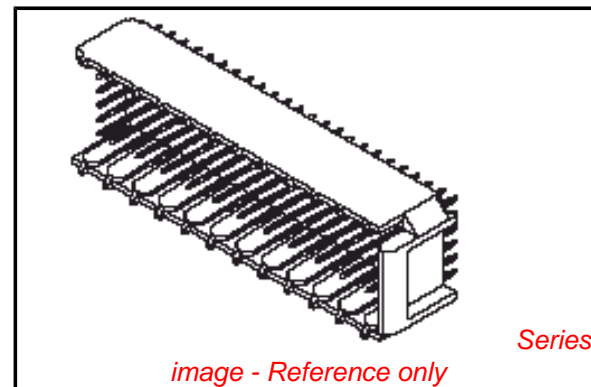
CSA LR19980
 UL E29179

General

Product Family Backplane Connectors
 Series [73643](#)
 Application Backplane
 Comments Standard Press-Fit
 Component Type PCB Header
 Overview [hdm](#)
 Product Name HDM®
 Style N/A

Physical

Circuits (Loaded) 144
 Circuits (maximum) 144
 Color - Resin Black, Natural
 Durability (mating cycles max) 250
 First Mate / Last Break No
 Flammability 94V-0
 Guide to Mating Part No
 Keying to Mating Part None
 Material - Metal Phosphor Bronze
 Material - Plating Mating Gold
 Material - Plating Termination Gold
 Material - Resin High Temperature Thermoplastic
 Number of Columns 24
 Number of Pairs Open Pin Field
 Number of Rows 6
 Orientation Vertical
 PC Tail Length (in) 0.138 In
 PC Tail Length (mm) 3.50 mm
 PCB Locator No
 PCB Retention None
 PCB Thickness Recommended (in) 0.062 In
 PCB Thickness Recommended (mm) 1.60 mm
 Packaging Type Tube
 Pitch - Mating Interface (in) 0.079 In
 Pitch - Mating Interface (mm) 2.00 mm
 Pitch - Term. Interface (in) 0.079 In
 Pitch - Term. Interface (mm) 2.00 mm
 Plating min: Mating (µin) 30
 Plating min: Mating (µm) 0.75
 Plating min: Termination (µin) 2
 Plating min: Termination (µm) 0.05



EU RoHS

ELV and RoHS Compliant
REACH SVHC Contains SVHC: No
Halogen-Free
Status Not Reviewed

China RoHS



Need more information on product environmental compliance?

Email productcompliance@molex.com
 For a multiple part number RoHS Certificate of Compliance, [click here](#)

Please visit the [Contact Us](#) section for any non-product compliance questions.

Search Parts in this Series

[73643Series](#)

Mates With

[73632](#) HDM PLUS® Board-to-Board Daughtercard Receptacle. [73780](#) HDM® Board-to-Board Daughtercard Receptacle

Application Tooling | FAQ

Tooling specifications and manuals are found by selecting the products below. Crimp Height Specifications are then contained in the Application Tooling Specification document.

Global

Description	Product #
Flat Rock Tooling for Pneumatic Press	0622013700
HDM® Backplane Insertion Signal Contact Tool	0621001400
HDM® Backplane Insertion Head for 144 Positions	0622005703

Polarized to PCB	No
Stackable	Yes
Surface Mount Compatible (SMC)	Yes
Temperature Range - Operating	-55°C to +105°C
Termination Interface: Style	Through Hole - Compliant Pin

Extraction Tool	0621001000
-----------------	------------

Electrical

Current - Maximum per Contact	1A
Data Rate	1.0 Gbps
Real Signals (per 25mm)	75
Voltage - Maximum	250V AC

Material Info

Reference - Drawing Numbers

Packaging Specification	PK-70873-0818
Sales Drawing	SDA-73643-****

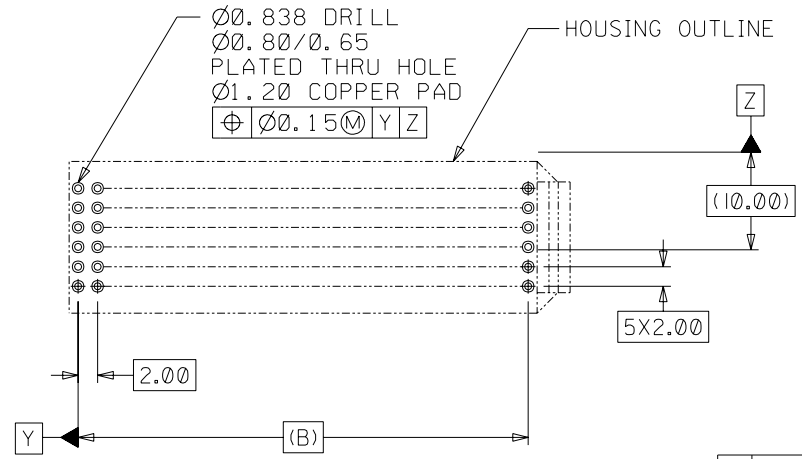
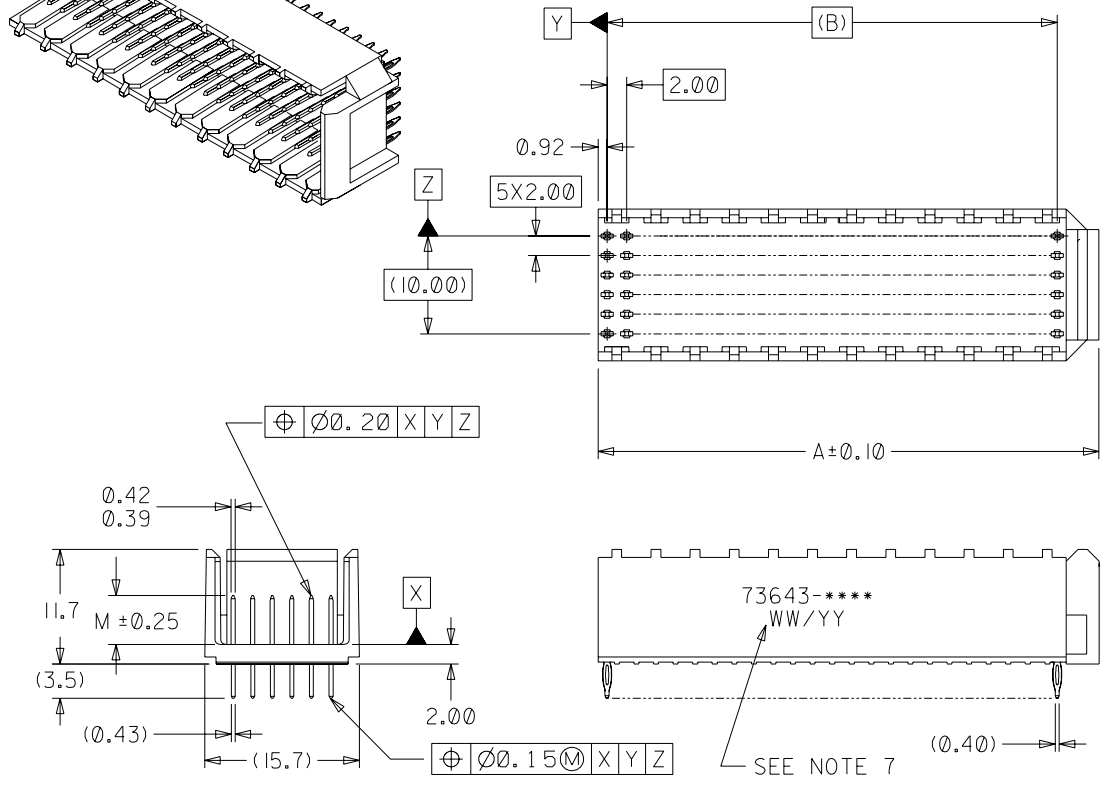
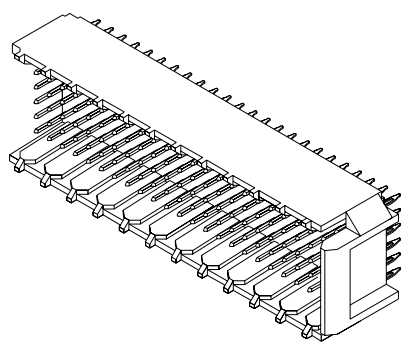
HDM and High Density Metric are trademarks of Amphenol Corporation

This document was generated on 05/14/2010

PLEASE CHECK WWW.MOLEX.COM FOR LATEST PART INFORMATION

NOTES:

1. MATERIALS: HOUSING - LIQUID CRYSTAL POLYMER (LCP), GLASS-FILLED, UL94V-0, COLOR: BLACK, TERMINAL - PHOSPHOR BRONZE.
2. FINISHES: SELECTIVE GOLD (Au) IN CONTACT AREA, 0.00076mm MINIMUM THICKNESS; NICKEL (Ni) AND GOLD FLASH OVERALL SELECTIVE GOLD (Au) IN CONTACT AREA, 0.00076mm MINIMUM THICKNESS; SELECTIVE TIN/LEAD (Sn/Pb) IN TAIL AREA; NICKEL (Ni) OVERALL.
3. THIS PART CONFORMS TO MOLEX PRODUCT SPECIFICATION PS-73670-9999.
4. FOR MIXED CONTACT MATING LENGTHS, CONSULT FACTORY FOR AVAILABILITY.
5. DIMENSIONS ARE IN MILLIMETERS.
6. PACKAGE PER PK-70873-0818.
7. PARTS MARKED WITH PART NUMBER AND DATE CODE, ON EITHER SIDE, APPROXIMATELY WHERE SHOWN.



2	C
1	I
SH	REV

I	REVISED ECR UCP2003-2260 THOMAS 03/04/25	F	REVISED ECR UDT1999-0476 BINGHAM 98/12/21	C	REVISED PER ECR #U81357 BINGHAM 97/12/15
H	REVISED ECR UDT2000-0348 BINGHAM 99/10/12	E	REVISED ECR UDT1999-0243 BINGHAM 98/09/29	B	REVISED PER ECR #U70950 BINGHAM 97/02/14
G	REVISED ECR UDT1999-0662 BINGHAM 99/05/18	D	REVISED ECR UDT1998-0240 BINGHAM 98/05/06	A	RELEASED FOR PROD. PER ECR # U70371 BINGHAM 96/12/18
LTR.	REVISIONS	LTR.	REVISIONS	LTR.	REVISIONS

DIMENSIONS SHOWN (METRIC) INCH	
UNLESS OTHERWISE SPECIFIED TOLERANCES: ANGULAR $\pm 1/2^\circ$	
3 PLACE	\pm N/A
2 PLACE	\pm N/A
1 PLACE	± 0.05
DRAFT WHERE APPLICABLE MUST REMAIN WITHIN DIMENSIONS	
DRWG. BY: JRR	CHK'D. BY: SMR
APP'D. BY: CAB	SCALE: 2 : 1

$\nabla = 0$	$\blacktriangledown = 0$	REVISE ONLY ON CAD SYSTEM
TITLE SALES ASSY, HDM BACKPLANE MODULE, END WALL OPTION		
MOLEX MOLEX INCORPORATED LITLLE, ILL. 60532 U.S.A.	SHEET NO. 1 OF 2	DATE 96/12/18
PART NO. SEE SHEET 2	DRWG. NO. SDA-73643-****	
FILE NAME S73643X1 DGN	THIS DRAWING CONTAINS INFORMATION THAT IS PROPRIETARY TO MOLEX INC. AND SHOULD NOT BE USED WITHOUT WRITTEN PERMISSION.	
DIV. DA	SIZE B	

MATERIAL NUMBER	NUMBER OF SIGNAL CONTACTS	PLATING	DIM "A"	DIM "B"	DIM "M"
73643-0000	72	SELECTIVE GOLD/GOLD FLASH	27.60	22.00	5.00
73643-0100	72	SELECTIVE GOLD/GOLD FLASH	27.60	22.00	5.50
73643-0200	72	SELECTIVE GOLD/GOLD FLASH	27.60	22.00	6.00
73643-1000	144	SELECTIVE GOLD/GOLD FLASH	51.60	46.00	5.00
73643-1100	144	SELECTIVE GOLD/GOLD FLASH	51.60	46.00	5.50
73643-1200	144	SELECTIVE GOLD/GOLD FLASH	51.60	46.00	6.00
73643-2000	72	SELECTIVE GOLD/SELECTIVE TIN-LEAD	27.60	22.00	5.00
73643-2100	72	SELECTIVE GOLD/SELECTIVE TIN-LEAD	27.60	22.00	5.50
73643-2200	72	SELECTIVE GOLD/SELECTIVE TIN-LEAD	27.60	22.00	6.00
73643-3000	144	SELECTIVE GOLD/SELECTIVE TIN-LEAD	51.60	46.00	5.00
73643-3100	144	SELECTIVE GOLD/SELECTIVE TIN-LEAD	51.60	46.00	5.50
73643-3200	144	SELECTIVE GOLD/SELECTIVE TIN-LEAD	51.60	46.00	6.00

DIMENSIONS SHOWN (METRIC) INCH

UNLESS OTHERWISE SPECIFIED TOLERANCES: ANGULAR = 1/2°

	INCH	METRIC
3 PLACE	± N/A	---
2 PLACE	± N/A	± 0.05
1 PLACE	---	± 0.10

DRAFT WHERE APPLICABLE MUST REMAIN WITHIN DIMENSIONS

▽ = 0 ▼ = 0 REVISE ONLY ON CAD SYSTEM

TITLE SALES ASSY, HDM BACKPLANE MODULE, END WALL OPTION

MOLEX INCORPORATED LISLE, ILL. 60532 U.S.A. SHEET NO. 2 DATE 97/12/15

PART NO. SEE CHART DRWG. NO. SDA-73643-****

DRWG. BY JRR CLK'D. BY SMR APP'D. BY CAB SCALE NO:NE

THIS DRAWING CONTAINS INFORMATION THAT IS PROPRIETARY TO MOLEX INC. AND SHOULD NOT BE USED WITHOUT WRITTEN PERMISSION. DIV. DA SIZE B

LTR. REVISIONS LTR. REVISIONS

C SEE SHEET 1