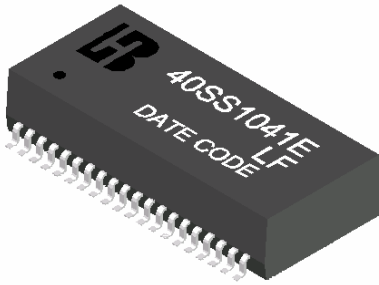




### 40 PIN SMD ETHERNET 10/100 BASE QUAD PORT TRANSFORMER

### P/N: 40SS1041E LF DATA SHEET

#### Feature



- IEEE 802.3 Ethernet compatible, 100 Base-TX
- Surface mountable.
- Design for multi-port repeater and Ethernet switching Hub application.
- Customer designs available for specific application.
- Comply with RoHS requirements-whole part No Cd, No Hg, No Cr6+, No PBB and PBDE and No Pb on external pins.
- Comply with Air reflow profile of JEDEC 020C.
- Operating temperature range : 0 to +70 .
- Storage temperature range: -25 to +125 .

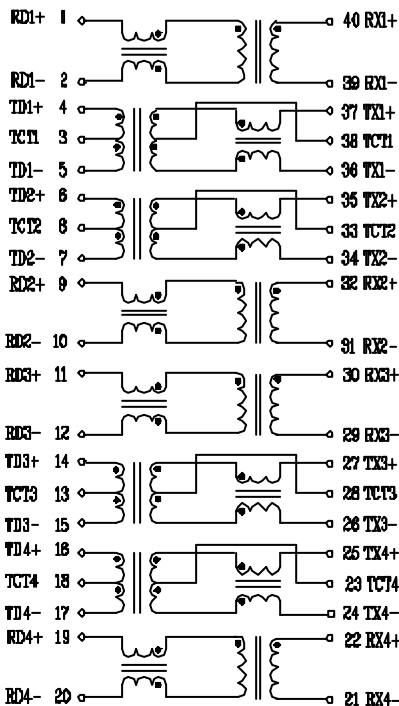
#### Electrical Specifications @ 25°C

Part Number	Turns Ratio (±5%)		OCL (μ H Min) @100KHz/0.1V with 8mA DC Bias	L.L (μ H Max)	Cw/w (pF Max)	HI-POT (Vrms)
	TX	RX				
40SS1041E LF	1CT:1CT	1:1	350	0.4	28	1500

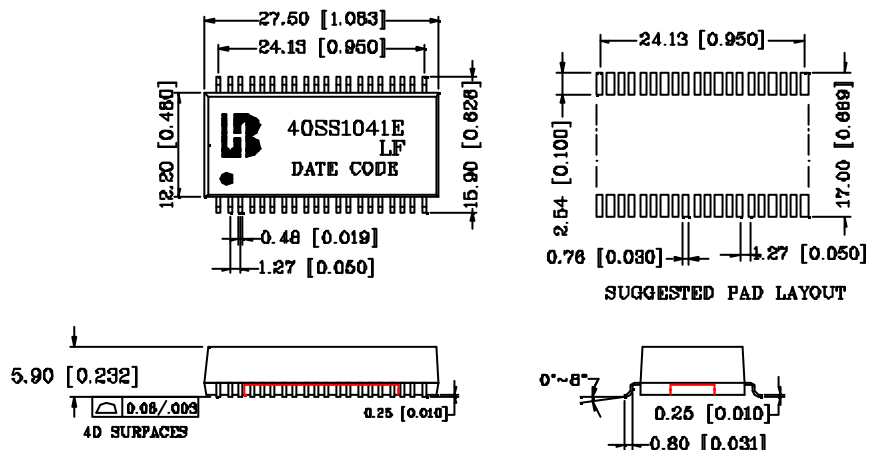
#### Continue

Part Number	Insertion Loss (dB Max)	Return Loss (dB Min)			Cross talk (dB Min)		DCMR (dB Min)		
		0.3-100MHz	0.3-30MHz	30-60MHz	60-80MHz	0.3-60MHz	60-100MHz	60MHz	100MHz
40SS1041E LF	-1.15	-16	-12	-10	-40	-35	-37	-28	-25

#### Schematic



#### Mechanical



Units: mm [Inches] Tolerances: xx.x0±0.25 [0.010]  
0.xx±0.05 [0.002]