

**PLEASE CHECK WWW.MOLEX.COM FOR LATEST PART INFORMATION**

**Part Number:** [5022442430](#)  
**Status:** **Active**  
**Description:** 0.50mm (.020") Pitch Easy-On™ Type FFC/FPC Connector, For LVDS, 2.33mm (.092") Height, Right Angle, SMT, ZIF, Bottom Contact Style, 24 Circuits, Lead-free

**Documents:**

[3D Model](#) [Product Specification PS-502244-001 \(PDF\)](#)  
[Drawing \(PDF\)](#) [RoHS Certificate of Compliance \(PDF\)](#)

**General**

Product Family FFC/FPC Connectors  
 Series [502244](#)  
 Product Name Easy-On™

**Physical**

Circuits (Loaded) 24  
 Color - Resin Black, Natural  
 Contact Position Bottom  
 Durability (mating cycles max) 20  
 Entry Angle 90° Angle  
 Mated Height (in) 0.092 In  
 Mated Height (mm) 2.33 mm  
 Material - Metal Phosphor Bronze  
 Material - Plating Mating Gold  
 Material - Plating Termination Gold  
 Number of Rows 1  
 Orientation Right Angle  
 PCB Locator No  
 PCB Retention Yes  
 Packaging Type Embossed Tape on Reel  
 Pitch - Mating Interface (in) 0.020 In  
 Pitch - Mating Interface (mm) 0.50 mm  
 Polarized to PCB Yes  
 Stackable No  
 Temperature Range - Operating -25°C to +85°C  
 Termination Interface: Style Surface Mount  
 Wire/Cable Type FFC only

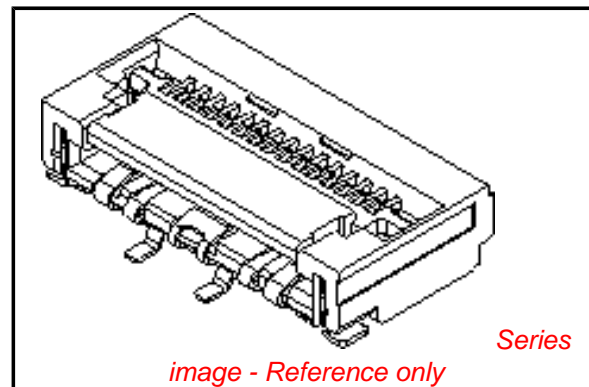
**Electrical**

Current - Maximum per Contact 0.4A  
 Voltage - Maximum 50V AC (RMS)/DC

**Material Info**

**Reference - Drawing Numbers**

Product Specification PS-502244-001, RPS-502244-001, RPS-502244-002, RPS-502244-003  
 Sales Drawing SD-502244-001, SD-502244-002



*image - Reference only*

**EU RoHS**

**ELV and RoHS  
 Compliant**  
**REACH SVHC**  
 Not Reviewed  
**Halogen-Free  
 Status**  
**Not Reviewed**

**China RoHS**

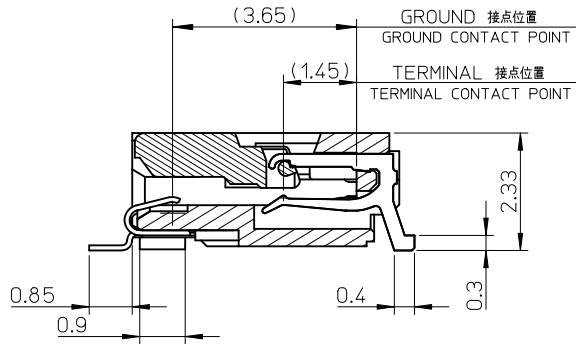
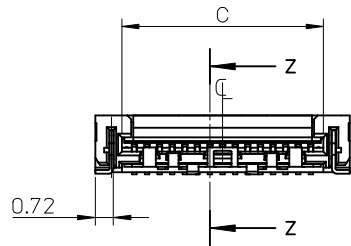
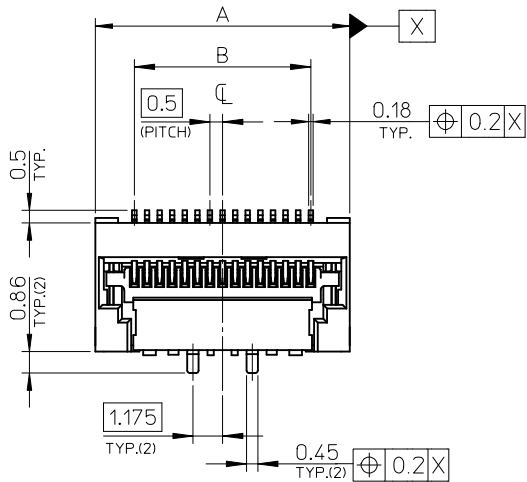


**Need more information on product  
 environmental compliance?**

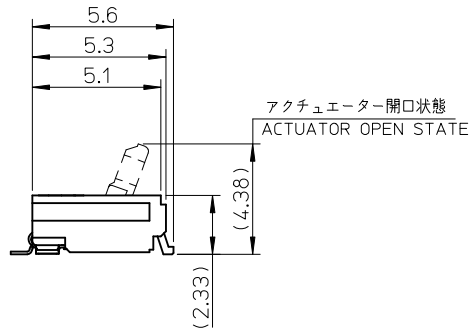
Email [productcompliance@molex.com](mailto:productcompliance@molex.com)  
 For a multiple part number RoHS Certificate of Compliance, [click here](#)

Please visit the [Contact Us](#) section for any non-product compliance questions.

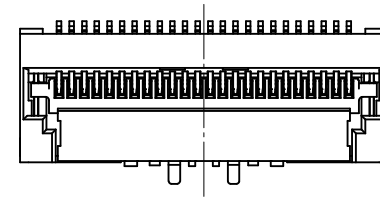
**Search Parts in this Series**  
[502244Series](#)



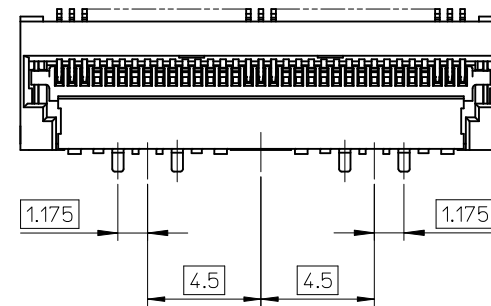
SECTION Z-Z  
(Scale 10:1)



アクチュエーター開口状態  
ACTUATOR OPEN STATE



24極品形状



33極品形状

17	16	19.1	502244-3330	33
12.5	11.5	14.6	502244-2430	24
8	7	10.1	502244-1530	15
C	B	A	EMBOSSED TAPE	CIRCUIT
			ORDER No.	
CONNECTOR SERIES No.502244-***39				

REVISED EC NO.: J2010-1947 DRWN: NISHI 2010/03/18 CHKD: MATSUURA 2010/03/18 APPR: KMORIKAWA 2010/03/29	GENERAL TOLERANCES (UNLESS SPECIFIED)		DIMENSION STYLE MM ONLY	SCALE 5:1	DESIGN UNITS METRIC	THIRD ANGLE PROJECTION
	10 UNDER	± 0.2	DRAWN BY THANYU	DATE '06/03/10	TITLE 0.5 FFC CONN. FOR LVDS HOUSING ASSY (BOTTOM CONTACT)	
	10 OVER 30 UNDER	± 0.25	CHECKED BY SMARUYAMA	DATE '06/03/10	MOLEX INCORPORATED	
	30 OVER	± 0.3	APPROVED BY SICHIKAWA	DATE '06/03/10	MATERIAL NO. SEE TABLE	DOCUMENT NO. SD-502244-001
REV	DESCRIPTION	ANGULAR ± 3°	DRAFT WHERE APPLICABLE MUST REMAIN WITHIN DIMENSIONS		THIS DRAWING CONTAINS INFORMATION THAT IS PROPRIETARY TO MOLEX INCORPORATED AND SHOULD NOT BE USED WITHOUT WRITTEN PERMISSION	

注記 NOTES

1. 使用材料 MATERIAL

ハウジング: 液晶ポリマー (LCP), ガラス充填, UL94V-0, ナチュラル (白)  
 HOUSING: LIQUID CRYSTAL POLYMER (LCP),  
 GLASS FILLED, UL94V-0, NATURAL (WHITE)  
 アクチュエーター ACTUATOR  
 (15, 33極): ポリアミド (PA), ガラス充填, UL94V-0, 黒  
 (24極): ポリフェニレンスルファイド (PPS), ガラス充填, UL94V-0, 黒  
 (15, 33CKT): POLYAMIDE (PA), GLASS FILLED, UL94V-0, BLACK  
 (24CKT): POLYPHENYLENESULFIDE (PPS), GLASS FILLED,  
 UL94V-0, BLACK

ターミナル: 燐青銅  
 TERMINAL: PHOSPHOR BRONZE  
 ネイル: 燐青銅  
 NAIL: PHOSPHOR BRONZE  
 グランド: 燐青銅  
 GROUND: PHOSPHOR BRONZE

2. メッキ仕様

PLATING SPECIFICATION

ターミナルコンタクト部: 部分金メッキ (0.1μm以上)  
 TERMINAL CONTACT: SEPARATED GOLD PLATING (0.1μmMIN.)  
 ターミナルテール部: 部分金メッキ (0.05μm以上)  
 TERMINAL TAIL: SEPARATED GOLD PLATING (0.05μmMIN.)  
 ターミナル下地: ニッケルメッキ (1.0μm以上)  
 TERMINAL UNDERPLATE: NICKEL PLATING (1.0μmMIN.)  
 ネイル: 錫メッキ (1.0μm以上)  
 NAIL: TIN PLATING (1.0μmMIN.)  
 ネイル下地: ニッケルメッキ (1.0μm以上)  
 NAIL UNDERPLATE: NICKEL PLATING (1.0μmMIN.)  
 グランド: 錫メッキ (1.0μm以上)  
 GROUND: TIN PLATING (1.0μmMIN.)  
 グランド下地: ニッケルメッキ (1.0μm以上)  
 GROUND UNDERPLATE: NICKEL PLATING (1.0μmMIN.)

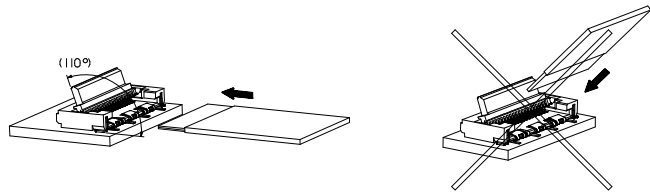
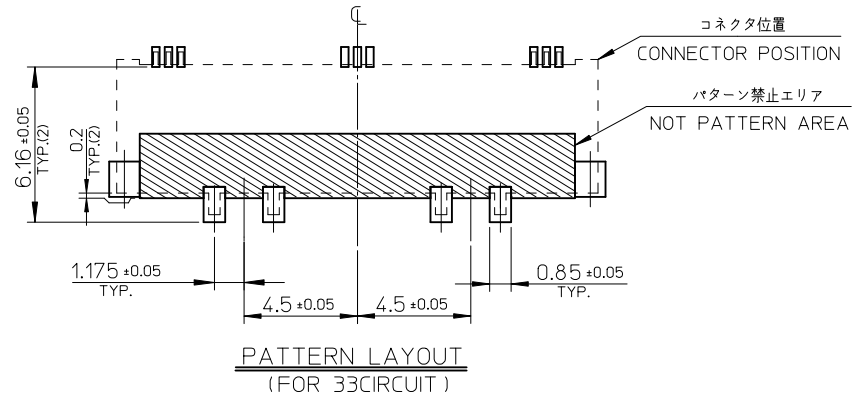
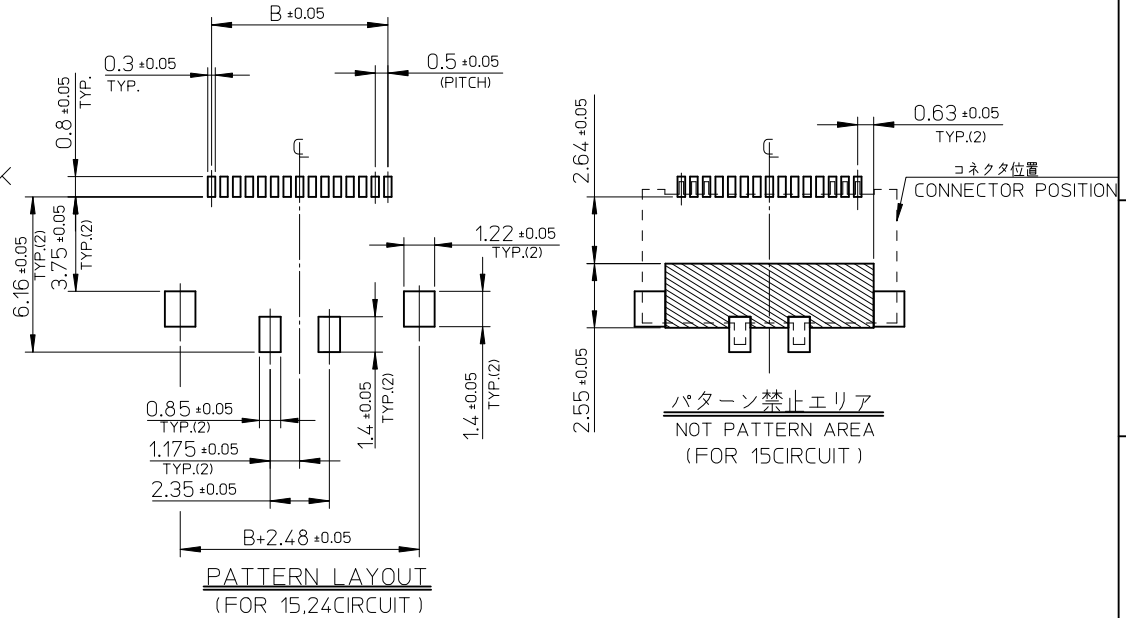
3. エンボステープ梱包時は、アクチュエーターが閉じた状態とする。

IN THE PACKAGE, ACTUATOR SHOULD BE CLOSED.

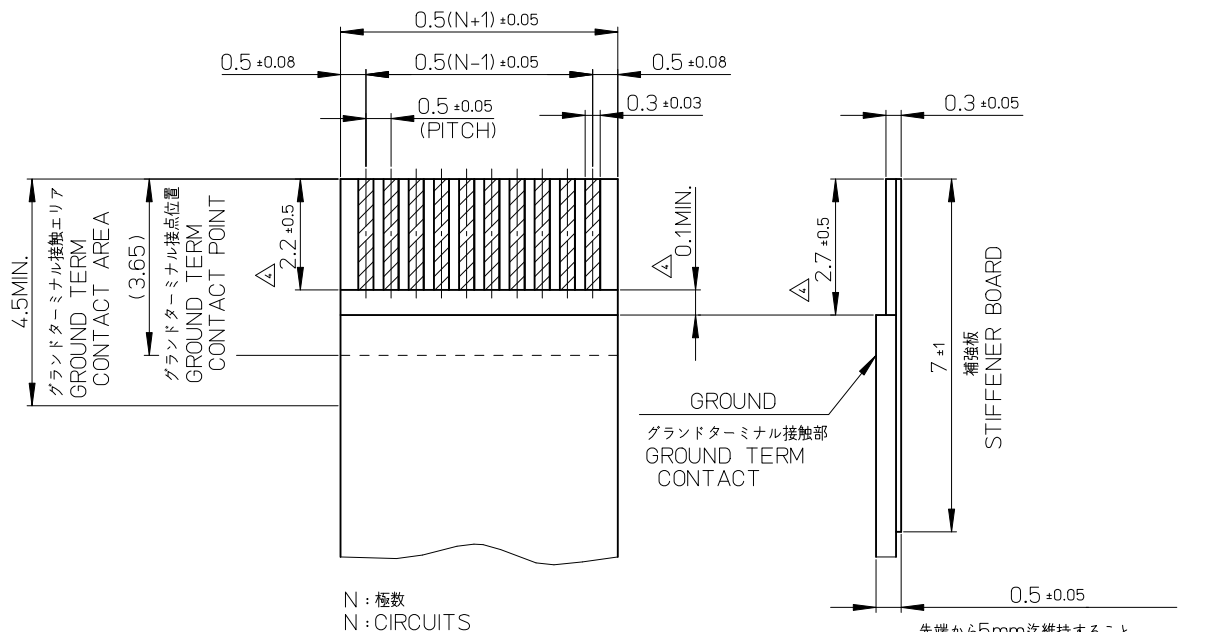
△ 使用するFFCはターミナル用パターン導体部とグランドターミナル用パターン導体部が重ならないこと。  
 FFC IS NOT OVER LAP PATTERN OF TERMINAL AND GROUND TERMINAL.

5. FFCの挿入はアクチュエーターが完全に開いた状態でを行い、挿入口より真っ直ぐハウジングに突き当たるまで挿入してください。  
 DO WITH THE ACTUATOR OPENED COMPLETELY AND INSERT IT IN THE INTERIOR OF THE INSERTION ENTRNCE SURELY WHEN YOU INSERT FFC.

6. ELV AND RoSH COMPLIANT.



REVISED EC NO.: J2010-1947 DRWN: NISHI 2010/03/18 CHKD: MATSUURA 2010/03/18 APPR: KMORIKAWA 2010/03/29	GENERAL TOLERANCES (UNLESS SPECIFIED)		DIMENSION STYLE MM ONLY	SCALE 5:1	DESIGN UNITS METRIC	THIRD ANGLE PROJECTION
	10 UNDER	± 0.2	DRAWN BY THANYU	DATE '06/03/10	TITLE 0.5 FFC CONN. FOR LVDS HOUSING ASSY (BOTTOM CONTACT)	
	10 OVER 30 UNDER	± 0.25	CHECKED BY SMARUYAMA	DATE '06/03/10	MOLEX INCORPORATED	
	30 OVER	± 0.3	APPROVED BY SICHIKAWA	DATE '06/03/10	MATERIAL NO. SEE SHEET 1	DOCUMENT NO. SD-502244-001
REV	ANGULAR ± 3°	DRAFT WHERE APPLICABLE MUST REMAIN WITHIN DIMENSIONS	SIZE A3	THIS DRAWING CONTAINS INFORMATION THAT IS PROPRIETARY TO MOLEX INCORPORATED AND SHOULD NOT BE USED WITHOUT WRITTEN PERMISSION		



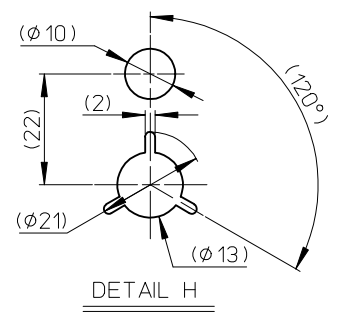
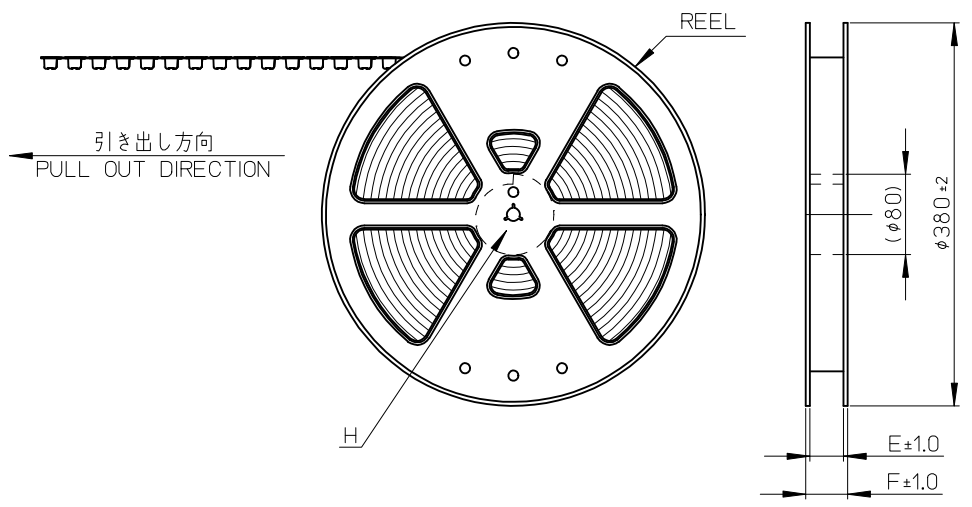
N : 極数  
N : CIRCUITS

適合FFC推奨寸法  
APPLICABLE FFC  
RECOMMENDED DIMENSION

FFCについて:  
抜き方向は導体側から補強板側を推奨致します。  
導体部については、軟銅箔:35マイクロメートル又は50マイクロメートル  
金めっきを推奨致します。

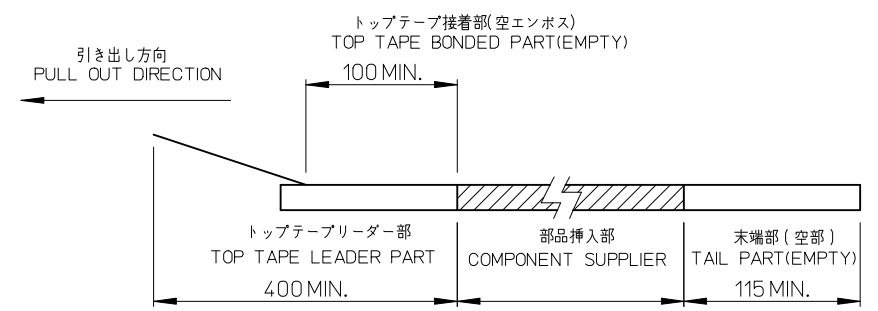
ABOUT FFC:  
RECOMMENDED PUNCHER DIRECTION :  
FROM CONDUCTOR SIDE TO STIFFENER FILM SIDE  
RECOMMENDED CONDUCTOR SPEC :  
THICKNESS OF SOFT COPPER : 35 MICROMETER OR 50 MICROMETER  
GOLD PLATING

REVISED EC NO.: J2010-1947 DRWN: NISHI 2010/03/18 CHKD: MATSUURA 2010/03/18 APPR: KMORIKAWA 2010/03/29	DESCRIPTION	GENERAL TOLERANCES (UNLESS SPECIFIED)		DIMENSION STYLE MM ONLY		SCALE 5:1	DESIGN UNITS METRIC	THIRD ANGLE PROJECTION	
		10 UNDER	± 0.2	DRAWN BY THANYU	DATE '06/03/10	TITLE 0.5 FFC CONN. FOR LVDS HOUSING ASSY (BOTTOM CONTACT)			
		10 OVER 30 UNDER	± 0.25	CHECKED BY SMARUYAMA	DATE '06/03/10				
		30 OVER	± 0.3	APPROVED BY SICHIKAWA	DATE '06/03/10				
REV C	REV	ANGULAR ± 3 °	DRAFT WHERE APPLICABLE MUST REMAIN WITHIN DIMENSIONS		MATERIAL NO. SEE SHEET 1	DOCUMENT NO. SD-502244-001		SHEET NO. 3 OF 3	
THIS DRAWING CONTAINS INFORMATION THAT IS PROPRIETARY TO MOLEX INCORPORATED AND SHOULD NOT BE USED WITHOUT WRITTEN PERMISSION									



NOTES

- 製品詳細寸法につきましては、製品単体図面を参照して下さい。  
FOR DETAIL OF CONNECTOR DIMENSIONS.  
PLEASE SEE THE DRAWING OF CONNECTOR ITSELF (NOT PACKAGED).
- 梱包数量: 2500個/リール  
NUMBER OF CONNECTORS : 2500PCS/REEL
- リードテープの長さ  
LEAD TAPE LENGTH

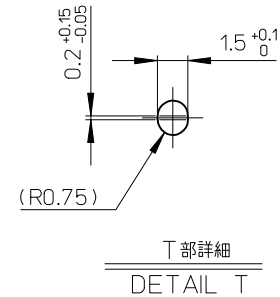
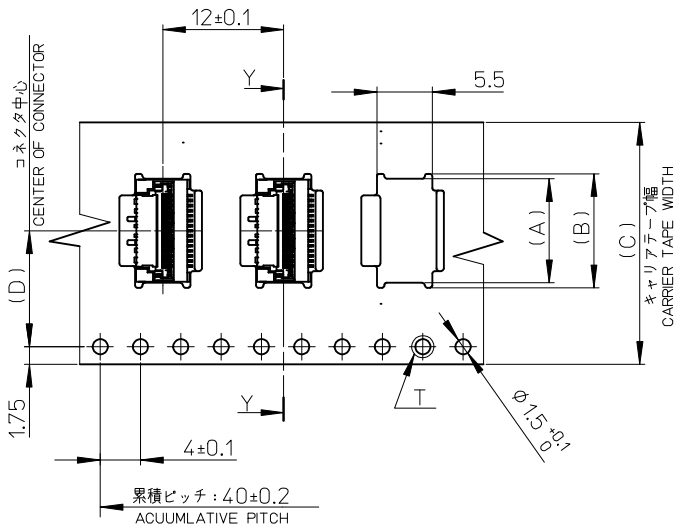
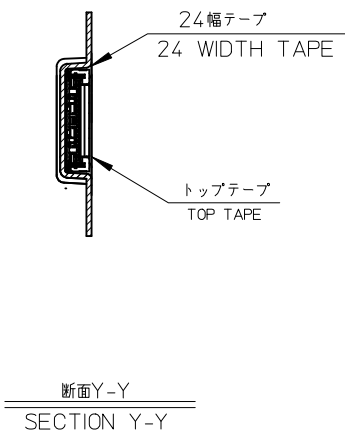


- 材料  
MATERIAL  
キャリアテープ : ポリスチレン (PS)  
CARRIER TAPE : POLYSTYRENE (PS)  
トップテープ : PET, OTHER  
TOP TAPE : PET, OTHER  
リール : ポリスチレン (リサイクル材を含む)  
REEL : POLYSTYRENE (RECYCLE MATERIAL CONTAINED)

5.ELV AND RoHS COMPLIANT

REVISED EC NO: J2009-1513 DRWN:MTAKASAKI 2008/12/11 CHKD:MHAYASHI 2008/12/12 APPR:NUKITA 2008/12/12	GENERAL TOLERANCES (UNLESS SPECIFIED)		DIMENSION STYLE MM ONLY		SCALE ---	DESIGN UNITS METRIC	THIRD ANGLE PROJECTION
	10 UNDER	$\pm 0.2$	DRAWN BY NNISHI	DATE '06/5/22	TITLE 0.5 FFC CONN.FOR LVDS HOUSING ASSY EMBSTP PKG		
	10 OVER 30 UNDER	$\pm 0.25$	CHECKED BY SMARUYAMA	DATE '06/5/22	MOLEX INCORPORATED		
	30 OVER	$\pm 0.3$	APPROVED BY SICHIKAWA	DATE '06/5/22	MATERIAL NO. SEE SHEET 2	DOCUMENT NO. SD-502244-002	SHEET NO. 1 OF 3
	ANGULAR $\pm 1^\circ$	THIS DRAWING CONTAINS INFORMATION THAT IS PROPRIETARY TO MOLEX INCORPORATED AND SHOULD NOT BE USED WITHOUT WRITTEN PERMISSION					
	DRAFT WHERE APPLICABLE MUST REMAIN WITHIN DIMENSIONS						

引き出し方向  
PULL OUT DIRECTION



29.4	25.4	11.5	24	15.8	14.8	502244-2439	502244-2430	24
				11.3	10.3	502244-1539	502244-1530	15
F	E	(D)	(C)	(B)	(A)	製品単体 CONNECTOR	製品番号 MATERIAL NO.	極数 CIRCUITS

REVISED EC NO: J2009-1513 DRWN:MTAKASAKI 2008/12/11 CHKD:MHAYASHI 2008/12/12 APPR:NUKITA 2008/12/12	GENERAL TOLERANCES (UNLESS SPECIFIED)		DIMENSION STYLE MM ONLY		SCALE ---	DESIGN UNITS METRIC	THIRD ANGLE PROJECTION	
	10 UNDER	±0.2	DRAWN BY NNISHI	DATE '06/5/22	TITLE 0.5 FFC CONN.FOR LVDS HOUSING ASSY EMBSTP PKG			
	10 OVER 30 UNDER	±0.25	CHECKED BY SMARUYAMA	DATE '06/5/22	APPROVED BY SICHIKAWA '06/5/22			
	30 OVER	±0.3	MATERIAL NO.		MOLEX INCORPORATED		DOCUMENT NO. SD-502244-002	SHEET NO. 2 OF 3
	ANGULAR ±1 °	DRAFT WHERE APPLICABLE MUST REMAIN WITHIN DIMENSIONS		SEE TABLE				
		THIS DRAWING CONTAINS INFORMATION THAT IS PROPRIETARY TO MOLEX INCORPORATED AND SHOULD NOT BE USED WITHOUT WRITTEN PERMISSION						

10 9 8 7 6 5 4 3 2 1

F

E

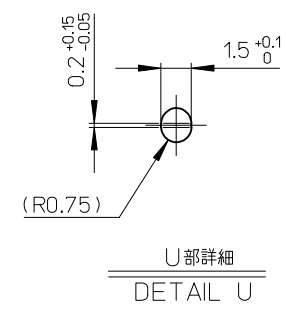
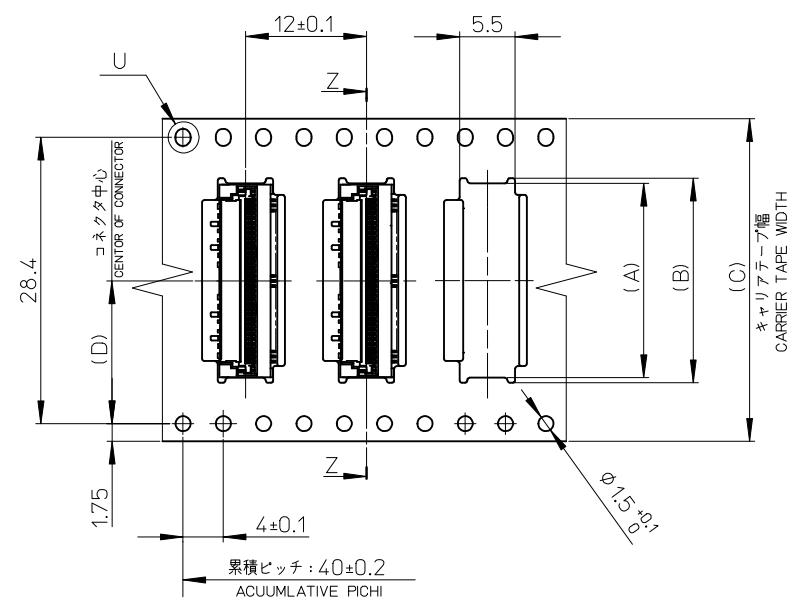
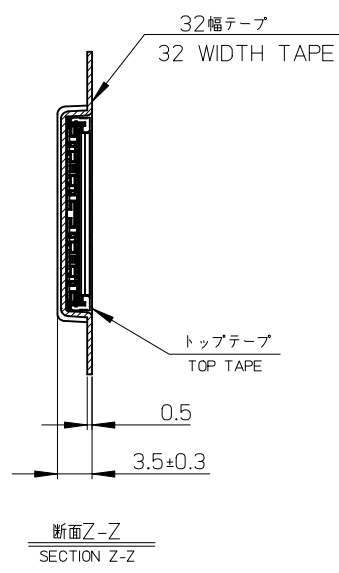
D

C

B

A

引き出し方向  
PULL OUT DIRECTION



37.4	33.4	14.15	32	20.3	19.3	502244-3339	502244-3330	33
F	E	(D)	(C)	(B)	(A)	製品単体 CONNECTOR	製品番号 MATERIAL NO.	極数 CIRCUITS

REVISED EC NO: J2009-1513 DRWN: TAKASAKI 2008/12/11 CHKD: HAYASHI 2008/12/12 APPR: NUKITA 2008/12/12	GENERAL TOLERANCES (UNLESS SPECIFIED)		DIMENSION STYLE MM ONLY		SCALE ---	DESIGN UNITS METRIC		THIRD ANGLE PROJECTION	
	10 UNDER	±0.2	DRAWN BY NNISHI		DATE '06/5/22		TITLE 0.5 FFC CONN.FOR LVDS HOUSING ASSY EMBSTP PKG		
	10 OVER 30 UNDER	±0.25	CHECKED BY SMARUYAMA		DATE '06/5/22		MOLEX INCORPORATED DOCUMENT NO. SD-502244-002 SHEET NO. 3 OF 3		
	30 OVER	±0.3	APPROVED BY SICHIKAWA		DATE '06/5/22				
	ANGULAR ±1 °		DRAFT WHERE APPLICABLE MUST REMAIN WITHIN DIMENSIONS		MATERIAL NO. SEE TABLE				
				SIZE A3		THIS DRAWING CONTAINS INFORMATION THAT IS PROPRIETARY TO MOLEX INCORPORATED AND SHOULD NOT BE USED WITHOUT WRITTEN PERMISSION			