

PLEASE CHECK WWW.MOLEX.COM FOR LATEST PART INFORMATION

Part Number: [0879450002](#)
Status: **Active**
Description: 1.27mm (.050") Signal Pitch, 0.80mm (.031") SCSI Pitch, 1.27mm (.050") Power Pitch SAS Receptacle, Right Angle, Surface Mount, "Z" Height of 7.07mm (.278"), with Straight Solder Tab, 29 Circuits, Lead free

Documents:

[3D Model](#) [Product Specification PS-87945-034 \(PDF\)](#)
[Drawing \(PDF\)](#) [RoHS Certificate of Compliance \(PDF\)](#)

Agency Certification

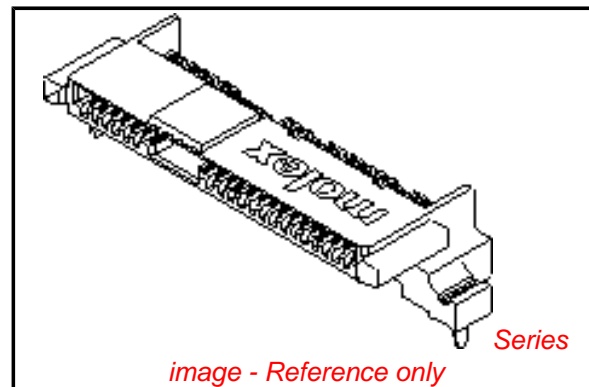
CSA LR19980
 UL E29179

General

Product Family I/O Connectors
 Series [87945](#)
 Application Board-to-Board
 Comments Solder Tab (Blade) hold-down, no pick and place cap|"Z" Height - 7.07mm (.278")
 Component Type Receptacle
 Product Name SAS
 Type N/A

Physical

Boot Color N/A
 Circuits (Loaded) 29
 Circuits (maximum) 29
 Circuits Detail Signal 7, SCSI 7, Power 15
 Color - Resin Black
 Durability (mating cycles max) 500
 Flammability 94V-0
 Gender Female
 Keying to Mating Part Yes
 Lock to Mating Part None
 Material - Metal Phosphor Bronze
 Material - Plating Mating Gold
 Material - Plating Termination Tin
 Number of Rows 2
 Orientation Right Angle
 PCB Locator Yes
 PCB Retention Yes
 PCB Thickness Recommended (in) 0.062 In
 PCB Thickness Recommended (mm) 1.60 mm
 Packaging Type Tray
 Panel Mount Yes
 Pitch - Mating Interface (in) 0.031 In, 0.050 In
 Pitch - Mating Interface (mm) 0.80 mm, 1.27 mm
 Pitch - Term. Interface (in) 0.031 In, 0.050 In
 Pitch - Term. Interface (mm) 0.80 mm, 1.27 mm
 Plating min: Mating (µin) 30
 Plating min: Mating (µm) 0.76
 Plating min: Termination (µin) 102
 Plating min: Termination (µm) 2.54
 Polarized to Mating Part Yes
 Polarized to PCB Yes



EU RoHS

ELV and RoHS Compliant
REACH SVHC
 Not Reviewed
Halogen-Free Status
Not Reviewed

China RoHS



Need more information on product environmental compliance?

Email productcompliance@molex.com
 For a multiple part number RoHS Certificate of Compliance, [click here](#)

Please visit the [Contact Us](#) section for any non-product compliance questions.

Search Parts in this Series

[87945Series](#)

Mates With

[87679](#) , [87799](#) , [87703](#) , SFF 8482 Hard Disk Drive and Backplane Plug

Surface Mount Compatible (SMC)	N/A
Temperature Range - Operating	0°C to +55°C
Termination Interface: Style	Surface Mount
Waterproof / Dustproof	No
Wire Size AWG	N/A

Electrical

Current - Maximum per Contact	1.5A
Shielded	No
Voltage - Maximum	30V

Solder Process Data

Duration at Max. Process Temperature (seconds)	10
Lead-free Process Capability	Reflow Capable (SMT only)
Max. Cycles at Max. Process Temperature	1
Process Temperature max. C	260

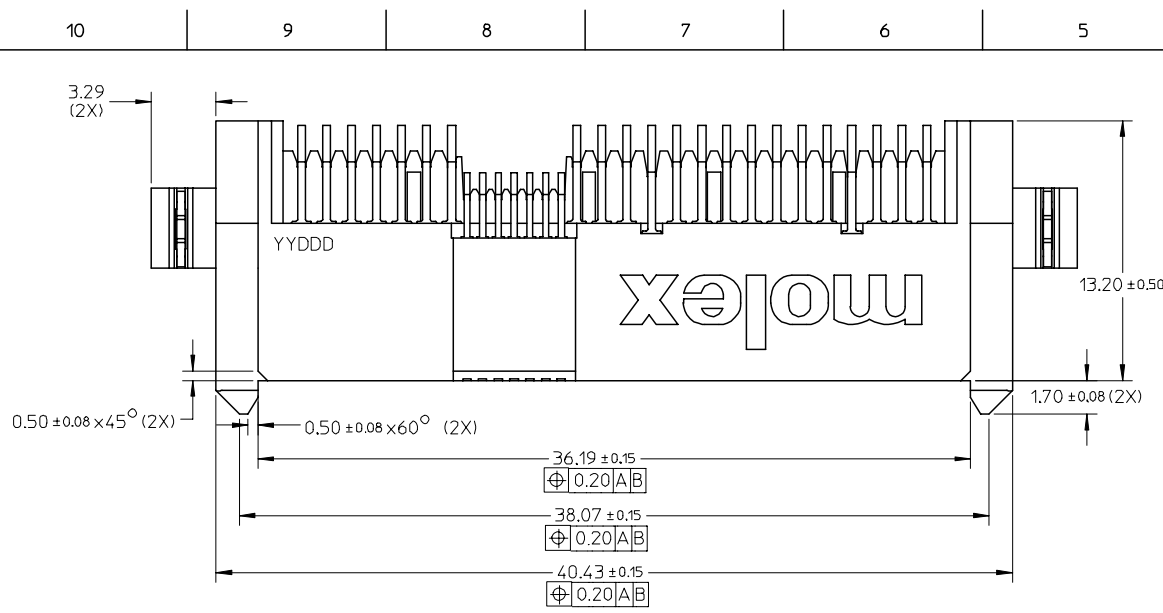
Material Info

Reference - Drawing Numbers

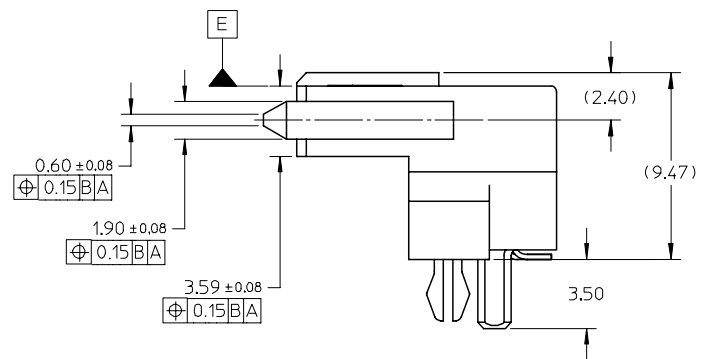
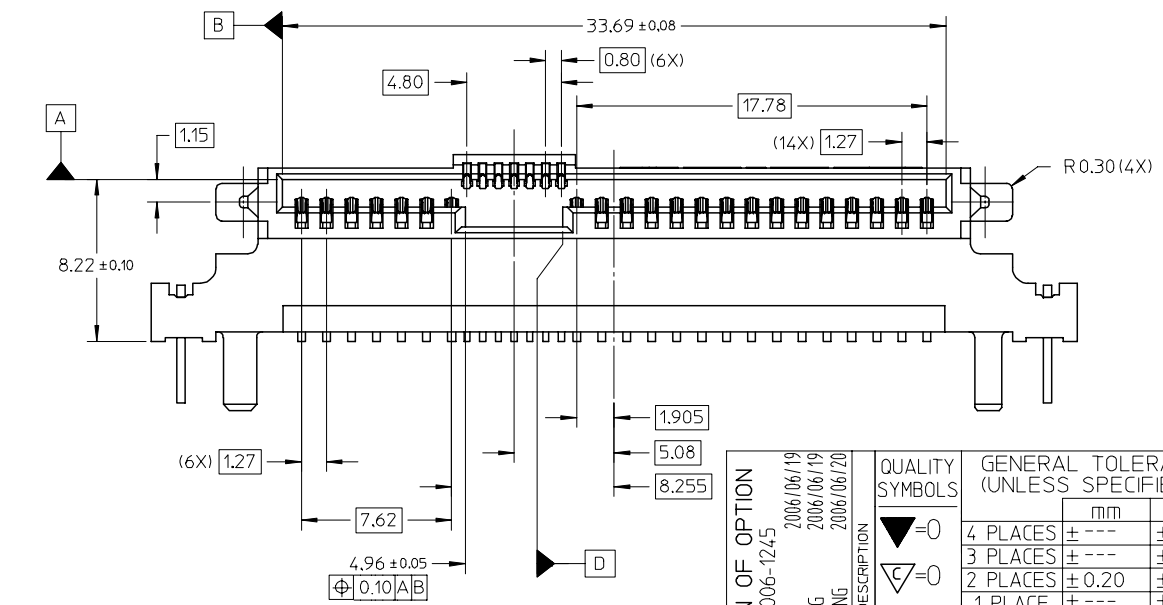
Product Specification	PS-87945-034
Sales Drawing	SD-87945-001

This document was generated on 04/09/2010

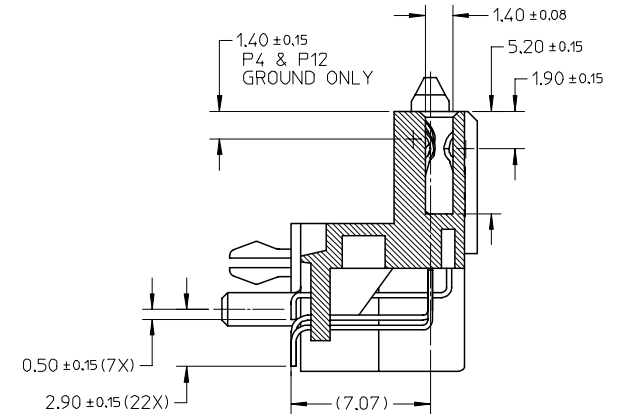
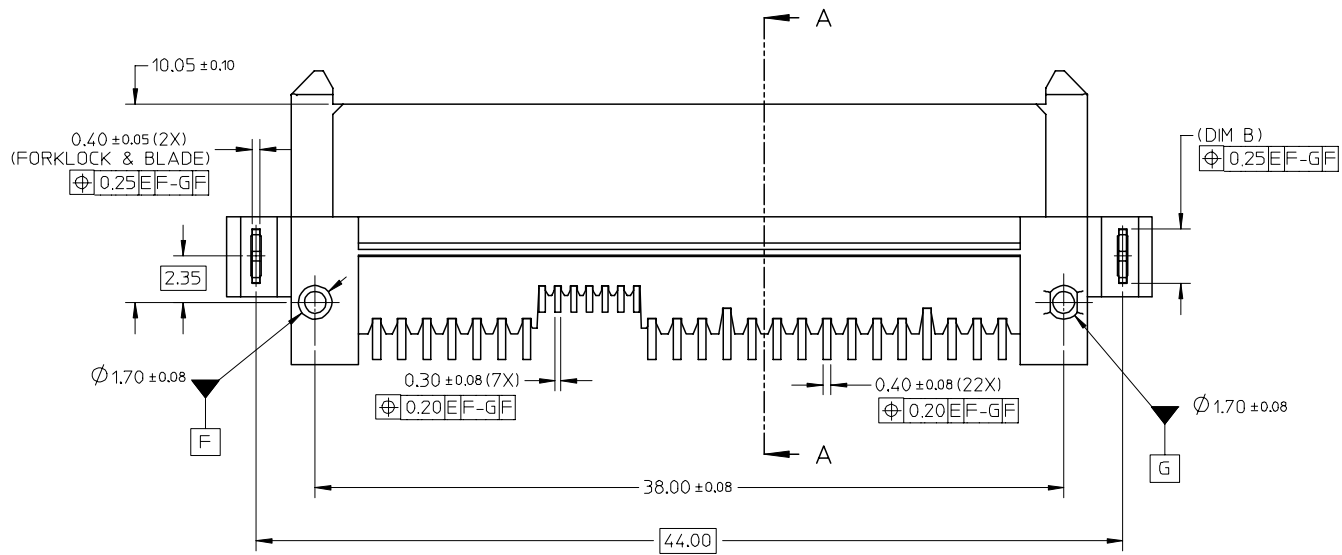
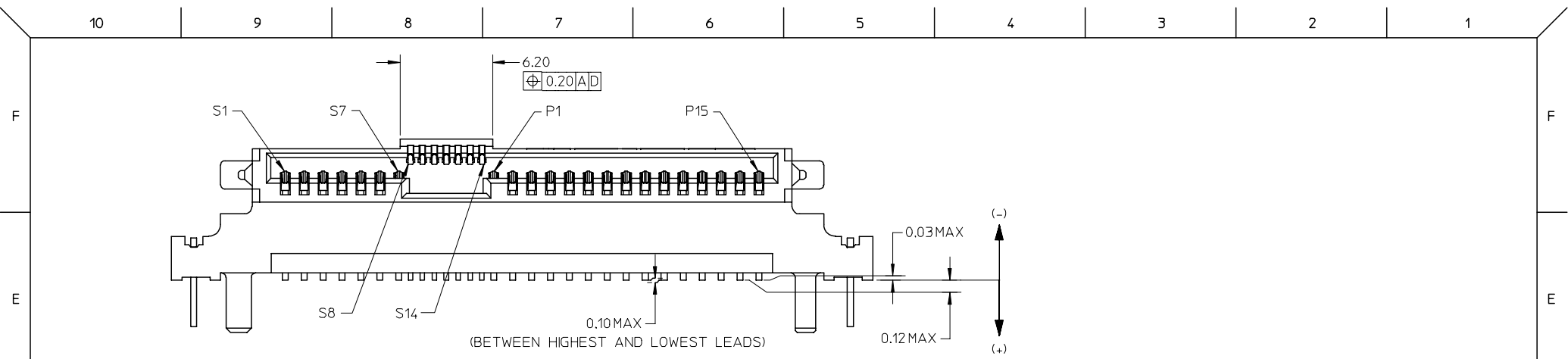
PLEASE CHECK WWW.MOLEX.COM FOR LATEST PART INFORMATION



- NOTES:
- MATERIAL
HOUSING: NYLON 9T, GLASS FILLED, UL 94V-0, BLACK
TERMINAL: COPPER ALLOY
FORK LOCK/BLADE: COPPER ALLOY
 - PLATING:
TERMINAL:
CONTACT: 0.76µm MIN. SELECTIVE GOLD OVER 1.27µm MIN. NICKEL UNDERPLATE
SOLDERTAIL: 2.54µm MIN. TIN OVER 1.27µm MIN. NICKEL UNDERPLATE
FORK LOCK/BLADE:
2.54µm MIN. TIN OVER 1.27µm MIN. NICKEL UNDERPLATE
 - MOLEX LOGO LOCATED APPROXIMATELY AS SHOWN
 - NON FUNCTIONAL CORE HOLE MAY VARY
 - THIS PRODUCT IS COMPLIANT TO RoHS DIRECTIVE WITH THE FOLLOWING BANNED SUBSTANCES - LEAD, MERCURY, CADMIUM, HEXAVALENT CHROMIUM, POLYBROMINATED BIPHENYLS AND POLYBROMINATED DIPHENYL ETHERS.
 - PRODUCT SPECIFICATION PS-87945-034 APPLIES.
 - MATES WITH : SFF-8482 PLUG
SATA PLUG SERIES 87679, 87703 AND 87799
 - PACKAGING : TRAY

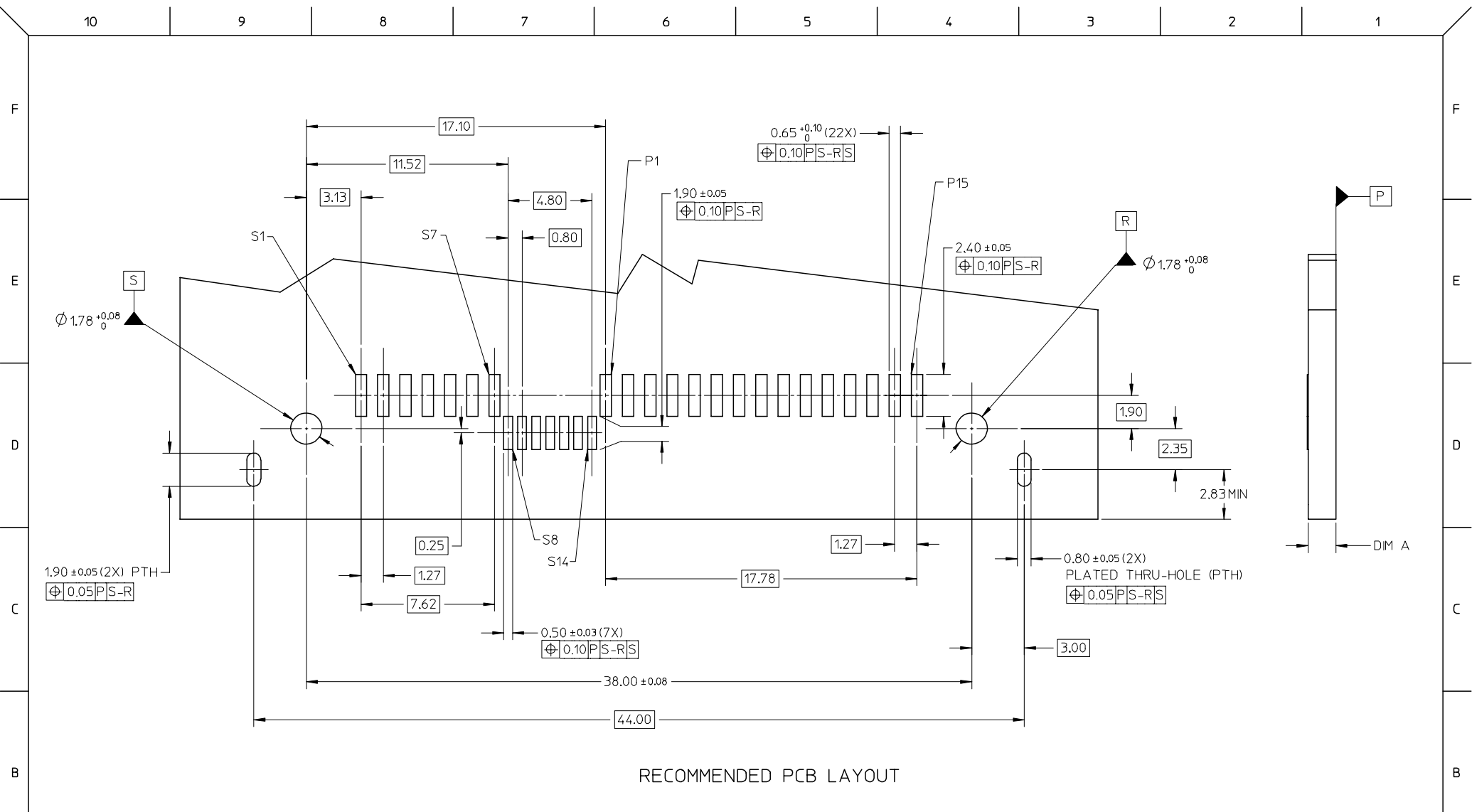


ADDITION OF OPTION EC NO: S2006-1245 2006/06/19 DRWN:YKH 2006/06/19 CHKD:SHH 2006/06/20 APPR:KCLING	QUALITY SYMBOLS ▽=0 △=0	GENERAL TOLERANCES (UNLESS SPECIFIED)		DIMENSION STYLE MM ONLY	SCALE NTS	DESIGN UNITS METRIC	THIRD ANGLE PROJECTION
		mm	INCH	DRAWN BY KCHO	DATE 2005/02/22	TITLE SERIAL ATTACH SCSI RECEPTACLE, RIGHT-ANGLE SMT, 7.07MM HEIGHT	
REV B	DESCRIPTION	4 PLACES	± ---	± ---	CHECKED BY DKOH	DATE 2005/03/23	MOLEX INCORPORATED
		3 PLACES	± ---	± ---	APPROVED BY SKTOH	DATE 2005/03/23	
DRAFT WHERE APPLICABLE MUST REMAIN WITHIN DIMENSIONS		ANGULAR ± 3 °		MATERIAL NO. SEE TABLE		SHEET NO. 1 OF 4	



SECTION A-A

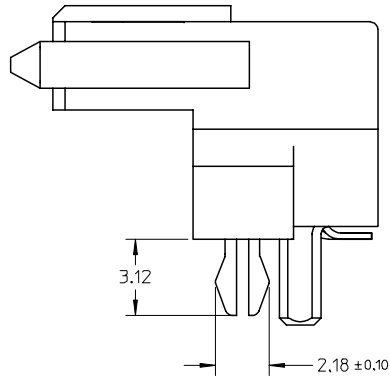
ADDITION OF OPTION EC NO: S2006-1245 DRWN:YKOH CHKD:SHONG APPR:KCLING	2006/06/19 2006/06/19 2006/06/20	DESCRIPTION REV	QUALITY SYMBOLS	GENERAL TOLERANCES (UNLESS SPECIFIED)	DIMENSION STYLE	SCALE	DESIGN UNITS	THIRD ANGLE PROJECTION															
			$\nabla = 0$ $\triangle = 0$	<table border="1"> <thead> <tr> <th></th> <th>mm</th> <th>INCH</th> </tr> </thead> <tbody> <tr> <td>4 PLACES</td> <td>± ---</td> <td>± ---</td> </tr> <tr> <td>3 PLACES</td> <td>± ---</td> <td>± ---</td> </tr> <tr> <td>2 PLACES</td> <td>± 0.20</td> <td>± ---</td> </tr> <tr> <td>1 PLACE</td> <td>± ---</td> <td>± ---</td> </tr> </tbody> </table>		mm	INCH	4 PLACES	± ---	± ---	3 PLACES	± ---	± ---	2 PLACES	± 0.20	± ---	1 PLACE	± ---	± ---	MM ONLY	NTS	METRIC	
				mm	INCH																		
			4 PLACES	± ---	± ---																		
3 PLACES	± ---	± ---																					
2 PLACES	± 0.20	± ---																					
1 PLACE	± ---	± ---																					
DRAFT WHERE APPLICABLE MUST REMAIN WITHIN DIMENSIONS	SEE TABLE	DRAWN BY: KCHO CHECKED BY: DKOH APPROVED BY: SKTOH DATE: 2005/02/22 DATE: 2005/03/23 DATE: 2005/03/23	TITLE SERIAL ATTACH SCSI RECEPTACLE, RIGHT-ANGLE SMT, 7.07MM HEIGHT		MOLEX INCORPORATED		SHEET NO. 2 OF 4																



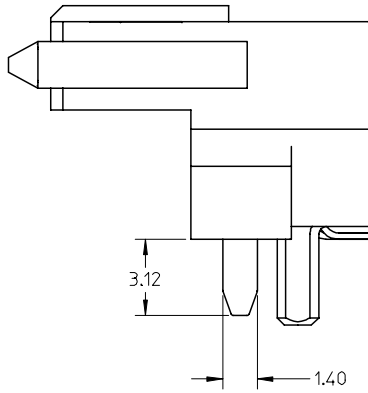
RECOMMENDED PCB LAYOUT

ADDITION OF OPTION EC NO: S2006-1245 DRWN:YKH CHKD:SHH APPR:KCLING	QUALITY SYMBOLS ▽=0 ▽=0	GENERAL TOLERANCES (UNLESS SPECIFIED)		DIMENSION STYLE MM ONLY		SCALE NTS	DESIGN UNITS METRIC	THIRD ANGLE PROJECTION		
				DRAWN BY KCHO		DATE 2005/02/22		SERIAL ATTACH SCSI RECEPTACLE, RIGHT-ANGLE SMT, 7.07MM HEIGHT MOLEX INCORPORATED		
				CHECKED BY DKOH		DATE 2005/03/23				
				APPROVED BY SKTOH		DATE 2005/03/23		DOCUMENT NO. SD-87945-001		
REV	DESCRIPTION	DRAFT WHERE APPLICABLE MUST REMAIN WITHIN DIMENSIONS		MATERIAL NO. SEE TABLE		SHEET NO. 3 OF 4				

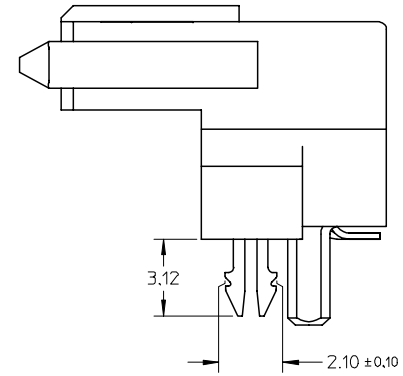
PART NUMBER	HOLD DOWN	DIM A (PCB THICKNESS)	DIM B
87945-0001	FORKLOCK	1.60±0.10	(2.18)
87945-0002	BLADE	-	(1.40)
87945-1001	FORKLOCK	1.834±0.183 TO 2.20±0.22 PCB FORKLOCK HOLE MUST BE PLATED THRU-HOLE (PTH) REGARDLESS WHETHER FORKLOCK IS SOLDERED OR NOT	(2.10)



87945-0001



87945-0002



87945-1001

ADDITION OF OPTION EC NO: S2006-1245 DRWN:YKH 2006/06/19 CHKD:SHONG 2006/06/19 APPR:KCLING 2006/06/20	QUALITY SYMBOLS ▽=0 ◻=0	GENERAL TOLERANCES (UNLESS SPECIFIED)		DIMENSION STYLE MM ONLY		SCALE NTS	DESIGN UNITS METRIC	THIRD ANGLE PROJECTION		
			mm	INCH	DRAWN BY KCHO	DATE 2005/02/22	SERIAL ATTACH SCSI RECEPTACLE, RIGHT-ANGLE SMT, 7.07MM HEIGHT			
		4 PLACES	± ---	± ---	CHECKED BY DKOH	DATE 2005/03/23				
		3 PLACES	± ---	± ---	APPROVED BY SKTOH		DATE 2005/03/23	MOLEX INCORPORATED		
2 PLACES	± 0.20	± ---	MATERIAL NO.		DOCUMENT NO.	SHEET NO.				
1 PLACE	± ---	± ---	DRAFT WHERE APPLICABLE MUST REMAIN WITHIN DIMENSIONS		SEE TABLE	SD-87945-001				
ANGULAR ± 3 °		SIZE A3		THIS DRAWING CONTAINS INFORMATION THAT IS PROPRIETARY TO MOLEX INCORPORATED AND SHOULD NOT BE USED WITHOUT WRITTEN PERMISSION						