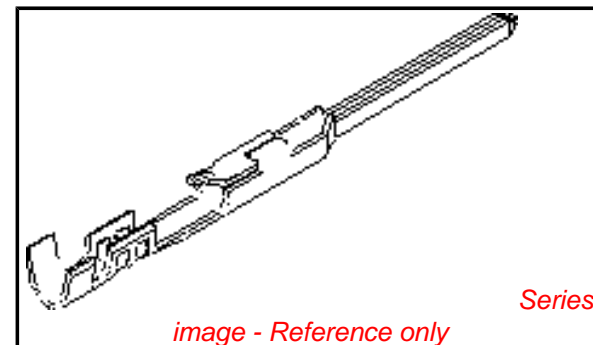


PLEASE CHECK WWW.MOLEX.COM FOR LATEST PART INFORMATION

Part Number: [0016020115](#)
Status: **Active**
Overview: [cgrid_sl_products](#)
Description: SL™ Crimp Terminal, Series 70021, Male, with 0.38µm (15µ") Selective Gold (Au) Plated Contact, 22-24 AWG, Bag

Documents:

[Drawing \(PDF\)](#) [RoHS Certificate of Compliance \(PDF\)](#)
[Product Specification PS-70021 \(PDF\)](#)



General

Product Family	Crimp Terminals
Series	70021
Crimp Quality Equipment	Yes
Overview	cgrid_sl_products
Product Name	SL™

Physical

Gender	Male
Material - Metal	Phosphor Bronze
Material - Plating Mating	Gold
Material - Plating Termination	Tin
Packaging Type	Bag
Plating min: Mating (µin)	15
Plating min: Mating (µm)	0.375
Plating min: Termination (µin)	75
Plating min: Termination (µm)	1.875
Termination Interface: Style	Crimp or Compression
Wire Insulation Diameter	1.63mm (.064") max.
Wire Size AWG	22, 24
Wire Size mm²	N/A

Material Info

Old Part Number 70021-0223

Reference - Drawing Numbers

Packaging Specification	PK-70873-0822
Product Specification	PS-70021
Sales Drawing	SD-70021-0*06_0*23, SD-70021-0223

EU RoHS ELV and RoHS Compliant REACH SVHC Contains SVHC: No Halogen-Free Status Halogen-Free	China RoHS 
---	--

Need more information on product environmental compliance?

Email productcompliance@molex.com
 For a multiple part number RoHS Certificate of Compliance, [click here](#)

Please visit the [Contact Us](#) section for any non-product compliance questions.

Search Parts in this Series
[70021Series](#)

Use With
[70066 Housing](#), [70107 Housing](#)

Application Tooling | FAQ
Tooling specifications and manuals are found by selecting the products below. Crimp Height Specifications are then contained in the Application Tooling Specification document.

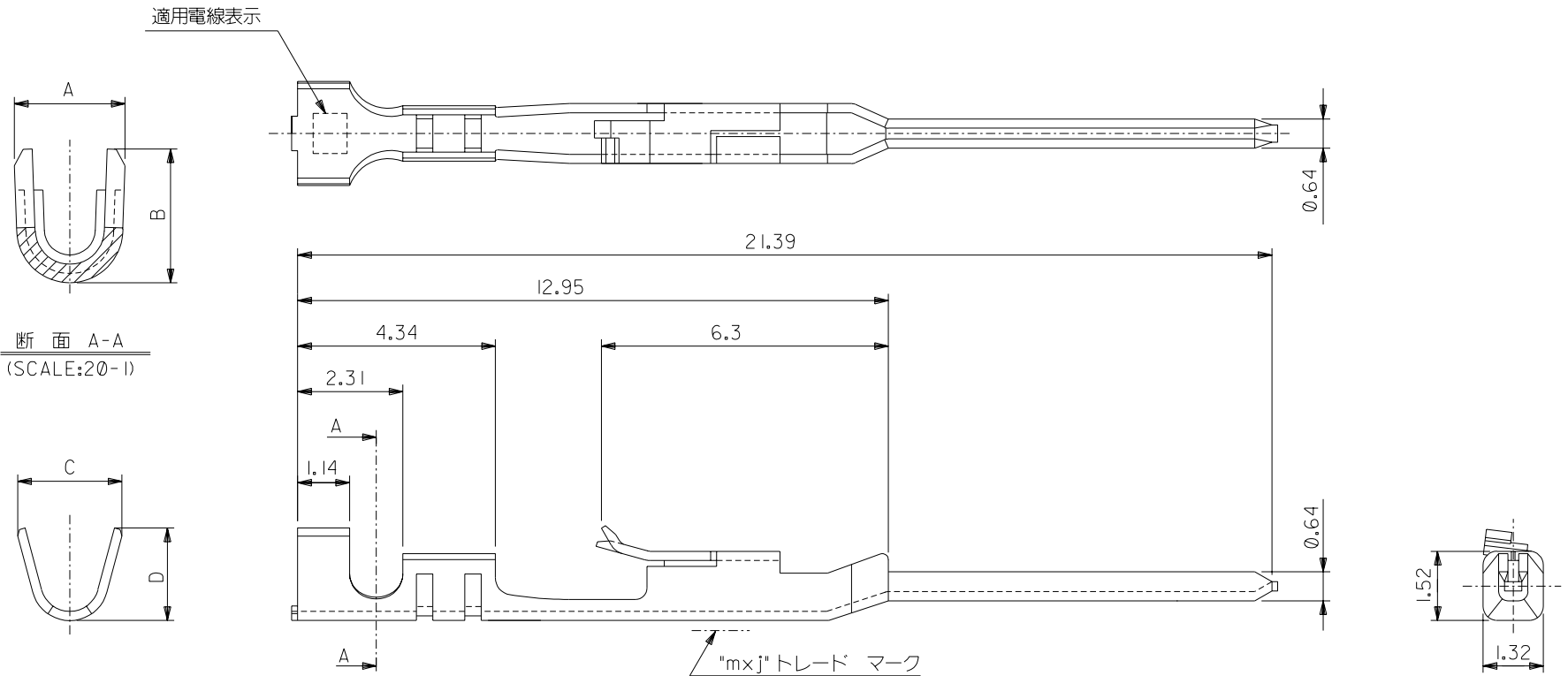
Global	
Description	Product #
Hand Crimp Tool	0638118700
Insertion Tool	0011020022
Extraction Tool	0011030036
Japan	
Description	Product #
Hand Crimp Tool	0570365000
Hand Crimp Tool	0570375000

PLEASE CHECK WWW.MOLEX.COM FOR LATEST PART INFORMATION

ENG. NO.
SD-70021-0*06
0*23

EDP NO.
—#—

ALL DIMENSIONS IN METRIC DO NOT SCALE DRAWING



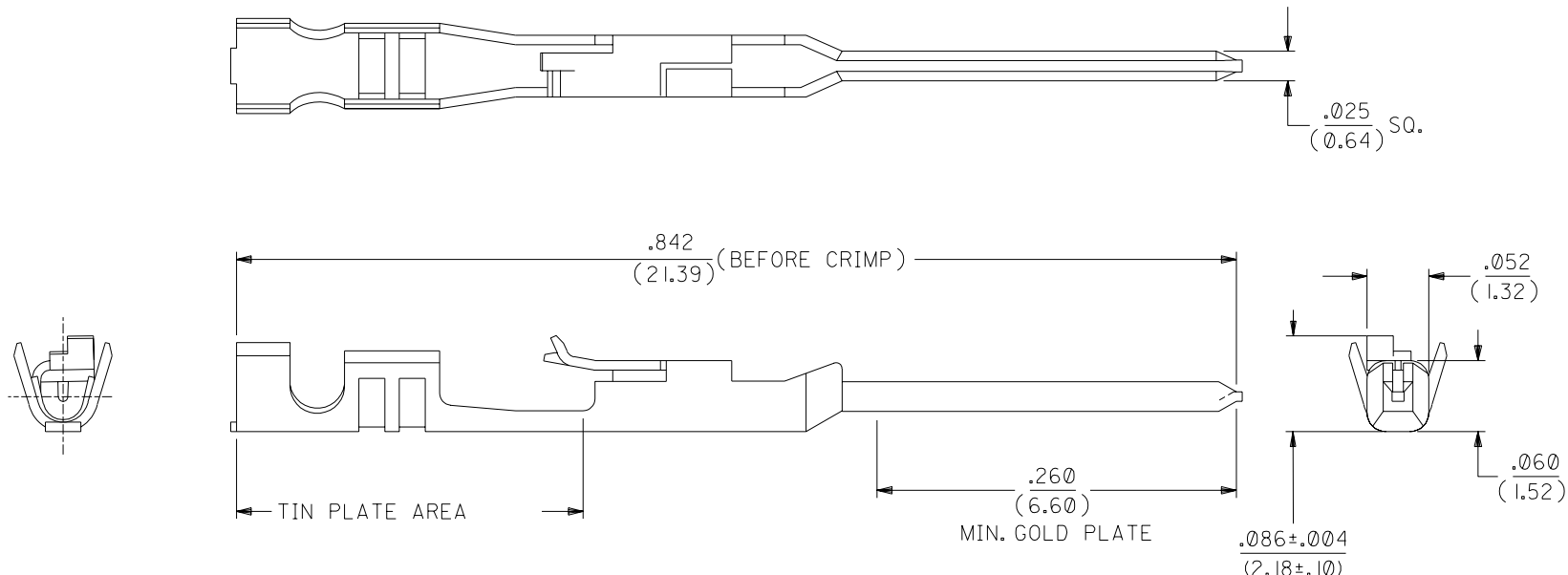
注記:

- 適合ハウジング: 70066-****, 70107-****
- メッキ仕様:
 - 接点部 : 金メッキ, 0.38 μmMIN.
 - 圧着部 : 錫メッキ, 1.91 μmMIN.
 - 下地メッキ: ニッケルメッキ, 1.27 μmMIN.

1.91	2.1	1.47	1.22	A	φ 1.6 MAX.	AWG#24-#30	連鎖状	70021-0006
1.91	2.1	1.65	1.84	C		AWG#22-#24	バラ状	70021-0223
D	C	B	A	適用電線表示	被覆外径	適用電線範囲	端子形状	MATERIAL No.

				材料 MATERIAL 磷青銅	molex MOLEX-JAPAN CO.,LTD. 日本モレックス株式会社
				t 0.203	
				仕上げ FINISH 注記参照	EDP. NO. —#—
				適用電線範囲 WIRE RANGE 表参照	ENG. NO. SD-70021-0*06 0*23
				被覆外径 INS. RANGE 表参照	REV B
角度 ANGLE	+3°	B 変更 (J2004-4519)	1.1 M.S. 04/05/31	DRAWN BY A. Mitake	TITLE 名称 SL MALE CRIMP TERMINAL -LEAD FREE-
30 以上 OVER	+0.3	A 変更 (JD60398)	1.1 M.S. 95/12/07	CHK'D BY M. Kuro	
10 以上 OVER	+0.25	0 新規作成 (T00110)	1.1 M.S. '90/4/6	APP'D BY S. Yamada	
10 未満 UNDER	+0.2	記号 変更内容 LTR REVISION RECORD	DR. CHK. 日付 DATE	尺度 SCALE 10-1	
一般公差 GENERAL TOLERANCES		REVISE ONLY ON CAD SYSTEM			

THIS DRAWING CONTAINS INFORMATION THAT IS PROPRIETARY TO MOLEX(JAPAN) AND SHOULD NOT BE USED WITHOUT WRITTEN PERMISSION
本図面は日本モレックス(株)の所有する情報を含むもので 当社の許可なく複製を禁止する。



NOTES:

1. TERMINAL FOR USE WITH HOUSING PART NO. 70066-**** & 70107-****.
2. MATERIAL: .008/(0.20) THK. PHOSPHOR BRONZE.
3. TERMINAL TO BE USED WITH 22-24 AWG STRANDED WIRE WITH .064 DIA. MAX. INSULATION.
4. REFER TO MOLEX OPERATIONAL AND SERVICE MANUAL FOR DETAILS.
5. REFER TO PRODUCT SPECIFICATION NO. PS-70021.
6. PARTS SUPPLIED LOOSE PER DRAWING PK-70873-0822.

PLATING:

.000015 GOLD PLATE IN SELECT AREA.
 .000075 MIN. TIN PLATE IN SELECT AREA.
 OVER NICKEL PLATE.

*THE PRIMARY SHIPPING CARTON WILL BE LABELED "COMPLIANT TO RoHS DIRECTIVE 2002/95/EC AND ELV ANNEX II OF DIRECTIVE 2000/53/EC". CARTONS WITHOUT THIS LABEL MAY CONTAIN PRODUCT WITH LEAD.

E	LEAD FREE UCP2004-1769 RWHITE 04/03/15
D2	REVISED PER ECR #U80270 MCGRATH 97/07/31
D1	REVISED PER ECR #U70928 MCGRATH 97/06/26
D	REVISED PLTG. SPEC. PER ECR # U31149 08/19/93 REED
C	REVISED PER ECR# U82220 11-07-88 MJM/MGB
B	REDRAWN ON CAD PER E.C.M. #9509 11/10/86 WJF/MJM

MFG.	SH.	REV.	LTR.	REVISIONS
------	-----	------	------	-----------

DIMENSIONS SHOWN (METRIC) INCH		▽ = 0 ▼ = 0		REVISE ONLY ON CAD SYSTEM	
UNLESS OTHERWISE SPECIFIED TOLERANCES: ANGULAR ± 1/2°					
		INCH		METRIC	
3 PLACE	± .010	---			
2 PLACE	± .015	± 0.25			
1 PLACE	---	± 0.35			
DRAFT WHERE APPLICABLE MUST REMAIN WITHIN DIMENSIONS					
DRWG. BY: WJF		CHK'D. BY: MJM		FILE NAME: S70021X24 DGN	
APP'D. BY: WAZ		SCALE: 10:1		THIS DRAWING CONTAINS INFORMATION THAT IS PROPRIETARY TO MOLEX INC. AND SHOULD NOT BE USED WITHOUT WRITTEN PERMISSION.	
MOLEX INCORPORATED		LISLE, ILL. 60532 U.S.A.		SHEET NO. 1 DATE 10/30/86	
PART NO. 16-02-0115		DRWG. NO. SD-70021-0223			
TITLE: TERMINAL, MALE CRIMP		DIV. DA		SIZE B	