

**ELECTROSTATIC SENSITIVE DEVICE**  
OBSERVE HANDLING PRECAUTIONS

**MITSUBISHI RF MOSFET MODULE**  
**RA01L9595M**

RoHS Compliance , 952-954MHz 1.4W 3.3V, 2 Stage Amp. For RFID READER / WRITER

**DESCRIPTION**

The RA01L9595M is a 1.4-watt RF MOSFET Amplifier Module. The battery can be connected directly to the drain of the enhancement-mode MOSFET transistors. The output power and drain current increase as the gate voltage increases. With a gate voltage around 0.5V (minimum), output power and drain current increases substantially. The nominal output power becomes available at 1.5V (typical) and 2.0V (maximum). At  $V_{GG}=2.0V$ , the typical gate current is 1mA.

**FEATURES**

- Enhancement-Mode MOSFET Transistors ( $I_{DD} \approx 0$  @  $V_{DD}=3.3V$ ,  $V_{GG}=0V$ )
- $P_{out} > 1.4W$ ,  $\tau > 35\%$  @  $V_{DD}=3.3V$ ,  $V_{GG}=2.0V$ ,  $P_{in}=30mW$
- Frequency Range: 952-954MHz
- Low-Power Control Current  $I_{GG}=1mA$  (typ) at  $V_{GG}=2.0V$
- Module Size: 9.1 x 9.2 x 1.8 mm

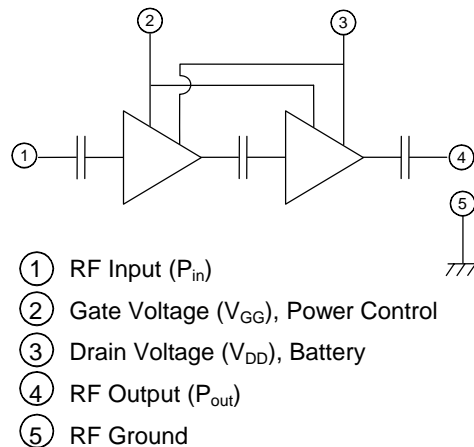
**RoHS COMPLIANCE**

- RA01L8693MA -101 is a RoHS compliance products.
- RoHS compliance is indicate by the letter "G" after the Lot Marking.
- This product include the lead in the Glass of electronic parts and the lead in electronic Ceramic parts.  
How ever ,it is applicable to the following exceptions of RoHS Directions.
  - 1.Lead in the Glass of a cathode-ray tube, electronic parts, and fluorescent tubes.
  - 2.Lead in electronic Ceramic parts.

**ORDERING INFORMATION:**

ORDER NUMBER	SUPPLY FORM
RA01L9595M -101	Antistatic tray, 25 modules/tray

**BLOCK DIAGRAM**



**PACKAGE CODE: H58**



**MAXIMUM RATINGS** ( $T_{case}=+25deg.C.$  unless otherwise specified)

SYMBOL	PARAMETER	CONDITIONS	RATING	UNIT
$V_{DD}$	Drain Voltage	$V_{GG}<2.0V, Z_G=Z_L=50ohm$	6	V
$V_{GG}$	Gate Voltage	$V_{DD}<3.3V, P_{in}=0mW, Z_G=Z_L=50ohm$	3	V
$P_{in}$	Input Power	$f=952-954MHz, V_{GG}<2.0V$ $Z_G=Z_L=50ohm$	50	mW
$P_{out}$	Output Power		3	W
$T_{case(OP)}$	Operation Case Temperature Range		-30 to +90	°C
$T_{stg}$	Storage Temperature Range		-40 to +110	°C

The above parameters are independently guaranteed.

**ELECTRICAL CHARACTERISTICS** ( $T_{case}=+25°C, Z_G=Z_L=50Ω$ , unless otherwise specified)

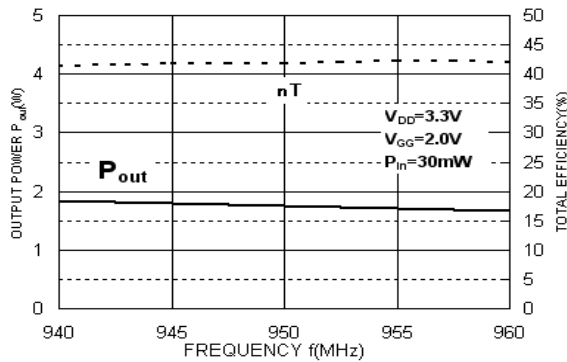
SYMBOL	PARAMETER	CONDITIONS	MIN	TYP	MAX	UNIT
f	Frequency Range		952		954	MHz
$P_{out}$	Output Power	$V_{DD}=3.3V$ $V_{GG}=2.0V$ $P_{IN}=30mW$	1.4			W
$\tau$	Total Efficiency		35			%
$2f_o$	2 <sup>nd</sup> Harmonic				-30	dBc
$\rho_{in}$	Input VSWR				4.4:1	—
$P_{out(2)}$	Output Power	$V_{DD}=5.0V, V_{GG}=2.0V, P_{IN}=30mW$	2			W
$\tau(2)$	Total Efficiency	$V_{DD}=5.0V$ $P_{IN}=30mW, P_{OUT}=2W (V_{GG} \text{ control})$		32		%
—	Stability	$V_{DD}=2.5/3.3/6.0V, V_{GG}=0.5-2.0V,$ $P_{IN}=20-50mW, P_o<2.5W$ $Z_g=50ohm, \text{ Load VSWR}=4:1$	No parasitic oscillation			—
—	Load VSWR Tolerance	$V_{DD}=6.0V, P_{IN}=30mW,$ $P_{out}=2W (V_{GG} \text{ control}),$ $Z_g=50ohm, \text{ Load VSWR}=20:1$	No degradation or destroy			—

All parameters, conditions, ratings, and limits are subject to change without notice.

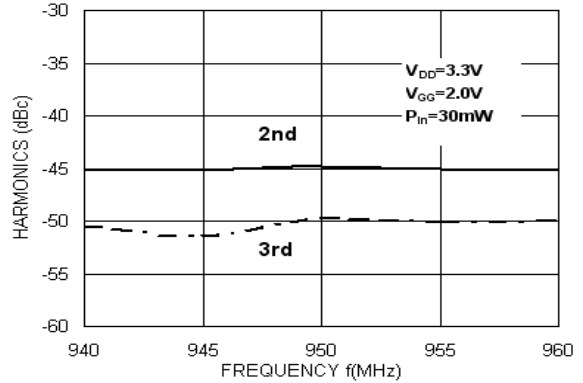


**TYPICAL PERFORMANCE** ( $V_{DD}=3.3V, T_{case}=+25deg.C, Z_G=Z_L=50\Omega$ , unless otherwise specified)

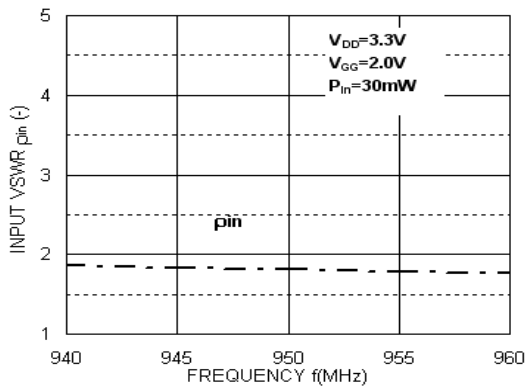
**OUTPUT POWER, TOTAL EFFICIENCY, versus FREQUENCY**



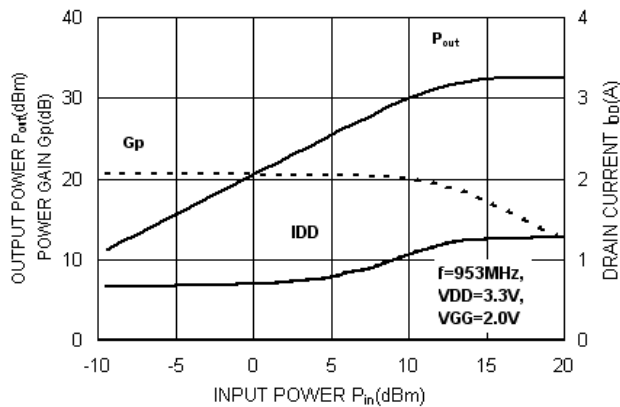
**2<sup>nd</sup>, 3<sup>rd</sup> HARMONICS versus FREQUENCY**



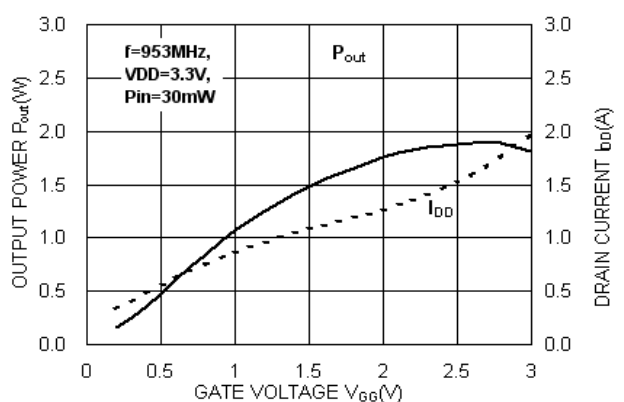
**INPUT VSWR versus FREQUENCY**



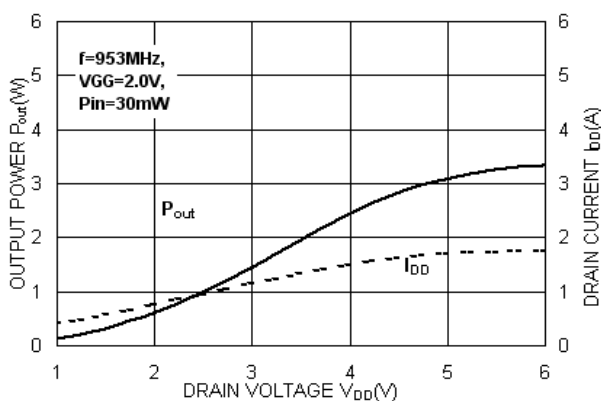
**OUTPUT POWER, POWER GAIN and DRAIN CURRENT versus INPUT POWER**



**OUTPUT POWER and DRAIN CURRENT versus GATE VOLTAGE**



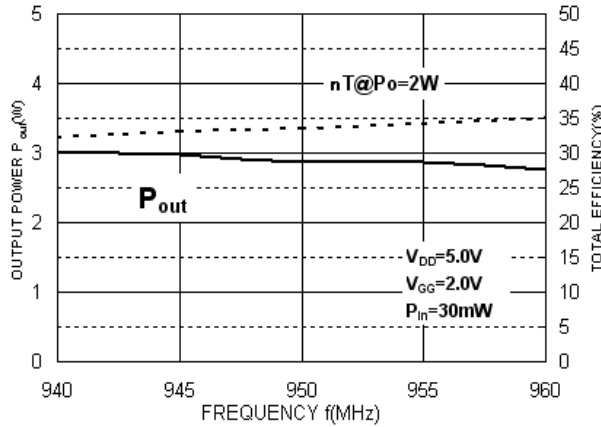
**OUTPUT POWER and DRAIN CURRENT versus DRAIN VOLTAGE**



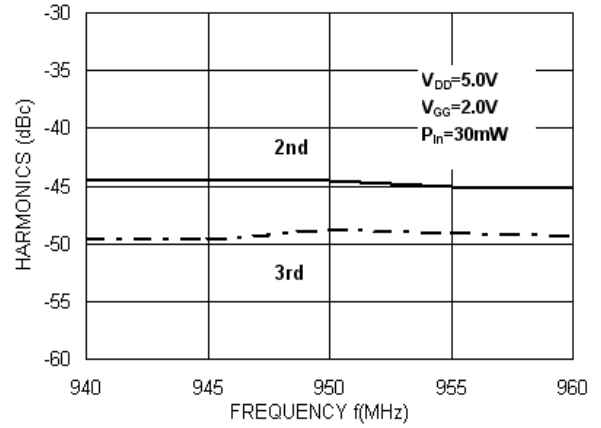


TYPICAL PERFORMANCE ( $V_{DD}=5.0V, T_{case}=+25deg.C, Z_G=Z_L=50\Omega$ , unless otherwise specified)

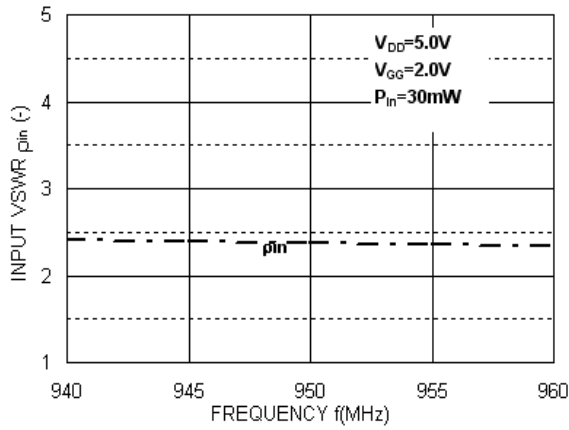
OUTPUT POWER, TOTAL EFFICIENCY,  
versus FREQUENCY



2<sup>nd</sup>, 3<sup>rd</sup> HARMONICS versus FREQUENCY



INPUT VSWR versus FREQUENCY

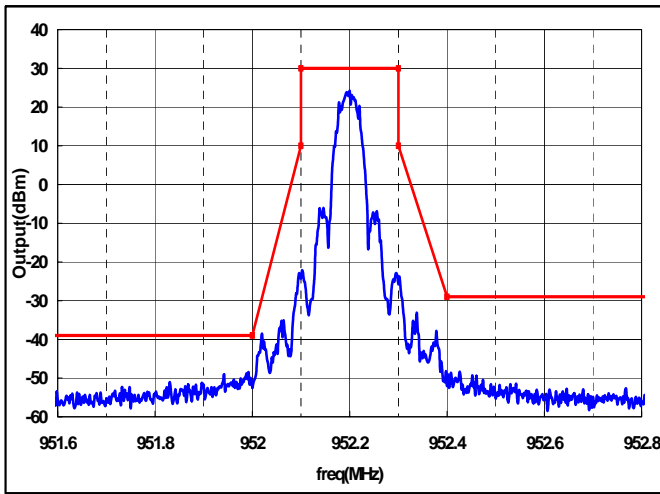




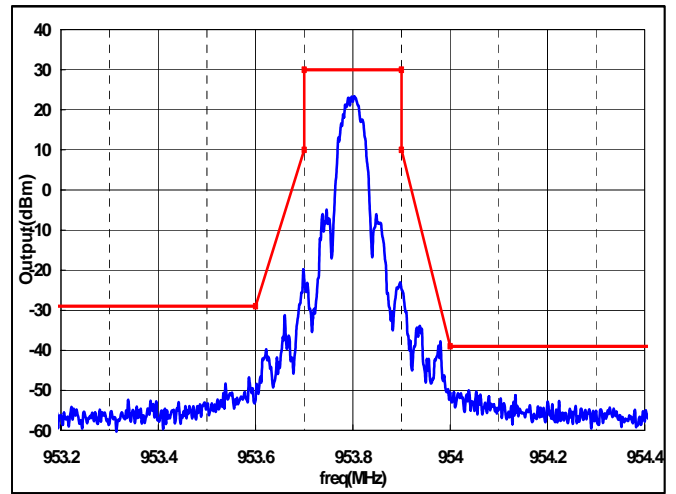
**TYPICAL PERFORMANCE** ( $V_{dd}=3.3V$ ,  $V_{gg}=2V$ ,  $P_{out}=1W$ , Modulation Type: BPSK,  $T_a=25deg.C$ )

**Output Power versus FREQUENCY**

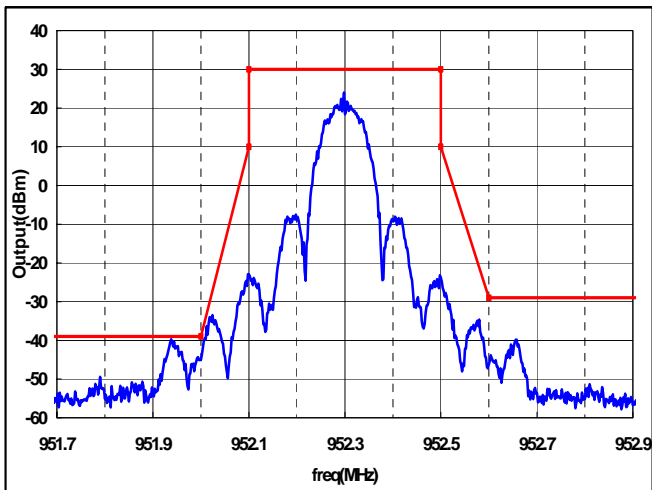
CF=952.2MHz  
DataRate: 40Kbps



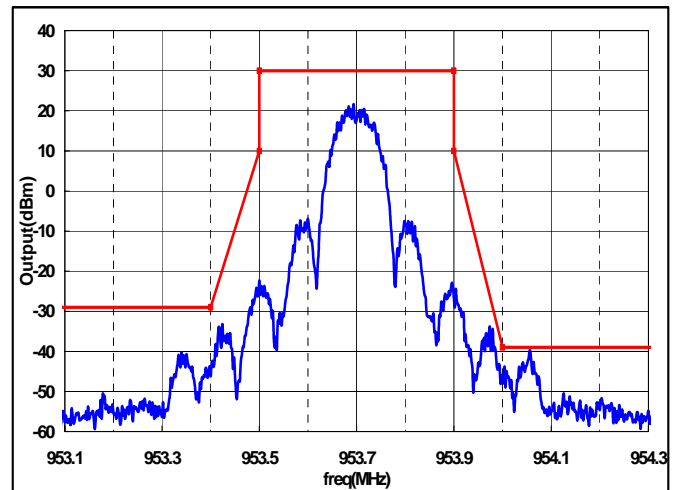
CF=953.8MHz,  
DataRate: 40Kbps



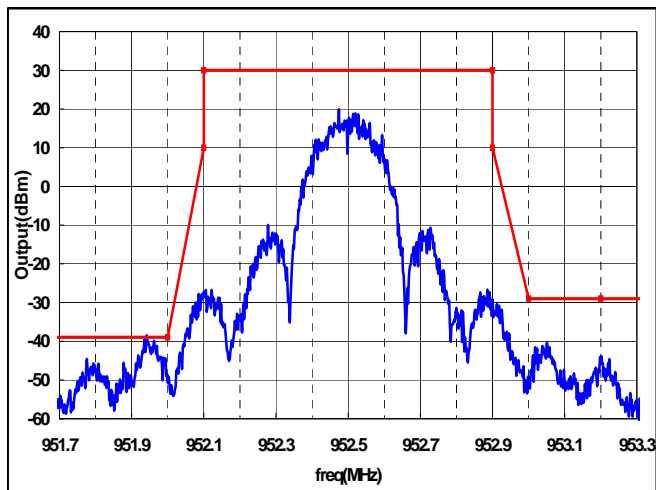
CF=952.3MHz,  
DataRate: 80Kbps



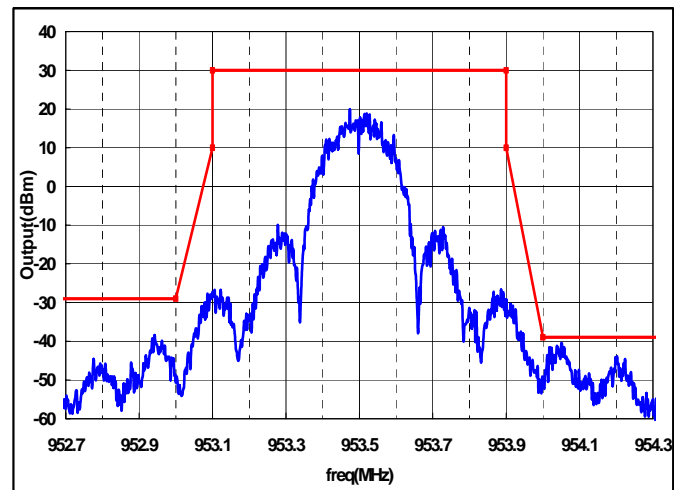
CF=953.7MHz  
DataRate: 80Kbps



CF=952.5MHz,  
DataRate: 160Kbps



CF=953.5MHz  
DataRate: 160Kbps



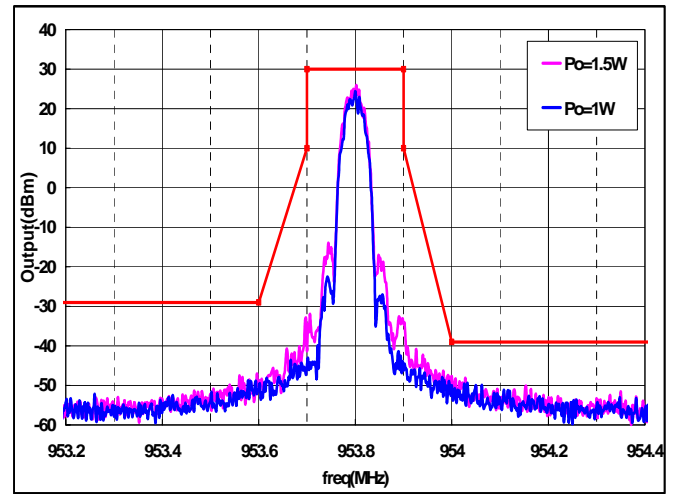
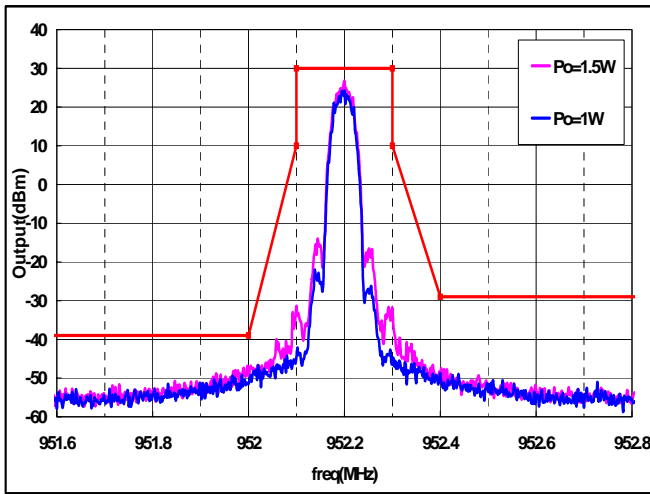


**TYPICAL PERFORMANCE** ( $V_{dd}=5.0V$ ,  $V_{gg}=2V$ , Modulation Type : BPSK , Pin control,  $T_a=25\text{deg.C}$ )

**Output Power versus FREQUENCY**

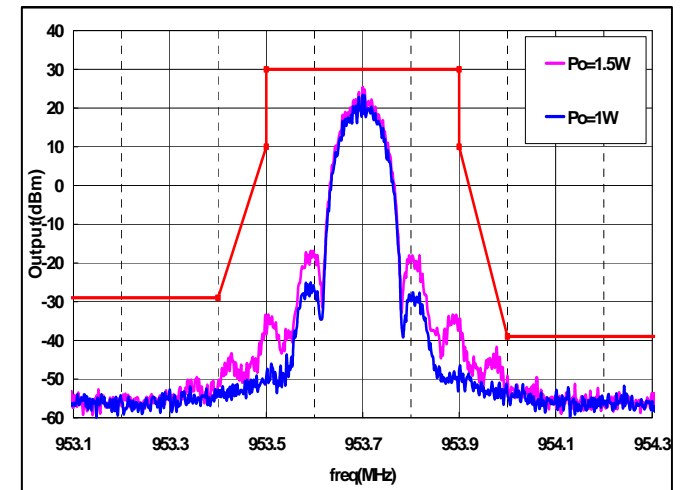
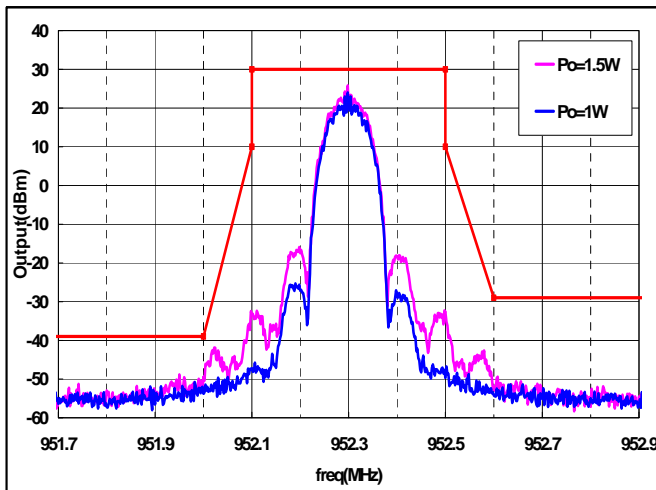
CF=952.2MHz  
DataRate : 40Kbps

CF=953.8MHz,  
DataRate : 40Kbps



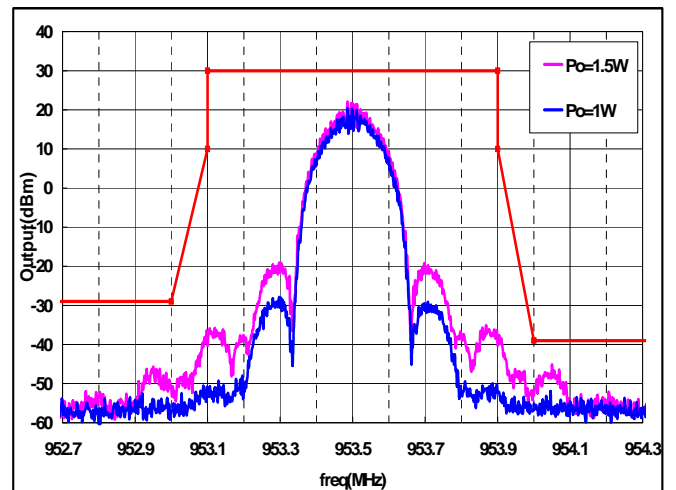
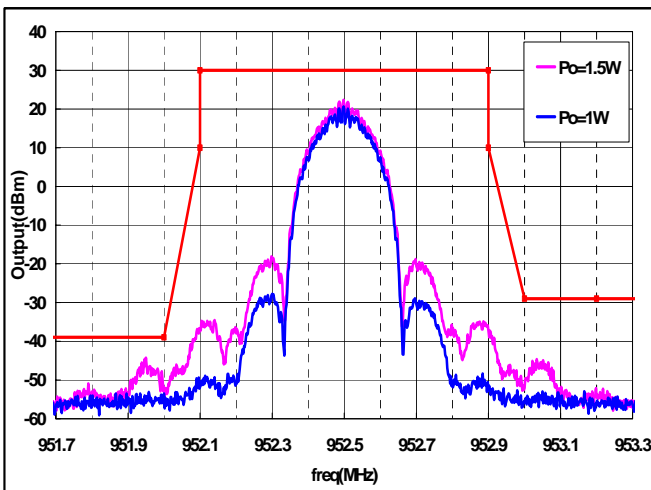
CF=952.3MHz,  
DataRate : 80Kbps

CF=953.7MHz  
DataRate : 80Kbps



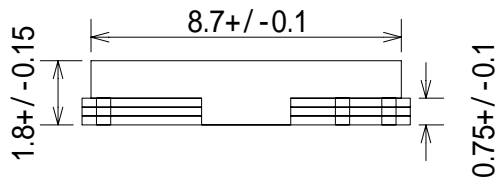
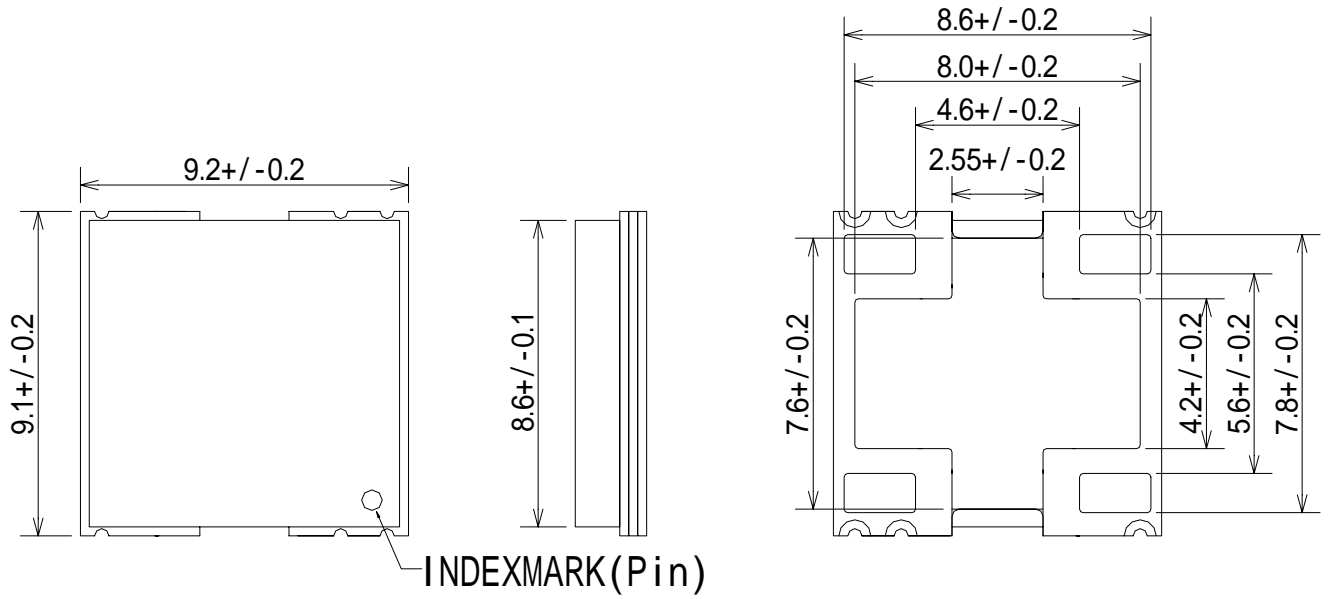
CF=952.5MHz,  
DataRate : 160Kbps

CF=953.5MHz  
DataRate : 160Kbps





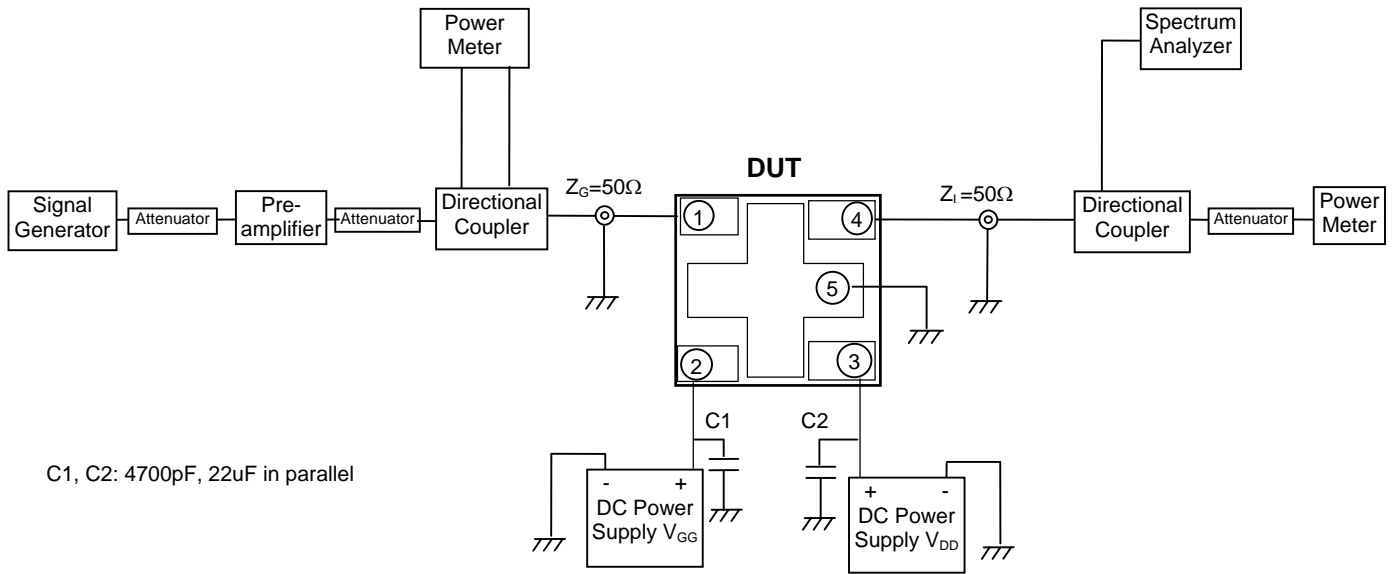
OUTLINE DRAWING (mm)



- ① RF Input ( $P_{in}$ )
- ② Gate Voltage ( $V_{GG}$ )
- ③ Drain Voltage ( $V_{DD}$ )
- ④ RF Output ( $P_{out}$ )
- ⑤ RF Ground (Case)



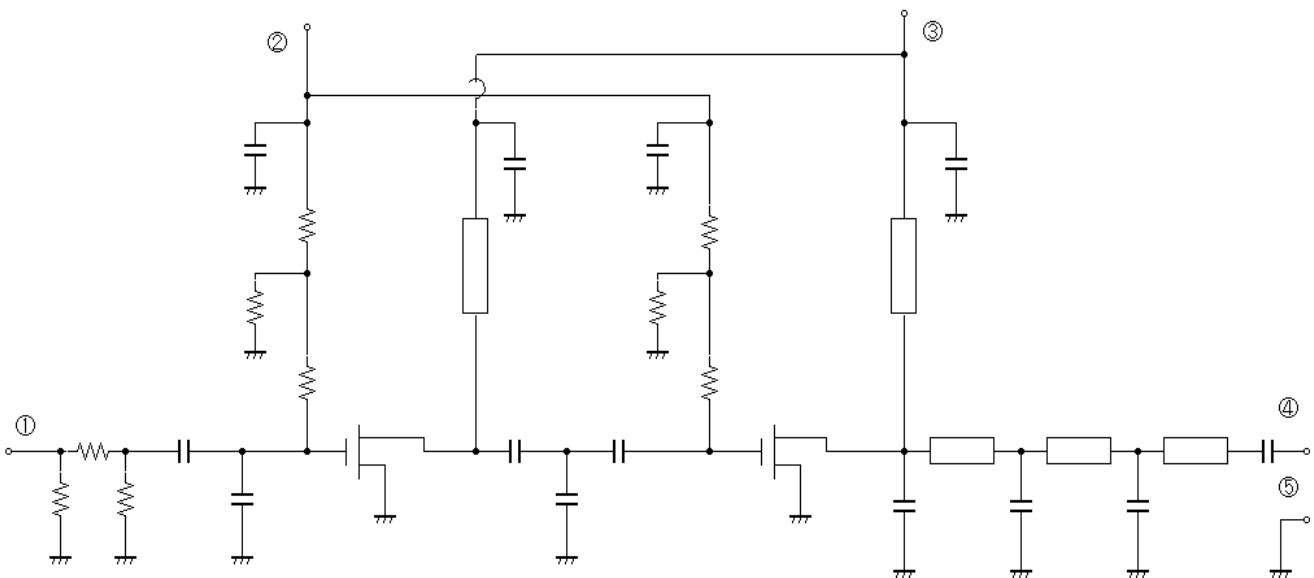
**TEST BLOCK DIAGRAM**



C1, C2: 4700pF, 22uF in parallel

- ① RF Input ( $P_{in}$ )
- ② Gate Voltage ( $V_{GG}$ )
- ③ Drain Voltage ( $V_{DD}$ )
- ④ RF Output ( $P_{out}$ )
- ⑤ RF Ground

**EQUIVALENT CIRCUIT**







**PRECAUTIONS, RECOMMENDATIONS, and APPLICATION INFORMATION:**

**Construction:**

This module consists of an alumina substrate. For mechanical protection, a metal cap is attached (which makes the improvement of RF radiation easy). The MOSFET transistor chips are die bonded onto the substrate, wire bonded to the substrate, and coated with resin. Lines on the substrate (eventually inductors), chip capacitors, and resistors form the bias and matching circuits. The DC and RF connection is provided at the backside of substrate.

Following conditions must be avoided:

- a) Bending forces on the alumina substrate (for example, by fast thermal changes)
- b) Defluxing solvents reacting with the resin coating on the MOSFET chips (for example, Trichloroethylene)
- c) Frequent on/off switching that causes thermal expansion of the resin
- d) ESD, surge, over voltage in combination with load VSWR, and oscillation

**ESD:**

This MOSFET module is sensitive to ESD voltages down to 1000V. Appropriate ESD precautions are required.

**Thermal Design of the Heat Sink:**

At  $P_{out}=1.4W$ ,  $V_{DD}=3.3V$  and  $P_{in}=30mW$  each stage transistor operating conditions are:

Stage	$P_{in}$ (W)	$P_{out}$ (W)	$R_{th(ch-case)}$ (°C/W)	$I_{DD}$ @ $\eta_T=40\%$ (A)	$V_{DD}$ (V)
1 <sup>st</sup>	0.03	0.3	57.2	0.11	3.3
2 <sup>nd</sup>	0.3	1.4	7.6	1.10	

The channel temperatures of each stage transistor  $T_{ch} = T_{case} + (V_{DD} \times I_{DD} - P_{out} + P_{in}) \times R_{th(ch-case)}$  are:

$$T_{ch1} = T_{case} + (3.3V \times 0.11A - 0.3W + 0.03W) \times 57.2°C/W = T_{case} + 5.3 °C$$

$$T_{ch2} = T_{case} + (3.3V \times 1.10A - 1.4W + 0.3W) \times 7.6°C/W = T_{case} + 19.2 °C$$

For long-term reliability, it is best to keep the module case temperature ( $T_{case}$ ) below 70°C. For an ambient temperature  $T_{air}=45°C$  and  $P_{out}=3W$ , the required thermal resistance  $R_{th(case-air)} = (T_{case} - T_{air}) / ((P_{out} / \eta_T) - P_{out} + P_{in})$  of the heat sink, including the contact resistance, is:

$$R_{th(case-air)} = (70°C - 45°C) / (1.4W/35\% - 1.4W + 0.03W) = 9.51°C/W$$

When mounting the module with the thermal resistance of 9.51°C/W, the channel temperature of each stage transistor is:

$$T_{ch1} = T_{air} + 30.3 °C$$

$$T_{ch2} = T_{air} + 44.2 °C$$

The 175°C maximum rating for the channel temperature ensures application under derated conditions.

**Output Power Control:**

The recommended method to control the output power is by the input power ( $P_{in}$ ).

**Oscillation:**

To test RF characteristics, this module is put on a fixture with two bias decoupling capacitors each on gate and drain, a 4.700 pF chip capacitor, located close to the module, and a 22  $\mu$ F (or more) electrolytic capacitor.

When an amplifier circuit around this module shows oscillation, the following may be checked:

- a) Do the bias decoupling capacitors have a low inductance pass to the case of the module?
- b) Is the load impedance  $Z_L=50\Omega$
- c) Is the source impedance  $Z_G=50\Omega$

**Frequent on/off switching:**

In base stations, frequent on/off switching can cause thermal expansion of the resin that coats the transistor chips and can result in reduced or no output power. The bond wires in the resin will break after long-term thermally induced mechanical stress.

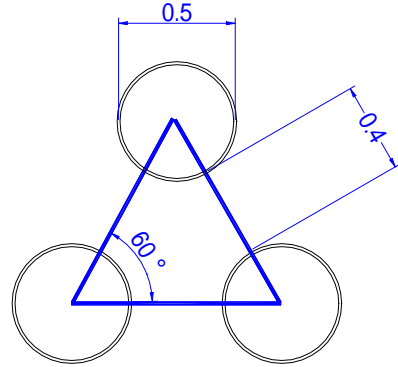
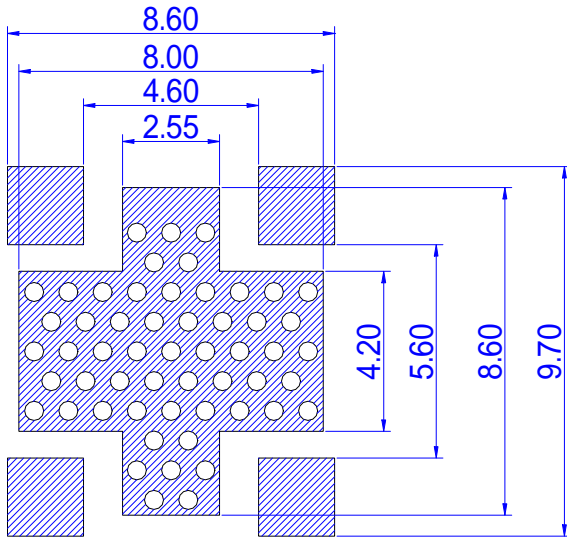
**Quality:**

Mitsubishi Electric is not liable for failures resulting from base station operation time or operating conditions exceeding those of RFID reader / writer.

This module technology results from more than 20 years of experience, field proven in tens of millions of mobile radios. Currently, most returned modules show failures such as ESD, substrate crack, and transistor burnout, which are caused by improper handling or exceeding recommended operating conditions. Few degradation failures are found.



### P.C.B Land Pattern Recommendation

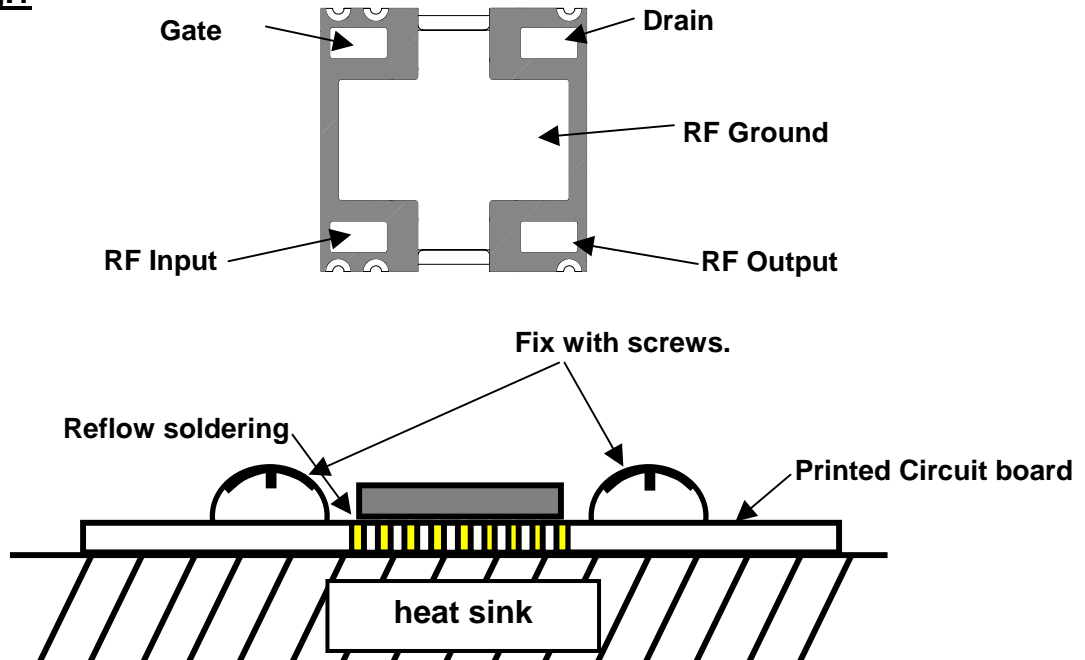


EQUILATERAL TRIANGLE ARRANGEMENT  
THROUGH HOLE

### Mounting method

Mitsubishi recommends device mounting like Fig.1. In order to heat radiation, we recommend to fix the PCB and heat sink by screw. This PCB has through holes that filled up with resin to restrain the solder flow under the RF Ground. The interval of through holes is 0.4mm and these holes are arranged in the shape of equilateral triangles.

**Fig.1**



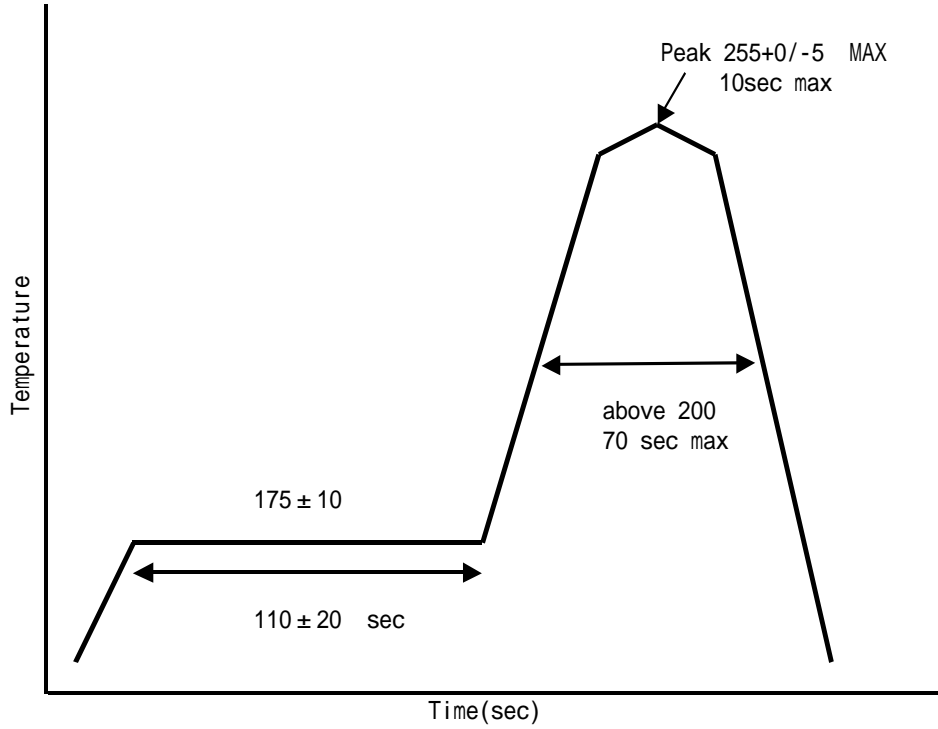
# Note: Mitsubishi Heat Sink size=30 \* 60 \* 10 Unit: mm



### Reflow soldering

Regarding to reflow soldering, Mitsubishi recommend the heat profile of Fig.2. Reflow soldering is able to do till 3 times.

**Fig.2**





## Precautions for the use of MITSUBISHI silicon RF power amplifier devices

1. The specifications of mention are not guarantee values in this data sheet. Please confirm additional details regarding operation of these products from the formal specification sheet. For copies of the formal specification sheets, please contact one of our sales offices.
2. RA series products (RF power amplifier modules) and RD series products (RF power transistors) are designed for consumer mobile communication terminals and were not specifically designed for use in other applications. In particular, while these products are highly reliable for their designed purpose, they are not manufactured under a quality assurance testing protocol that is sufficient to guarantee the level of reliability typically deemed necessary for critical communications elements. Examples of critical communications elements would include transmitters for base station applications and fixed station applications that operate with long term continuous transmission and a higher on-off frequency during transmitting, especially for systems that may have a high impact to society.
3. RA series and RD series products use MOSFET semiconductor technology. They are sensitive to ESD voltage therefore appropriate ESD precautions are required.
4. In the case of use in below than recommended frequency, there is possibility to occur that the device is deteriorated or destroyed due to the RF-swing exceed the breakdown voltage.
5. In order to maximize reliability of the equipment, it is better to keep the devices temperature low. It is recommended to utilize a sufficient sized heat-sink in conjunction with other cooling methods as needed (fan, etc.) to keep the case temperature for RA series products lower than 60deg/C under standard conditions, and less than 90deg/C under extreme conditions.
6. RA series products are designed to operate into a nominal load impedance of 50 ohms. Under the condition of operating into a severe high load VSWR approaching an open or short, an over load condition could occur. In the worst case there is risk for burn out of the transistors and burning of other parts including the substrate in the module.
7. The formal specification includes a guarantee against parasitic oscillation under a specified maximum load mismatch condition. The inspection for parasitic oscillation is performed on a sample basis on our manufacturing line. It is recommended that verification of no parasitic oscillation be performed at the completed equipment level also.
8. For specific precautions regarding assembly of these products into the equipment, please refer to the supplementary items in the specification sheet.
9. Warranty for the product is void if the products protective cap (lid) is removed or if the product is modified in any way from it's original form.
10. For additional "Safety first" in your circuit design and notes regarding the materials, please refer the last page of this data sheet.
11. Please refer to the additional precautions in the formal specification sheet.

### **warning !**

Do not use the device at the exceeded the maximum rating condition. In case of plastic molded devices, the exceeded maximum rating condition may cause blowout, smoldering or catch fire of the molding resin due to extreme short current flow between the drain and the source of the device. These results causes in fire or injury.



**Keep safety first in your circuit designs !**

Mitsubishi Electric Corporation puts the maximum effort into making semiconductor products better and more reliable, but there is always the possibility that trouble may occur with them. Trouble with semiconductors may lead to personal injury, fire or property damage. Remember to give due consideration to safety when making your circuit designs, with appropriate measures such as (i) placement of substitutive, auxiliary circuits, (ii) use of non-flammable material or (iii) prevention against any malfunction or mishap.

**Notes regarding these**

- These materials are intended as a reference to assist our customers in the selection of the Mitsubishi semiconductor product best suited to the customer's application; they do not convey any license under any intellectual property rights, or any other rights, belonging to Mitsubishi Electric Corporation or a third party.
- Mitsubishi Electric Corporation assumes no responsibility for any damage, or infringement of any third-party's rights, originating in the use of any product data, diagrams, charts, programs, algorithms, or circuit application examples contained in these materials.
- All information contained in these materials, including product data, diagrams, charts, programs and algorithms represents information on products at the time of publication of these materials, and are subject to change by Mitsubishi Electric Corporation without notice due to product improvements or other reasons. It is therefore recommended that customers contact Mitsubishi Electric Corporation or an authorized Mitsubishi Semiconductor product distributor for the latest product information before purchasing a product listed herein. The information described here may contain technical inaccuracies or typographical errors. Mitsubishi Electric Corporation assumes no responsibility for any damage, liability, or other loss rising from these inaccuracies or errors. Please also pay attention to information published by Mitsubishi Electric Corporation by various means, including the Mitsubishi Semiconductor home page (<http://www.mitsubishichips.com>).
- When using any or all of the information contained in these materials, including product data, diagrams, charts, programs, and algorithms, please be sure to evaluate all information as a total system before making a final decision on the applicability of the information and products. Mitsubishi Electric Corporation assumes no responsibility for any damage, liability or other loss resulting from the information contained herein.
- Mitsubishi Electric Corporation semiconductors are not designed or manufactured for use in a device or system that is used under circumstances in which human life is potentially at stake. Please contact Mitsubishi Electric Corporation or an authorized Mitsubishi Semiconductor product distributor when considering the use of a product contained herein for any specific purposes, such as apparatus or systems for transportation, vehicular, medical, aerospace, nuclear, or undersea repeater use.
- The prior written approval of Mitsubishi Electric Corporation is necessary to reprint or reproduce in whole or in part these materials.
- If these products or technologies are subject to the Japanese export control restrictions, they must be exported under a license from the Japanese government and cannot be imported into a country other than the approved destination.  
Any diversion or reexport contrary to the export control laws and regulations of Japan and/or the country of destination is prohibited.
- Please contact Mitsubishi Electric Corporation or an authorized Mitsubishi Semiconductor product distributor for further details on these materials or the products contained therein.