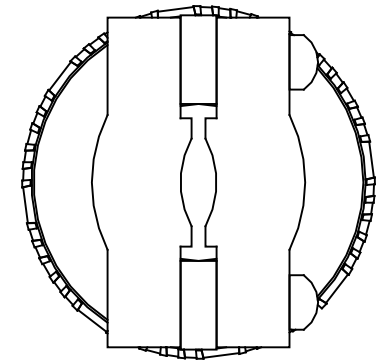
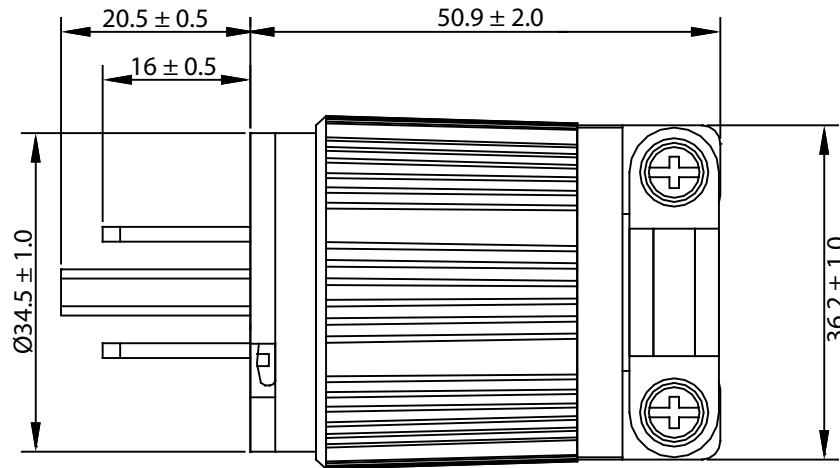
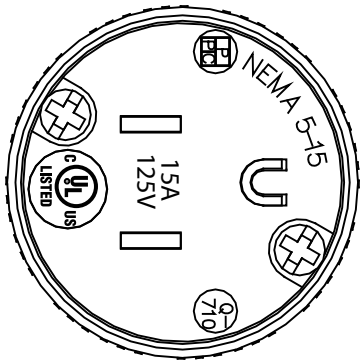


THESE DRAWINGS ARE THE PROPERTY OF QUALTEK ELECTRONICS AND NOT TO BE REPRODUCED FOR OR COMMUNICATED TO A THIRD PARTY WITHOUT THE EXPRESS WRITTEN PERMISSION OF AN OFFICER OF QUALTEK ELECTRONICS.

REVISION			
REV.	DESCRIPTION	DATE	APPROVED



CONTROLLED

NOTES:

- RATING: 15A 125VAC
- COLOR: BLACK/WHITE
- CORD CLAMP: ACCEPTS 18/3 - 12/3 CABLE
- TERMINAL I.D.:
 - A. GROUND TERMINAL SCREW GREEN AND MARKED "GR"
 - B. LINE TERMINAL SCREW BLACK
 - C. NEUTRAL TERMINAL SCREW WHITE AND MARKED WITH "W"
- APPROVALS: UL/cUL LISTED: E139592
- ROHS COMPLIANT

Dim range (mm)	Tolerance +/- (mm)	Qualtek Electronics Corp. PPC DIVISION		
		Part Number: Q-710-BW	RoHS Compliant	
0-1	0.15	Description: NEMA 5-15P STRAIGHT BLADE DEVICE		
1-6	0.20			
6-18	0.30			
18-50	0.50			
50-120	0.70	UNIT: mm		
120-250	0.90	Drawn / Date	Checked / Date	Approved / Date
250-500	1.20	R.Nuti 04-15-09	04-15-09	LY / 04-15-09