

**PLEASE CHECK WWW.MOLEX.COM FOR LATEST PART INFORMATION**

**Part Number:** [0345750003](#)  
**Status:** **Active**  
**Overview:** [mx123 sealed connection systems](#)  
**Description:** MX123™ 49/56 Circuit Dress Cover

**Documents:**

[Drawing \(PDF\)](#) [RoHS Certificate of Compliance \(PDF\)](#)  
[Product Specification PS-34566-0000 \(PDF\)](#)

**General**

Product Family	Accessories
Series	<a href="#">34575</a>
Component Type	Cover
Overview	<a href="#">mx123 sealed connection systems</a>
Product Name	MX123

**Physical**

Circuits (Loaded)	0
Color - Resin	Black
Lock to Mating Part	Yes
Material - Resin	Polyester Alloy
Packaging Type	Carton

**Material Info**

**Reference - Drawing Numbers**

Packaging Specification	PK-31300-180
Product Specification	PS-34566-0000
Sales Drawing	SD-34575-001



**EU RoHS**

**ELV and RoHS  
Compliant**  
**REACH SVHC  
Contains SVHC: No**  
**Halogen-Free  
Status  
Not Reviewed**

**China RoHS**

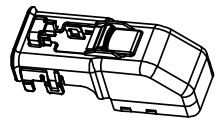


**Need more information on product  
environmental compliance?**

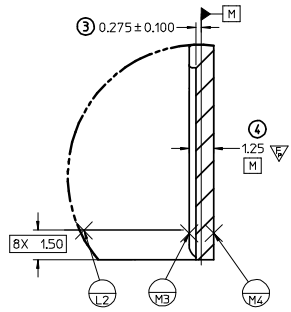
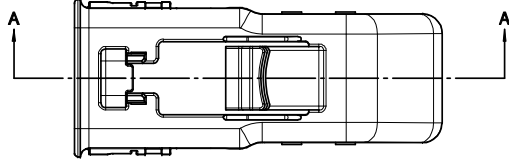
Email [productcompliance@molex.com](mailto:productcompliance@molex.com)  
 For a multiple part number RoHS Certificate of  
 Compliance, [click here](#)

Please visit the [Contact Us](#) section for any  
 non-product compliance questions.

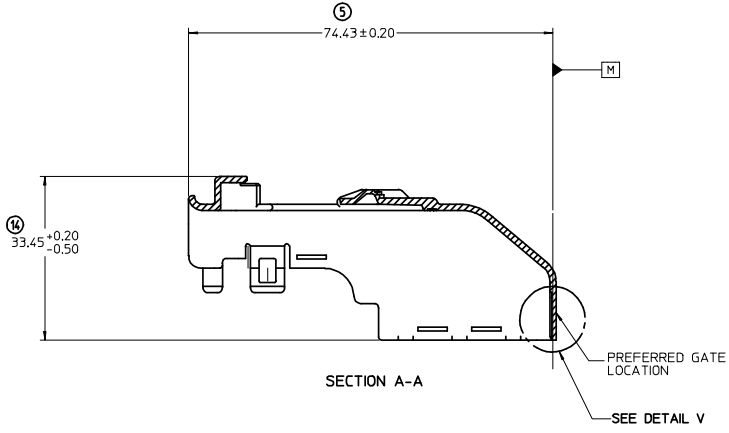
**Search Parts in this Series**  
[34575Series](#)



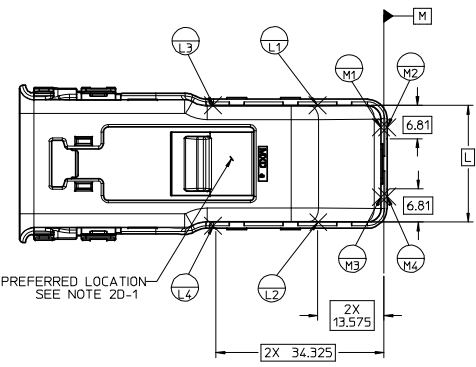
SCALE 1:1



DETAIL V  
SCALE 8:1



SECTION A-A



PREFERRED LOCATION - SEE NOTE 2D-1

QUALITY SYMBOL COUNT	
PERFORMANCE	▽ = 3
ASSEMBLY	▽ = 0
CUSTOMER	▽ = 0

NOTES: UNLESS OTHERWISE SPECIFIED

1. MATERIAL:

- A. RESIN: PBT, GF. 30%  
20% MAX. REGRIND (BY WEIGHT)
- B. COLOR: SEE TABLE

2. DESIGN - GENERAL:

- A. THIS IS A 100% CAD GENERATED PART. THE CAD MATHEMATICAL DATA IS THE MASTER FOR THIS PART. FOR DIMENSIONAL OR ANY INFORMATION NOT SHOWN ON THIS DRAWING, ANALYZE THE CAD MODEL.
- B. TOLERANCES:
  - a. LINEAR:
    - XXX ± 0.30
    - XXX ± 0.10
    - XXXX ± 0.10
  - b. ANGULAR: X° ± 3.0°
- C. CORNERS SHOWN AS SHARP TO BE R 0.2 MAX.
- D-1. FOLLOWING PRODUCTION CODES TO BE PRESENT
  - a. DATE CODE
  - b. CAVITY ID
- E-1. PARTS MUST BE FREE OF DISCOLORATION, SALT RESIDUE AND OTHER IMPERFECTIONS THAT AFFECT FIT OR FUNCTION.
- E-2. SCRATCHES OR DENTS NOT TO EXCEED 0.13mm IN DEPTH.
- F. CHANGES IN DESIGN FROM PART PREVIOUSLY APPROVED REQUIRES PRIOR ENGINEERING APPROVAL. THIS INCLUDES BUT IS NOT LIMITED TO DRAFT, MATERIAL OR PROCESSING.

3. DESIGN - MANUFACTURING:

- A. DRAFT TO BE WITHIN TOLERANCE.
- B. ALLOWABLE FLASH 0.2 MAX HIGH X 0.13 MAX THICK.
- C. ALLOWABLE PARTING LINE MISMATCH 0.2 MAX.
- D. EJECTOR PINS MARK TO BE FLUSH TO 0.25 MAX DEPRESSED.
- E. ALLOWABLE GATE VESTIGE TO BE FLUSH TO 0.25 MAX PROTRUSION.

MATERIAL NO.	D	BLACK	89992-0745	SALEABLE
34575-0003				

REV	DESCRIPTION
D3	RE-DRAWN IN ONE-SPACE FROM PRO-E

<b>ENTER DESCRIPTION</b> EC NO: UAU2008-0576 DRAWN BY: SRAJENDRANAT 2008/03/28 CHKD: TSK IVER 2008/03/28 APPR: VKOSHY 2008/03/28	<b>QUALITY SYMBOLS</b> ▽=0 ▽=0	<b>GENERAL TOLERANCES (UNLESS SPECIFIED)</b> mm      INCH 4 PLACES ± --- ± --- 3 PLACES ± 0.10 ± --- 2 PLACES ± 0.10 ± --- 1 PLACE ± 0.3 ± --- ANGULAR ± 3 °	<b>DIMENSION STYLE</b> MM ONLY DRAWN BY: SRAJENDRANAT 2008/03/28 CHECKED BY: TSK IVER 2008/03/28 APPROVED BY: VKOSHY 2008/03/28	SCALE: 2:1 DESIGN UNITS: METRIC THIRD ANGLE PROJECTION	TITLE: MX123 49/56 CKT DRESS COVER		
		<b>DRAFT WHERE APPLICABLE MUST REMAIN WITHIN DIMENSIONS</b>		<b>SEE BOM TABLE</b>	<b>MOLEX INCORPORATED</b> MATERIAL NO. SD-34575-001		
		<b>D3</b>			THIS DRAWING CONTAINS INFORMATION THAT IS PROPRIETARY TO MOLEX INCORPORATED AND SHOULD NOT BE USED WITHOUT WRITTEN PERMISSION		
				SHEET NO. 1 OF 1			