

PLEASE CHECK WWW.MOLEX.COM FOR LATEST PART INFORMATION

Part Number: [0357470410](#)
Status: **Active**
Overview: [versablade](#)
Description: Tab Crimp Terminal 35747, Male, 24-26 AWG , (0.20 - 0.12mm²), Brass, Pre-Tin Plated, Reel

Documents:

[Drawing \(PDF\)](#) [Product Specification PS-35180-003 \(PDF\)](#)
[Product Specification PS-35150-003 \(PDF\)](#) [RoHS Certificate of Compliance \(PDF\)](#)

General

Product Family	Crimp Terminals
Series	35745
Crimp Quality Equipment	Yes
Overview	versablade
Product Name	VersaBlade™

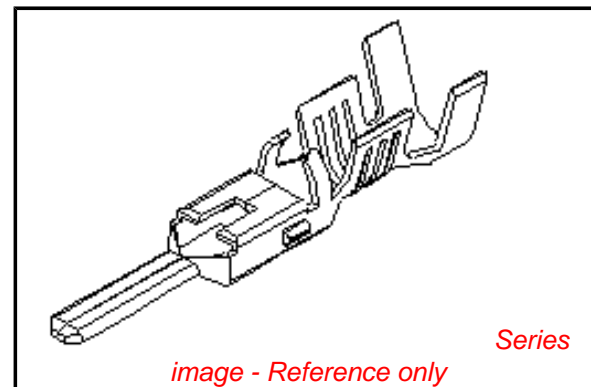
Physical

Gender	Male
Material - Metal	Brass
Material - Plating Mating	Tin
Material - Plating Termination	Tin
Packaging Type	Reel
Plating min: Mating (µin)	32.00
Plating min: Mating (µm)	0.800
Plating min: Termination (µin)	32.00
Plating min: Termination (µm)	0.80
Termination Interface: Style	Crimp or Compression
Wire Insulation Diameter	2.70mm (.106") max.
Wire Size AWG	24, 26
Wire Size mm ²	N/A

Material Info

Reference - Drawing Numbers

Product Specification	PS-35150-003, PS-35180-003, RPS-35180-001
Sales Drawing	SD-35747-001



EU RoHS

ELV and RoHS Compliant
REACH SVHC Contains SVHC: No
Halogen-Free Status

China RoHS



Need more information on product environmental compliance?

Email productcompliance@molex.com
 For a multiple part number RoHS Certificate of Compliance, [click here](#)

Please visit the [Contact Us](#) section for any non-product compliance questions.

Search Parts in this Series

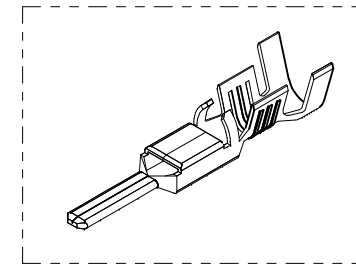
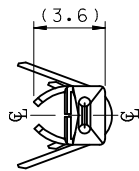
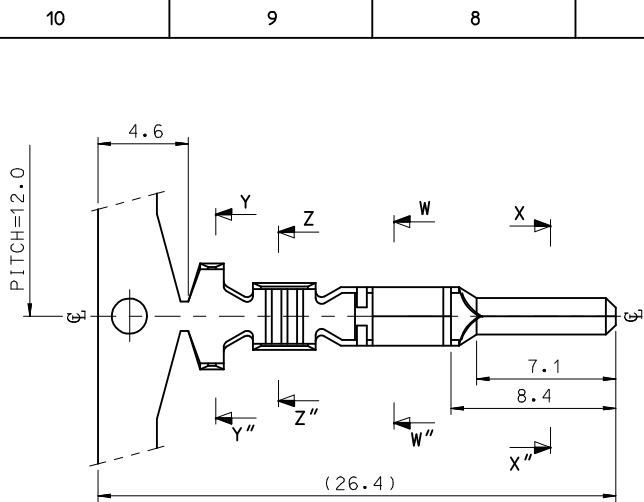
[35745Series](#)

Mates With

[35748](#) Crimp Terminal

Use With

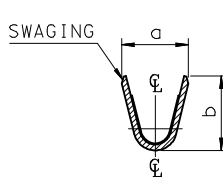
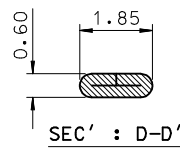
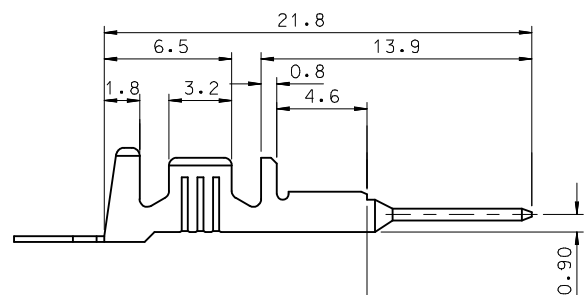
[35150](#) VersaBlade™ Hybrid Receptacle Housing. [35151](#) VersaBlade™ Hybrid Plug Housing



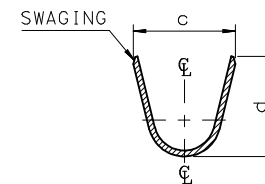
ISOMETRIC VIEW

NOTES.

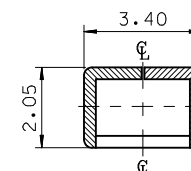
1. MATERIAL : Ⓟ BRASS, PRE-TIN PLATED
2. FINISH : 0.8~1.8μm, Tin(Sn) plating overall
0.3~0.8μm, Copper(Cu) plating
3. PRODUCT SPECIFICATION : PS-35150-001, PS-35180-002
PS-35180-003, PS-35524-001
4. CRIMPING SPECIFICATION : CS-35745-001
5. RECOMMENDED LENGTH OF WIRE STRIP IS 4.0~4.8mm



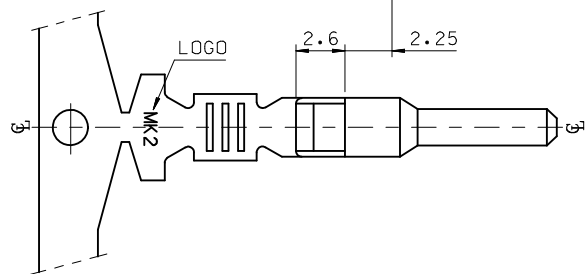
SEC' : X-X"



SEC' : Y-Y"



SEC' : C-C"



MATERIAL NO	ENG. No.	AWG	a	b	c	d	PITCH 'P'
357470210	35747-0210	#18-#14	3.4	3.8	5.2	4.8	12.0
357470110	35747-0110	#22-#20	2.85	2.8	4.2	4.0	10.6
357470410	35747-0410	#24	2.2	1.75	3.85	3.5	10.6

REVISED	EC NO: KOR2009-0151	2009/05/18
	DRWN: JHPARK01	2009/06/18
	CHKD:	
	APPR: YUNSIKIM	2009/07/01

REV	DESCRIPTION
▽=0	QUALITY SYMBOLS
∇=0	

GENERAL TOLERANCES (UNLESS SPECIFIED)	
	mm INCH
4 PLACES	± --- ± ---
3 PLACES	± --- ± ---
2 PLACES	± 0.2 ± ---
1 PLACE	± 0.3 ± ---
ANGULAR ± 1 °	
DRAFT WHERE APPLICABLE MUST REMAIN WITHIN DIMENSIONS	

DIMENSION STYLE	
MM ONLY	
DRAWN BY	DATE
JS.KANG	1998/01/19
CHECKED BY	DATE
BK. CHOI	1998/01/19
APPROVED BY	DATE
CW.LEE	1998/01/19
MATERIAL NO.	
SEE TABLE	

SCALE	DESIGN UNITS	THIRD ANGLE PROJECTION
4:1	METRIC	
TITLE		
.070 MALE TERMINAL (B-TYPE)		
MOLEX INCORPORATED		SHEET NO.
DOCUMENT NO.		1 OF 01
THIS DRAWING CONTAINS INFORMATION THAT IS PROPRIETARY TO MOLEX INCORPORATED AND SHOULD NOT BE USED WITHOUT WRITTEN PERMISSION		