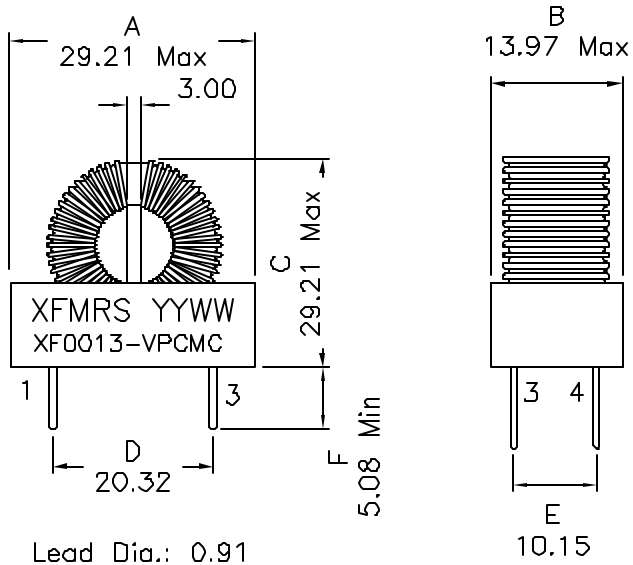
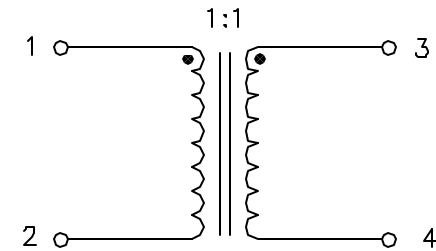


## 1. Mechanical Dimensions:



## 2. Schematic:



## 3. Electrical Specifications:

Inductance: 1.0mH Min @1KHz 0.1V, Each Wdg  
 DCR: 0.020 Ohms Max, Each Wdg  
 Rated RMS Current: 6.0 Amps  
 LL: 12μH Min @130KHz  
 Isolation Voltage: 1250VAC, Wdg. to Wdg.

### Notes:

1. Solderability: Leads shall meet MIL-STD-202, Method 208D for solderability.
2. Flammability: UL94V-0
3. ASTM oxygen index: > 28%
4. Insulation System: Class F 155°C. UL file E151556
5. Operating Temperature Range: All listed parameters are to be within tolerance from -40°C to +85°C
6. Storage Temperature Range: -55°C to +125°C
7. Aqueous wash compatible

DOC REV: A/1

**PROPRIETARY** Document is the property of XFMRS Group & is not allowed to be duplicated without authorization.

<b>XFMRS Inc.</b>	Title: COMMON MODE EMI SUPPRESSION INDUCTOR		
	UNLESS OTHERWISE SPECIFIED TOLERANCES: .xx ±0.25 Dimensions in MM	P/N: XF0013-VPCMC	REV. A
SHEET 1 OF 1	DWN.	Kang Chen	Jun-16-04
	CHK.	YK Liao	Jun-16-04
	APP.	J Ng	Jun-16-04