

PLEASE CHECK WWW.MOLEX.COM FOR LATEST PART INFORMATION

Part Number: [0309681100](#)
Status: **Active**
Overview: hdac 64 dualrow high density automotive connectors
Description: 2.54mm (.100") Pitch, 0.64mm (.025") Width H-DAC 64™ High Density Automotive Crimp Housing, Dual Row, 10 Circuits, Polarization Option #1, Gray

Documents:

[Application Specification \(PDF\)](#) [Product Specification PS-30968-0001 \(PDF\)](#)
[Drawing \(PDF\)](#) [RoHS Certificate of Compliance \(PDF\)](#)

General

Product Family	Crimp Housings
Series	30968
Comments	Polarization Option #1
Overview	hdac 64 dualrow high density automotive connectors
Product Name	H-DAC 64™

Physical

Circuits (maximum)	10
Circuits Detail	10
Color - Resin	Gray
Gender	Male
Glow-Wire Compliant	No
Keying to Mating Part	None
Lock to Mating Part	Yes
Material - Resin	Modified Polystyrene
Number of Rows	2
Packaging Type	Bag
Panel Mount	No
Pitch - Mating Interface (in)	0.100 In
Pitch - Mating Interface (mm)	2.54 mm
Polarized to Mating Part	Yes
Stackable	No
Temperature Range - Operating	-40°C to +105°C

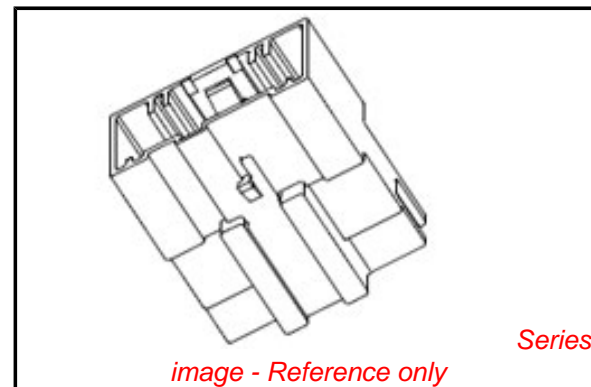
Electrical

Current - Maximum per Contact	7A
-------------------------------	----

Material Info

Reference - Drawing Numbers

Packaging Specification	PK-30907-760
Product Specification	PS-30968-0001
Sales Drawing	SD-30968-120



EU RoHS

**ELV and RoHS
Compliant**
**REACH SVHC
Contains SVHC: No**
Halogen-Free
**Status
Not Reviewed**

China RoHS



**Need more information on product
environmental compliance?**

Email productcompliance@molex.com
For a multiple part number RoHS Certificate of Compliance, [click here](#)

Please visit the [Contact Us](#) section for any non-product compliance questions.

Search Parts in this Series

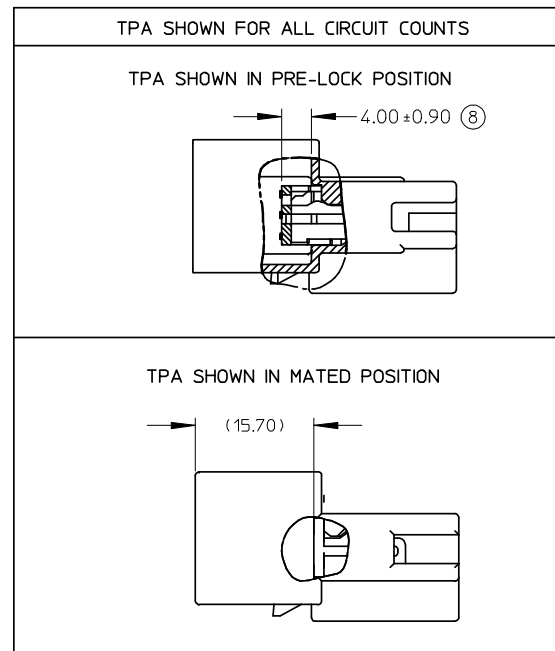
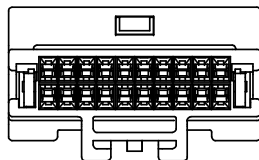
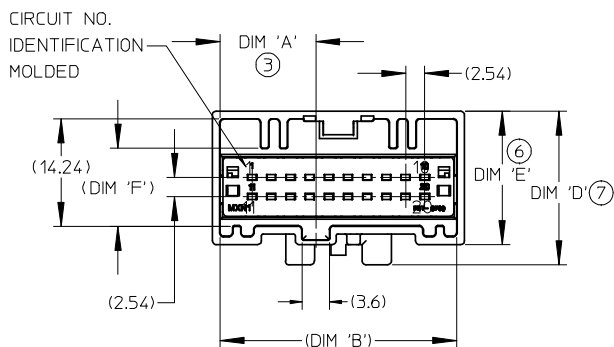
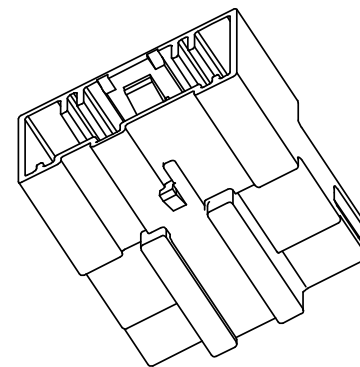
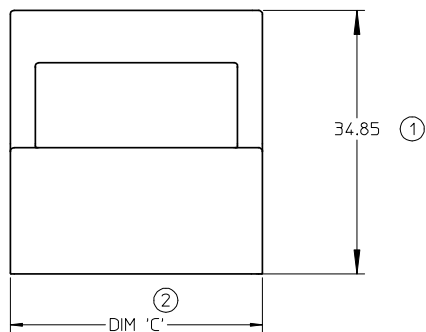
[30968Series](#)

Mates With

[30700-1***](#)|[31389-1***](#)

Use With

[34230](#) Terminal



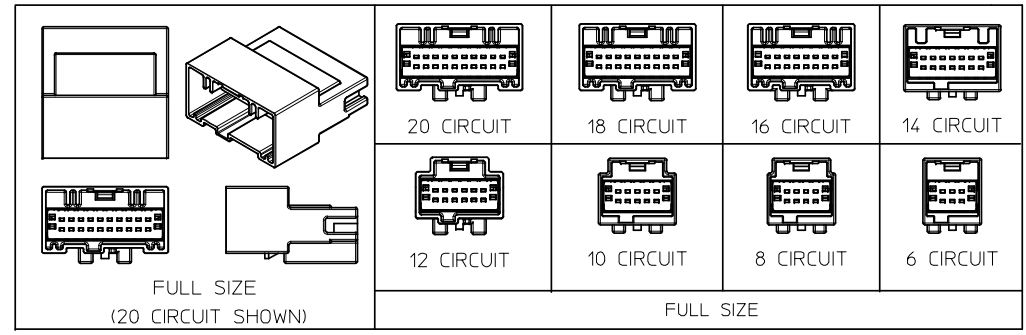
**20 CIRCUIT MALE INLINE
HARNESS ASSEMBLY SHOWN.**

NOTES:

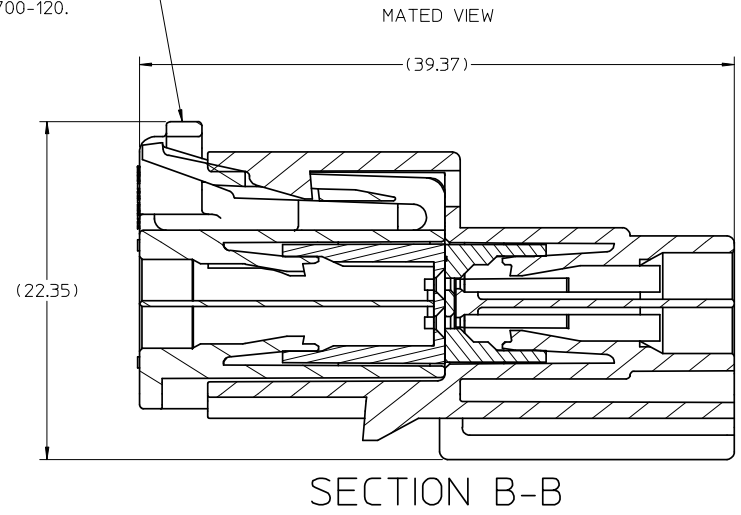
1. MATERIAL: HOUSING: SPS GLASS FILLED, COLOR SEE CHART. TPA: PBT.
2. PACKAGING SPECIFICATION: DRAWING PK-30907-760
3. PACKAGING: REFERENCE MOLEX SPECIFICATION PS-34646-001. AVAILABLE AT WWW.MOLEX.COM (REFERENCE: TPA'S THAT ARE FOUND IN SEATED (FINAL LOCK) POSITION.)
4. MATES WITH: SEE SALES DRAWING SD-30700-120
5. CONNECTOR IS DESIGNED FOR USE WITH TYCO TERMINAL PART NUMBERS: 1419158-6(22-24 AWG) AND 1419158-5 (18-20 AWG).

EC NO: UAU2007-0766 DRWN:BDICK01 2008/01/23 CHKD: 2008/01/23 APPR: SMARCEAL2008/01/24	QUALITY SYMBOLS ▽ = 0 ▽ = 0	GENERAL TOLERANCES (UNLESS SPECIFIED)		SCALE 2:1	DESIGN UNITS METRIC	THIRD ANGLE PROJECTION	REVISE ON CAD ONLY		
		4 PLACES ± --- ± ---	3 PLACES ± --- ± ---	DIMENSION STYLE MM ONLY		TITLE SLEEVE ASSEMBLY WIRE CONNECTOR MALE			
		2 PLACES ± 0.13 ± ---	1 PLACE ± 0.25 ± ---	ANGULAR ± 1/2°		DRAWN BY JKSIK DATE 99/09/03	MOLEX INCORPORATED		
		DRAFT WHERE APPLICABLE MUST REMAIN WITHIN DIMENSIONS		APPROVED BY BWILSON DATE 99/10/28	MATERIAL NO. SEE CHART	DOCUMENT NO. SD-30968-120	SHEET NO. 1 OF 2		

THIS DRAWING CONTAINS INFORMATION THAT IS PROPRIETARY TO MOLEX INCORPORATED AND SHOULD NOT BE USED WITHOUT WRITTEN PERMISSION



HARNESS ASSEMBLY
SEE SALES DRAWING
SD-30700-120.



PACKAGING	POLARIZATION OPTIONS & CIRCUIT SIZE			PRODUCT DIMENSIONS					
	ASSEMBLY P/N BULK PACKED	MALE INLINE HARNESS ASSEMBLY (POLARIZATION OPTIONS)	CIRCUIT SIZE	'A'	'B'	'C'	'D'	'E'	'F'
30968-1060	POLARIZATION OPTION #1	6	3.76	13.51	15.61	19.78	17.58	10.37	GRAY
30968-1061	POLARIZATION OPTION #2	6	6.76	13.51	15.61	19.78	17.58	10.37	BLACK
30968-1062	POLARIZATION OPTION #3	6	9.76	13.51	15.61	19.78	17.58	10.37	NATURAL (CREAM)
30968-1080	POLARIZATION OPTION #1	8	5.03	16.05	18.05	19.78	17.58	10.38	GRAY
30968-1081	POLARIZATION OPTION #2	8	8.03	16.05	18.05	19.78	17.58	10.38	BLACK
30968-1082	POLARIZATION OPTION #3	8	11.03	16.05	18.05	19.78	17.58	10.38	NATURAL (CREAM)
30968-1100	POLARIZATION OPTION #1	10	6.30	18.59	20.69	19.78	17.58	10.37	GRAY
30968-1101	POLARIZATION OPTION #2	10	9.30	18.59	20.69	19.78	17.58	10.37	BLACK
30968-1102	POLARIZATION OPTION #3	10	12.30	18.59	20.69	19.78	17.58	10.37	NATURAL (CREAM)
30968-1123	POLARIZATION OPTION #1 W/ CHRISTMAS TREE ATTACHMENT	12	7.57	20.98	23.23	20.34	17.64	10.34	GRAY
30968-1127	POLARIZATION OPTION #1	12	7.57	21.28	23.23	20.34	17.64	10.34	GRAY
30968-1126	POLARIZATION OPTION #2 W/ CHRISTMAS TREE ATTACHMENT	12	10.57	20.98	23.23	20.34	17.64	10.34	BLACK
30968-1128	POLARIZATION OPTION #2	12	10.57	21.28	23.23	20.34	17.64	10.34	BLACK
30968-1129	POLARIZATION OPTION #3	12	13.57	21.28	23.23	20.34	17.64	10.34	NATURAL (CREAM)
30968-1140	POLARIZATION OPTION #1	14	8.84	23.67	25.77	19.78	17.58	10.37	GRAY
30968-1141	POLARIZATION OPTION #2	14	11.84	23.67	25.77	19.78	17.58	10.37	BLACK
30968-1142	POLARIZATION OPTION #3	14	14.84	23.67	25.77	19.78	17.58	10.37	NATURAL (CREAM)
30968-1167	POLARIZATION OPTION #1	16	10.11	26.36	28.31	20.34	17.64	10.34	GRAY
30968-1164	POLARIZATION OPTION #1 W/ CHRISTMAS TREE ATTACHMENT	16	10.11	26.06	28.31	20.34	17.64	10.34	GRAY
30968-1168	POLARIZATION OPTION #2	16	13.11	26.36	28.31	20.34	17.64	10.34	BLACK
30968-1169	POLARIZATION OPTION #3	16	16.11	26.36	28.31	20.34	17.64	10.34	NATURAL (CREAM)
30968-1187	POLARIZATION OPTION #1	18	11.38	28.90	30.85	20.34	17.64	10.34	GRAY
30968-1188	POLARIZATION OPTION #2	18	14.38	28.90	30.85	20.34	17.64	10.34	BLACK
30968-1189	POLARIZATION OPTION #3	18	17.38	28.90	30.85	20.34	17.64	10.34	NATURAL (CREAM)
30968-1207	POLARIZATION OPTION #1	20	12.65	31.44	33.39	20.34	17.64	10.34	GRAY
30968-1208	POLARIZATION OPTION #2	20	15.65	31.44	33.39	20.34	17.64	10.34	BLACK
30968-1209	POLARIZATION OPTION #3	20	18.65	31.44	33.39	20.34	17.64	10.34	NATURAL (CREAM)

SEE ECN# UAU2001-0258 EC NO: UAU2007-0766 DRWN:BDICK01 2008/01/23 CHKD: 2008/01/23 APPR: SMARCEAL2008/01/24	QUALITY SYMBOLS	GENERAL TOLERANCES (UNLESS SPECIFIED)	SCALE	DESIGN UNITS	THIRD ANGLE PROJECTION	REVISE ON CAD ONLY	
	▽ 0 ∇ 0	mm INCH 4 PLACES ± --- ± --- 3 PLACES ± --- ± --- 2 PLACES ± 0.13 ± --- 1 PLACE ± 0.25 ± --- ANGULAR ± 1/2°	DIMENSION STYLE		TITLE		
			MM ONLY		SLEEVE ASSEMBLY WIRE CONNECTOR MALE		
	DRAFT WHERE APPLICABLE MUST REMAIN WITHIN DIMENSIONS	DRAWN BY		DATE		MOLEX MOLEX INCORPORATED SEE CHART SD-30968-120	
		JKSIK		99/09/03			
CHECKED BY		DATE		SHEET NO.			
LGEIB		99/10/28		2 OF 2			
APPROVED BY		DATE		MATERIAL NO.		DOCUMENT NO.	
BWILSON		99/10/28		SEE CHART		SD-30968-120	
THIS DRAWING CONTAINS INFORMATION THAT IS PROPRIETARY TO MOLEX INCORPORATED AND SHOULD NOT BE USED WITHOUT WRITTEN PERMISSION							