

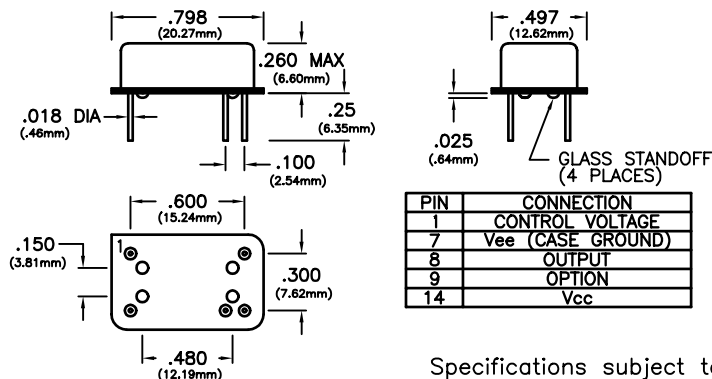


CONNOR-WINFIELD CORPORATION

AURORA, IL. 60505
 PHONE (630) 851-4722
 FAX (630) 851-5040

14 PIN DIP PLL PECL VCXO

SPECIFICATIONS	GV23-55*
Frequency	155.52MHz
Operating Temp Range	0°C to +70°C
Storage Temp Range	-55°C to +125°C
Frequency Stability	
Vs Calibration @ 25°C, 2.5V pin 1 (Reference to 155.52 MHz)	±15ppm
Vs Operating temp range, 2.5V pin 1 (Reference to frequency @ 25°C, 2.5V pin 1)	±10ppm
Output	
Waveform	PECL Squarewave , 100K Compatible
Voltage $\frac{V_{oh}}{V_{ol}}$	4.0V Minimum , 4.5V Maximum 2.9V Minimum , 3.4V Maximum
Symmetry	45/55 Maximum measured at 50% level
Rise/Fall Time	750pS Maximum
Jitter	10pS rms Maximum
	Output must be terminated into 50 Ohms to +3Vdc
Frequency Control	Positive Transfer Characteristic
Control Voltage	0 to 5V
Deviation @25°C	±75ppm Minimum , ±140ppm Maximum
Center Frequency	2.5Vdc ±0.5Vdc
Linearity	< ±10%
Input Impedance	> 50K Ohms @ < 10 KHz
Supply Voltage	+5Vdc ±10%
Supply Current	100mA Maximum
Package	All metal, hermetically sealed, welded package
Options *	
(add letter to end of model number)	1 Pin 9: Complementary Output
	2 Pin 9: Enable/Disable Enable: Low Level (Vil) , Disable: High Level (Vih) NOTE: When oscillator is disabled the output is in a low state (Vol)



Specifications subject to change without notice

BULLETIN #: GA021
 PAGE 1 OF 2

REV: 00
 DATE: 1/16/98

ISSUED BY: _____

Dimensional Tolerance: ±.02"
 ±.005"



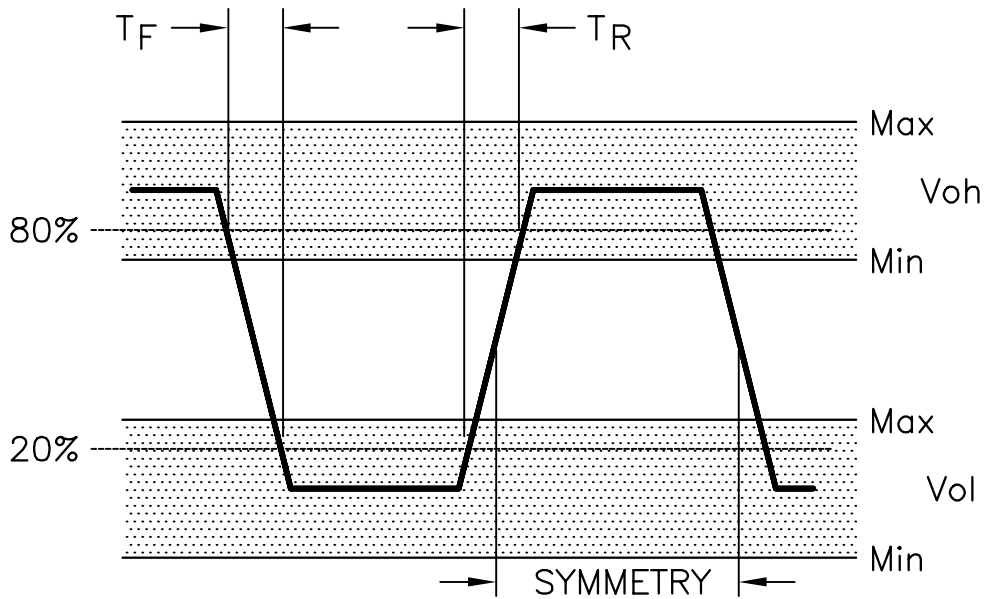
CONNOR-WINFIELD CORPORATION

AURORA, IL. 60505

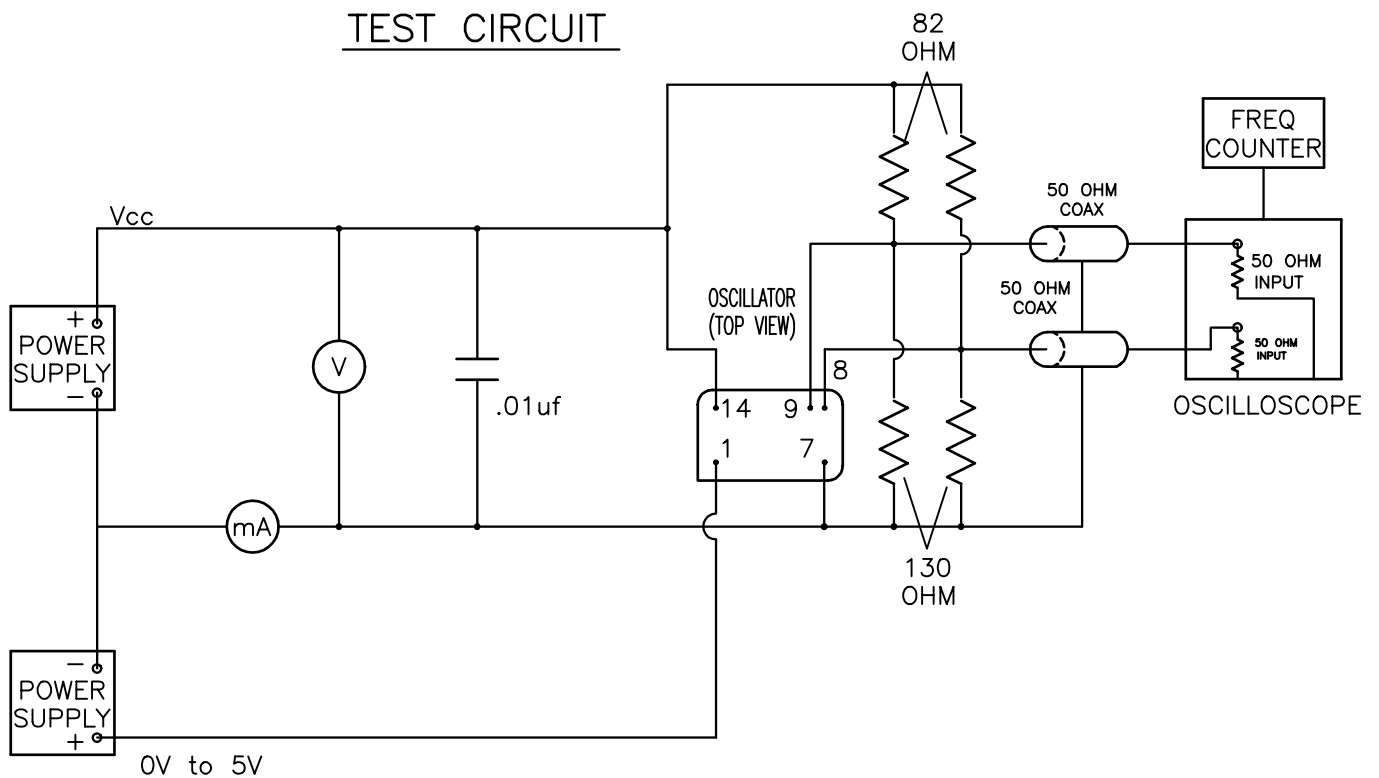
PHONE (630) 851-4722

FAX (630) 851-5040

OUTPUT WAVEFORM



TEST CIRCUIT



Specifications subject to change without notice