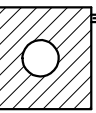
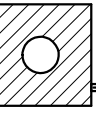


FERROXCUBE

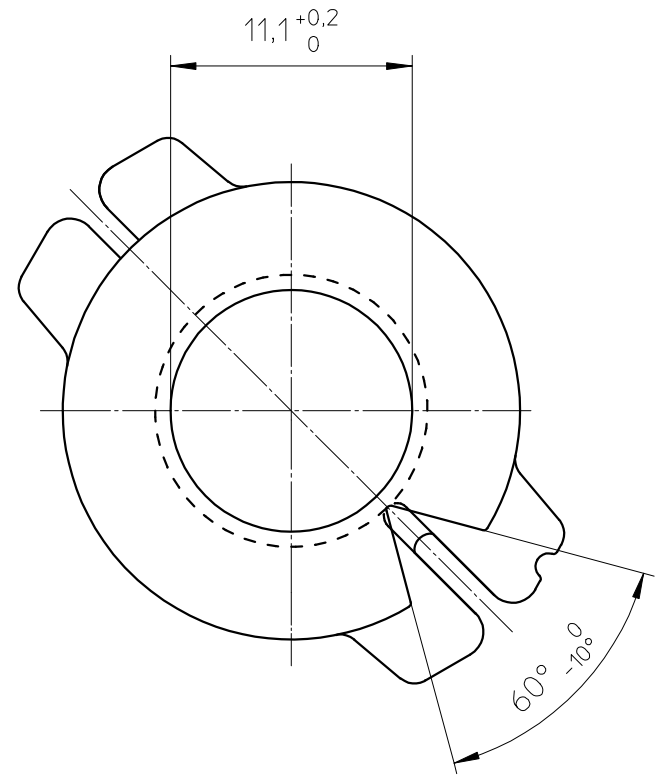
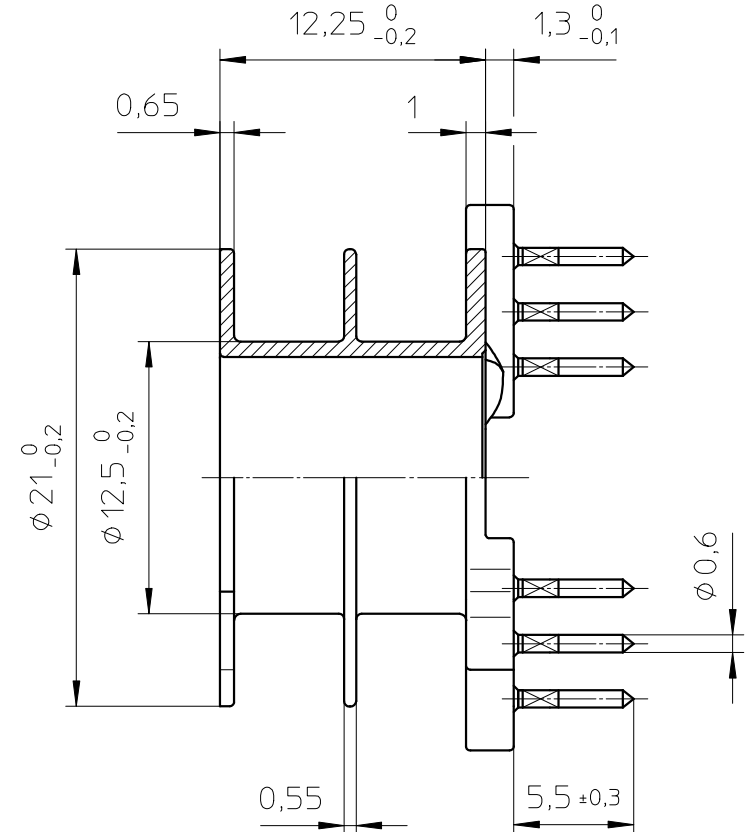
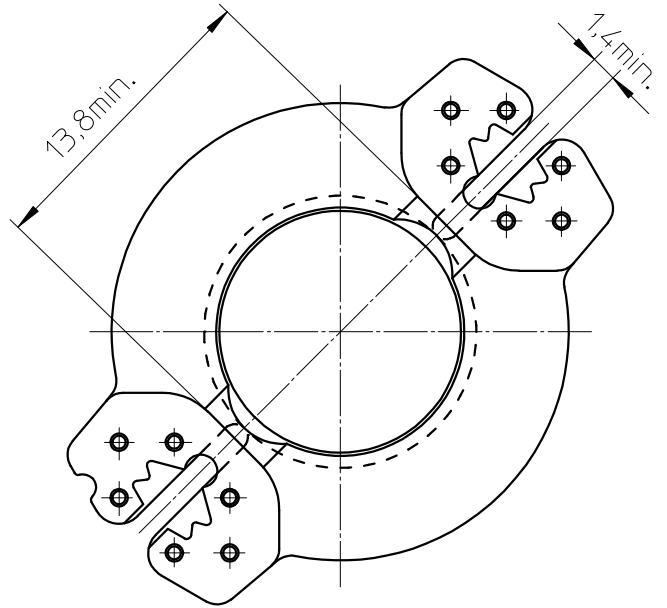


N.V. Philips Gloeilampenfabrieken 19...
 All rights reserved. No part may be reproduced or transmitted in any form or by any means, electronic or mechanical, including photocopying, recording, or by any information storage and retrieval system, without the written consent of the copyright owner.

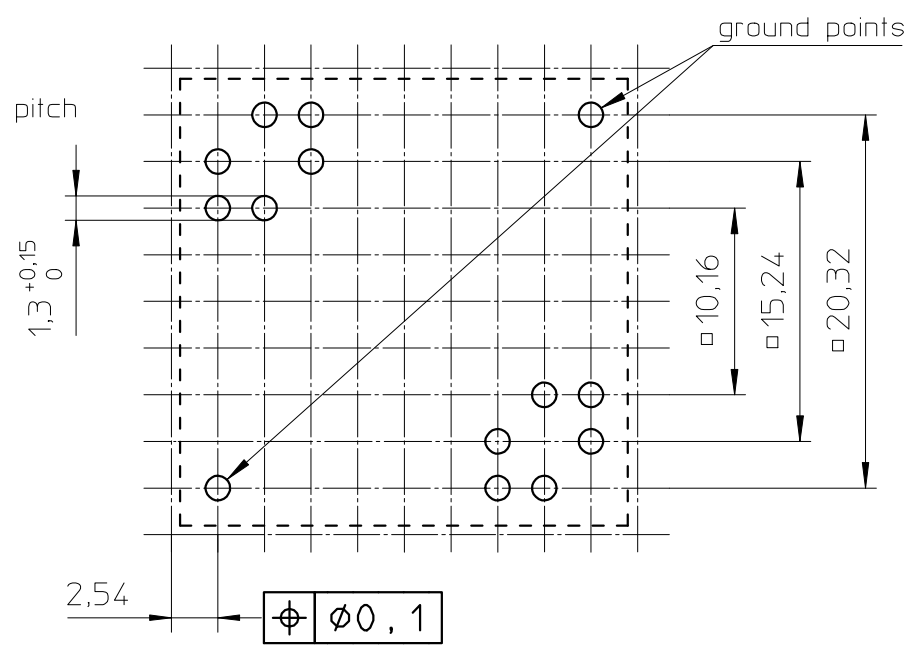
N.V. Philips Gloeilampenfabrieken 19...
 Alle rechten voorbehouden. Het verspreiden, kopiëren of openbaar maken van dit document of de inhoud daarvan is niet toegestaan zonder schriftelijke toestemming van de auteursrechtbehebbers.



1 2 3 4 5 6 7 8



HOLE PATTERN:
 Space requirement 10x10 pitch



Coil former material: Vyncolit X611 (PF), glass-reinforced
 UL file number: E167521 - UL94V-0.
 Pin material: CuSn - Ni flash, Sn plated.
 Max. operating temp.: acc. to IEC 60 085 class H, 180°C
 Resistance to soldering heat: acc. to IEC 60 068-2-20 Part 2, Test Tb, method 1B 350°C-3.5sec.
 Solderability: acc. to IEC 60 068-2-20 Part 2, Test Ta, method 1, 235°C-2sec.
 Winding area: 42,7 mm.²
 Mean length of turn: 52,3mm.

CLASS.NO.	CSV-RM10-2S-12P-V		4322 021 03971	02-01-15	05-09-01
NAME NAAM	M.Veekens	SUPERS. VERV.	1	SH BL.	112 - 001
MPA	CHECK CONTR.	DAT.	02-01-15	Property of Eigendom van	© FERROXCUBE 2000
				010	A3

1 2 3 4