

PLEASE CHECK WWW.MOLEX.COM FOR LATEST PART INFORMATION

Part Number: [0522071360](#)
Status: **Active**
Overview:
Description: 1.00mm (.039") Pitch FFC/FPC Connector, SMT, Right Angle, ZIF, Top Contact Style Receptacle, 13 Circuits, Lead-free, Gold Contact Plating, High Barrier Packaging

Agency Certification

CSA LR19980
 UL E29179

General

Product Family FFC/FPC Connectors
 Series 52207
 Overview ffc_fpc_smt
 Product Name N/A

Physical

Circuits (Loaded) 13
 Color - Resin Natural
 Contact Position Top
 Durability (mating cycles max) 30
 Entry Angle 90° Angle
 Flammability 94V-0
 Mated Height (in) 0.106 In
 Mated Height (mm) 2.70 mm
 Material - Metal Phosphor Bronze
 Material - Plating Mating Gold
 Material - Plating Termination Tin
 Material - Resin Nylon
 Number of Rows 1
 Orientation Right Angle
 PC Tail Length (in) 0.079 In
 PC Tail Length (mm) 2.00 mm
 PCB Locator No
 PCB Retention Yes
 Packaging Type Embossed Tape on Reel
 Pitch - Mating Interface (in) 0.039 In
 Pitch - Mating Interface (mm) 1.00 mm
 Polarized to PCB Yes
 Stackable No
 Temperature Range - Operating -30°C to +85°C
 Termination Interface: Style Surface Mount
 Wire/Cable Type FFC/FPC

Electrical

Current - Maximum per Contact 1A
 Voltage - Maximum 125V

Material Info

Reference - Drawing Numbers

Packaging Specification SPK-52207-001, SPK-52207-002
 Product Specification PS-52207-048, RPS-52207-068, RPS-52207-070, RPS-52207-073, RPS-52207-075, RPS-52207-078, RPS-52207-084, RPS-52207-090, RPS-52207-092, RPS-52207-094, RPS-52207-099, RPS-52207-101, RPS-52207-106

EU RoHS

ELV and RoHS Compliant
REACH SVHC Contains SVHC: No
Halogen-Free Status
Not Halogen-Free

China RoHS



Need more information on product environmental compliance?

Email productcompliance@molex.com
 For a multiple part number RoHS Certificate of Compliance, [click here](#)

Please visit the [Contact Us](#) section for any non-product compliance questions.

Search Parts in this Series

[52207Series](#)

This document was generated on 06/04/2010

PLEASE CHECK WWW.MOLEX.COM FOR LATEST PART INFORMATION

注記 NOTES

△ 接点部までの嵌合長さ。
MATING LENGTH TO CONTACT POINT.

2. 使用材料 MATERIAL
ハウジング : 46ナイロン (耐熱性), UL94V-0
ハウジング : HEAT-RESISTANT NYLON46, UL94V-0
アクチュエータ : PPS, UL94V-0
アクチュエータ : PPS, UL94V-0
ターミナル : リン青銅 (t=0.32)
ターミナル : LIN BRONZE (t=0.32)

メッキ
コンタクト部 : 金メッキ 0.1マイクロメートル以上
テール部 : 錫メッキ 1.0マイクロメートル以上
下地メッキ : ニッケル 1.0マイクロメートル以上

TERMINAL : PHOS-BRO.(I=0.32)
PLATED
CONTACT AREA : GOLD PLATED 0.1MICROMETER MIN.
TAIL AREA : TIN PLATED 1.0MICROMETER MIN.
OVER PLATED : NICKEL PLATED 1.0MICROMETER MIN.

金具 : 銅合金 (t=0.25)
メッキ : 錫メッキ 1マイクロメートル以上
下地メッキ : ニッケル 1マイクロメートル以上

FITTING NAIL : PHOS-BRO.(I=0.25)
PLATED : TIN PLATED 1MICROMETER MIN.
OVER PLATED : NICKEL PLATED 1MICROMETER MIN.

△ パターンはくり止め用金具
FITTING NAIL FOR PREVENTION OF FOOT PRINT PEELING.

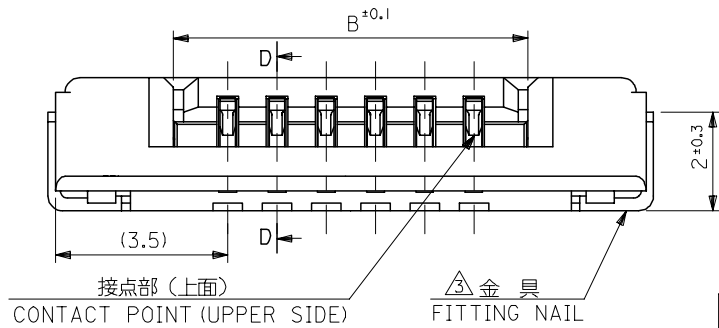
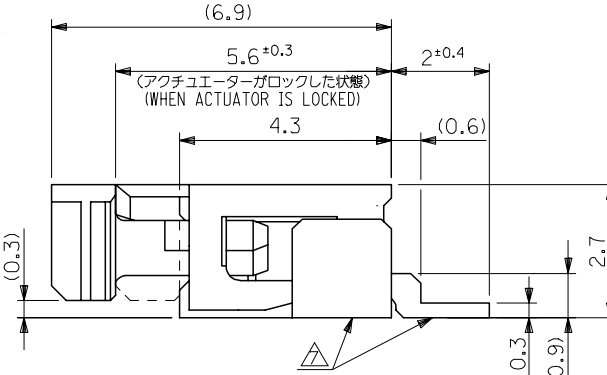
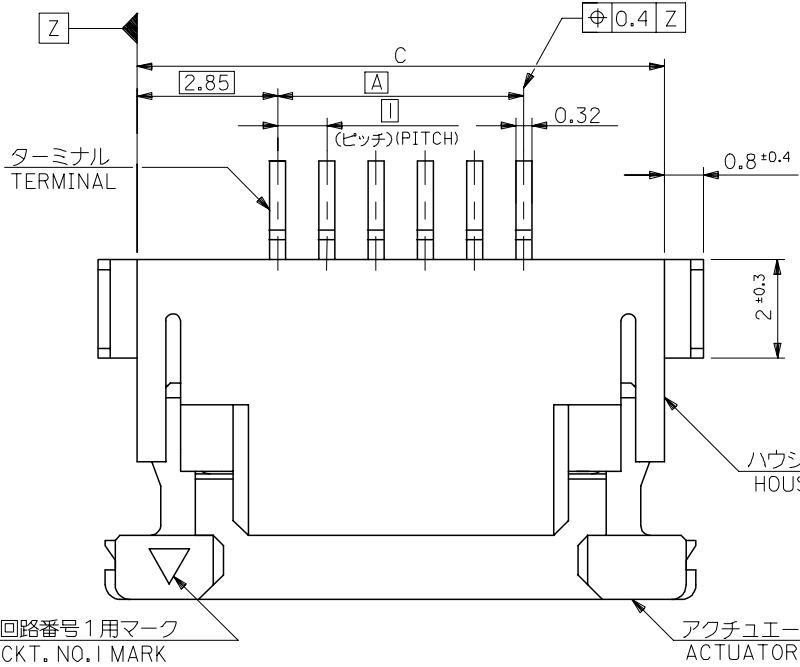
4. エンボステープ梱包時は、アクチュエータが
ロックした状態とする。
ACTUATOR TO BE LOCKED IN EMBOSSED TAPE PACKAGE.

△ F.P.C挿入深さ
INSERTION DEPTH OF FPC.

△ パターン書き込み禁止エリア。
NO FOOT PRINT AREA.

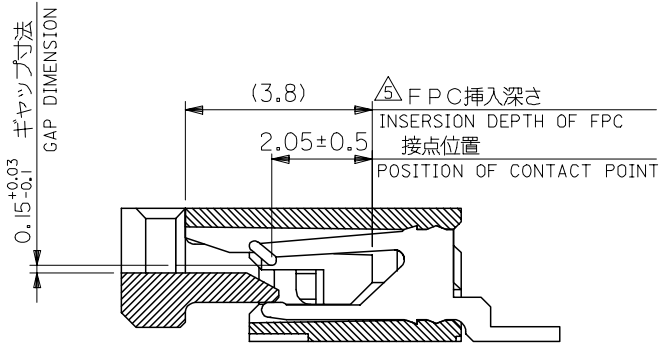
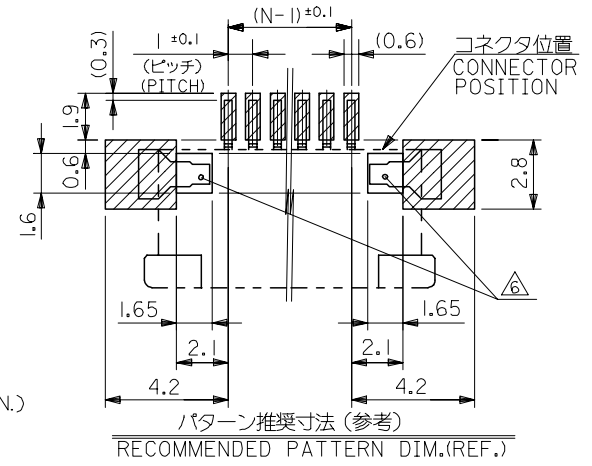
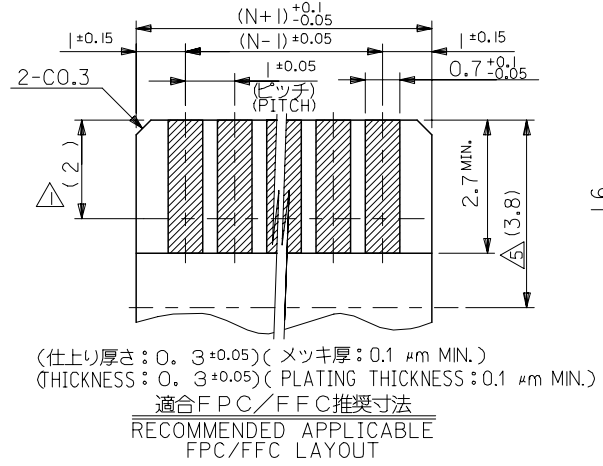
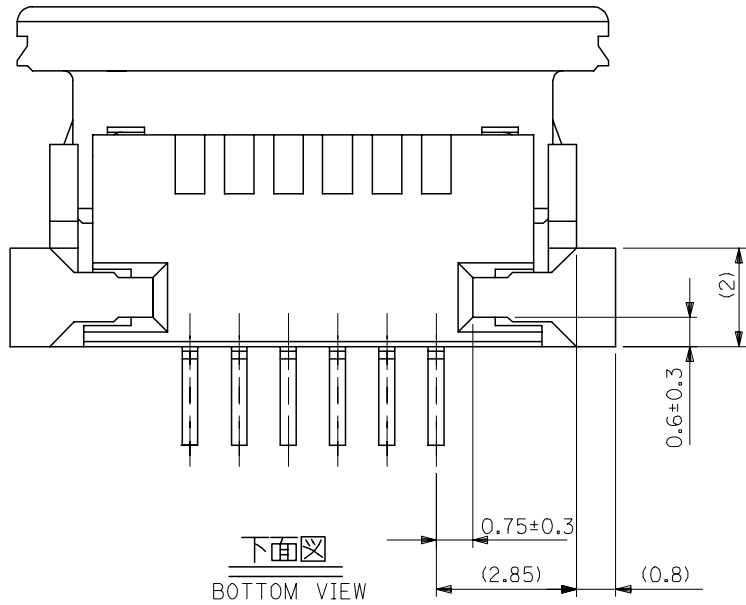
△ テール及び金具の平坦度は、0.15以下とする。
COPLANARITY OUT OF SPECIFICATION.
TAIL : 0.15 MAX.
NAIL : 0.15 MAX.

8. 本製品は 52207-xx*19 の鉛フリー品である。
THIS PRODUCT IS GOLD PLATING OF 52207-xx*19.



34.7	31.2	29	52207-3067	30
33.7	30.2	28	52207-2967	29
32.7	29.2	27	52207-2867	28
31.7	28.2	26	52207-2767	27
30.7	27.2	25	52207-2667	26
29.7	26.2	24	52207-2567	25
28.7	25.2	23	52207-2467	24
27.7	24.2	22	52207-2367	23
26.7	23.2	21	52207-2267	22
25.7	22.2	20	52207-2167	21
24.7	21.2	19	52207-2067	20
23.7	20.2	18	52207-1967	19
22.7	19.2	17	52207-1867	18
21.7	18.2	16	52207-1767	17
20.7	17.2	15	52207-1667	16
19.7	16.2	14	52207-1567	15
18.7	15.2	13	52207-1467	14
17.7	14.2	12	52207-1367	13
16.7	13.2	11	52207-1267	12
15.7	12.2	10	52207-1167	11
14.7	11.2	9	52207-1067	10
13.7	10.2	8	52207-0967	9
12.7	9.2	7	52207-0867	8
11.7	8.2	6	52207-0767	7
10.7	7.2	5	52207-0667	6
9.7	6.2	4	52207-0567	5
8.7	5.2	3	52207-0467	4
7.7	4.2	2	52207-0367	3
C	B	A	MATERIAL NO.	板数
			MODEL NO. 52207-xx*67	CIRCUITS

REVISED EC NO: J2007-0873 DRWN: YOTANI 2006/09/22 CHKD: Y. MAEDA 2007/03/23 APPR: NUKITA 2007/03/26	GENERAL TOLERANCES (UNLESS SPECIFIED)		DIMENSION STYLE MM ONLY		SCALE 10:1	DESIGN UNITS METRIC	THIRD ANGLE PROJECTION	
	10 UNDER	±0.2	DRAWN BY M. UMEDA	DATE 2005/03/02	TITLE 1.0 FPC CONN. ZIF SMT HSG ASSY -LEAD FREE-			
	10 OVER 30 UNDER	±0.25	CHECKED BY K. TOYODA	DATE 2005/03/02				
	30 OVER	±0.3	APPROVED BY N. UKITA	DATE 2005/03/02	MOLEX INCORPORATED			
ANGULAR	±1 °	MATERIAL NO.	DOCUMENT NO.	SHEET NO.				
DRAFT WHERE APPLICABLE MUST REMAIN WITHIN DIMENSIONS		SIZE A3	SEE CHART		SD-52207-064		1 OF 2	
THIS DRAWING CONTAINS INFORMATION THAT IS PROPRIETARY TO MOLEX INCORPORATED AND SHOULD NOT BE USED WITHOUT WRITTEN PERMISSION								



断面D-D
SECT.D-D

FPCについて:
 打抜き方向は、導体側から補強板側を推奨いたします。
 補強フィルム材質は、ポリイミドを推奨いたします。
 接着剤は、熱硬化接着剤を推奨いたします。

ABOUT FPC:
 RECOMMENDED PUNCHER DIRECTION: FROM CONDUCTOR SIDE TO
 STIFFENER BOARD SIDE.

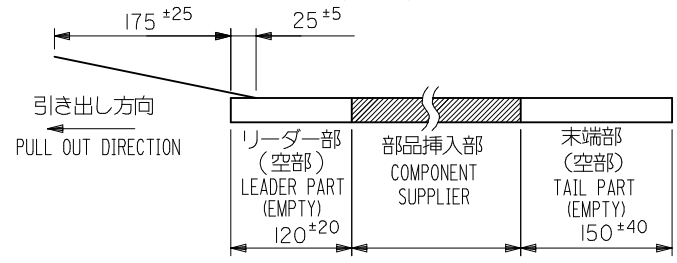
RECOMMENDED MATERIAL:
 STIFFENER FILM: POLYIMIDE
 BONDING AGENT: THERMOSETTING BONDING AGENT

REVISED EC NO: J2007-0873 DRWN: OTANI 2006/09/22 CHKD: Y. MAEDA 2007/03/23 APPR: NUKITA 2007/03/26	GENERAL TOLERANCES (UNLESS SPECIFIED)		DIMENSION STYLE MM ONLY	SCALE 10:1	DESIGN UNITS METRIC	THIRD ANGLE PROJECTION
	10 UNDER	±0.2	DRAWN BY M.UMEDA	DATE 2005/03/02	TITLE 1.0 FPC CONN. ZIF SMT HSG ASSY -LEAD FREE-	
	10 OVER 30 UNDER	±0.25	CHECKED BY K.TOYODA	DATE 2005/03/02	MOLEX INCORPORATED	
	30 OVER	±0.3	APPROVED BY N. UKITA	DATE 2005/03/02		
	ANGULAR	±1 °	MATERIAL NO.	DOCUMENT NO.	SHEET NO.	
DRAFT WHERE APPLICABLE MUST REMAIN WITHIN DIMENSIONS		SIZE A3	SEE SHEET 1	SD-52207-064	2 OF 2	

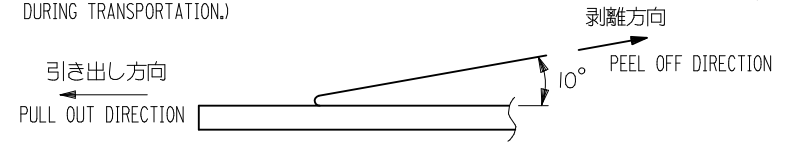
THIS DRAWING CONTAINS INFORMATION THAT IS PROPRIETARY TO MOLEX INCORPORATED AND SHOULD NOT BE USED WITHOUT WRITTEN PERMISSION

注記

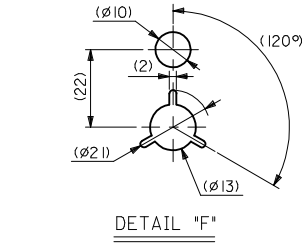
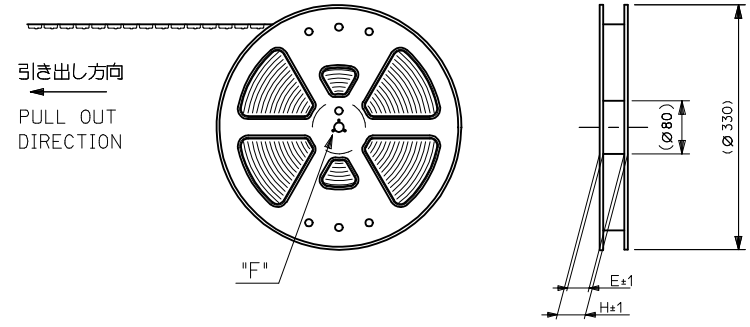
- 製品番号 52207-**67 の梱包状態はアクチュエータがロックした状態とする。
 詳細寸法については図面 SD-52207-064 を参照下さい。
 IN THE PACKAGE, ACTUATOR OF PART NO. 52207-**67 SHOULD BE LOCKED
 RE DETAILED DIMENSIONS, SEE SD-52207-064
- 梱包数量：1000個/リール
 NUMBER OF CONNECTORS: 1000PCS/REEL
- リードテープ長さ(LEAD TAPE LENGTH)
 トップテープ TOP TAPE トップテープ TOP TAPE
 リーダー部 LEADER PART 未接着部 NON-BONDED PART



- トップテープの剥離強度：0.1~1.3N (10gf~130gf) (剥離方向は下図参照)
 尚、本規格値は、出荷時に適用。(但し、輸送時に剥離が発生しない事。)
 PEELING OFF FORCE OF TOP TAPE: 0.1~1.3N (10gf~130gf)
 (PEELING DIRECTION AS SHOWN IN FOLLOWING FIG.)
 THIS REQUIREMENT SHOULD BE APPLIED AT SHIPMENT. (PEEL OFF SHOULD NOT BE ALLOWED, DURING TRANSPORTATION.)

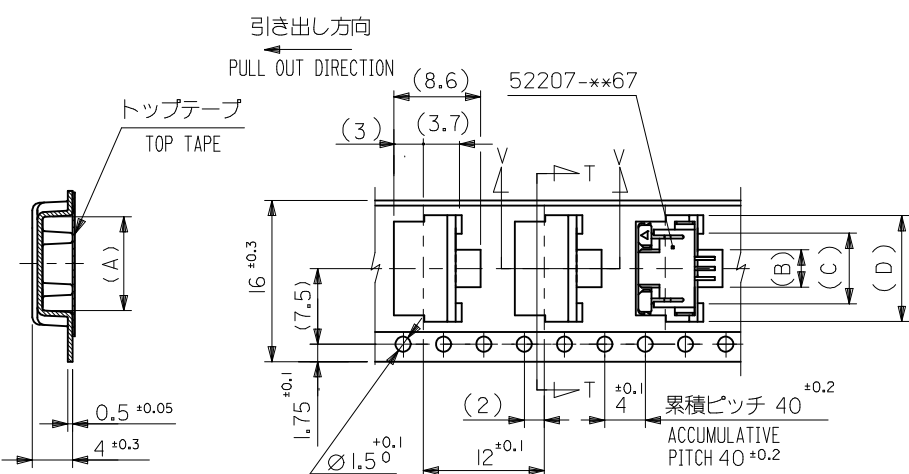


- 材料 (MATERIAL)
 キャリアテープ (CARRIER TAPE): ポリプロピレン (POLYPROPYLENE)
 トップテープ (TOPTAPE): PET, PE, PEF
 リール (REEL): ポリスチレン (PS) <リサイクル材を含む>
 POLYSTYRENE (PS) <RECYCLE MATERIAL CONTAINED>
- 本製品は 52207-**85 の金メッキ品である。
 THIS PRODUCT IS GOLD PLATING OF 52207-**85.
- 本製品は乾燥剤入り、ハイバリア梱包仕様である。
 THIS PRODUCT IS HIGH BARRIER PACKAGE WITH DESICCANT.

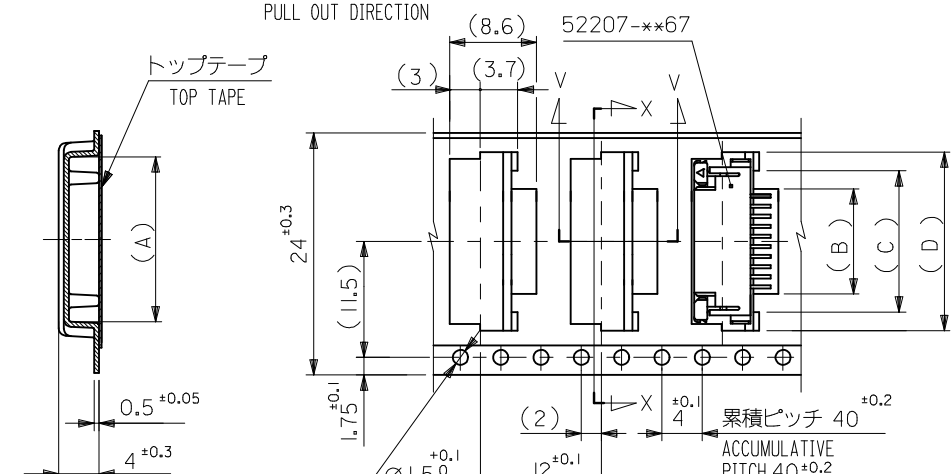


MODEL No.52207-**60

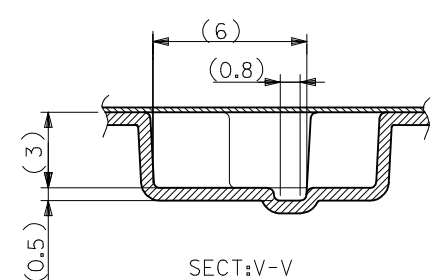
REVISED EC NO: J2009-2061 DRWN:TKON 2009/05/20 CHKD:HATSUMOTO 2009/05/21 APPR:NUKITA 2009/05/21	DESCRIPTION	GENERAL TOLERANCES (UNLESS SPECIFIED)		DIMENSION STYLE MM ONLY		SCALE ---	DESIGN UNITS METRIC	THIRD ANGLE PROJECTION	
		10 UNDER	±0.2	DRAWN BY M.UMEDA	DATE 2005/03/03	TITLE 1.0 FPC CONN. ZIF SMT WITH EMBSTP PKG -LEAD FREE-			
		10 OVER 30 UNDER	±0.25	CHECKED BY K.TOYODA	DATE 2005/03/03	MOLEX INCORPORATED			
		30 OVER	±0.3	APPROVED BY N.UKITA	DATE 2005/03/03	DOCUMENT NO. SD-52207-065		SHEET NO. 1 OF 5	
REV		ANGULAR	±1 °	MATERIAL NO. SEE SHEET 2					
		DRAFT WHERE APPLICABLE MUST REMAIN WITHIN DIMENSIONS		THIS DRAWING CONTAINS INFORMATION THAT IS PROPRIETARY TO MOLEX INCORPORATED AND SHOULD NOT BE USED WITHOUT WRITTEN PERMISSION					



SECT:T-T
16mm 幅 キャリアテープ
16mm WIDTH CARRIER TAPE



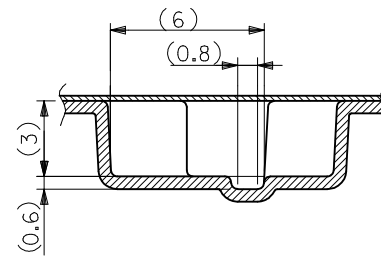
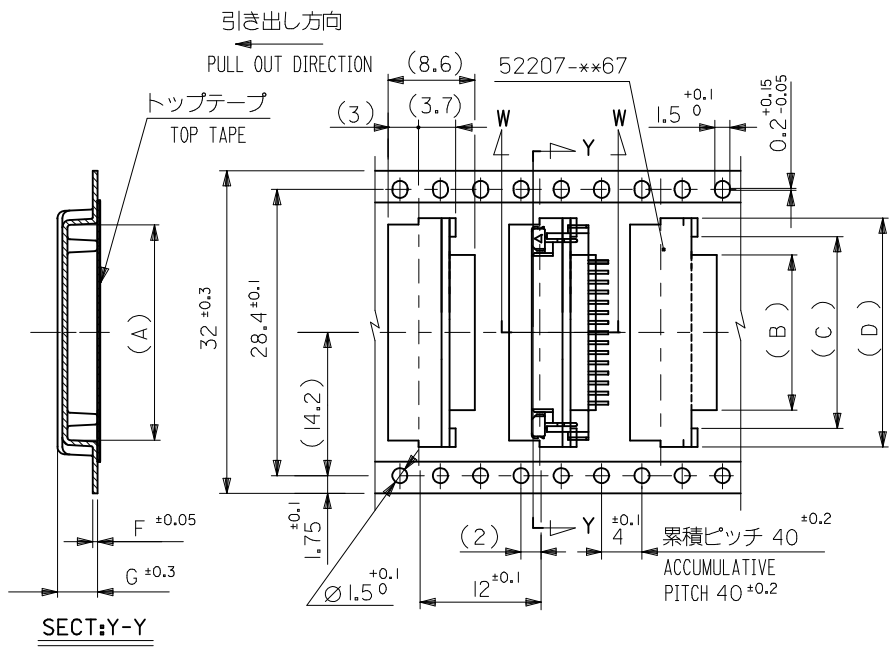
SECT:X-X
24mm 幅 キャリアテープ
24mm WIDTH CARRIER TAPE



SECT:V-V

24	29.4	25.4	18.5	15	11.7	17.3	52207-1160	11
			17.5	14	10.7	16.3	52207-1060	10
			16.5	13	9.7	15.3	52207-0960	9
			15.5	12	8.7	14.3	52207-0860	8
			14.5	11	7.7	13.3	52207-0760	7
			13.5	10	6.7	12.3	52207-0660	6
			12.5	9	5.7	11.3	52207-0560	5
			11.5	8	4.7	10.3	52207-0460	4
16	21.4	17.4	10.5	7	3.7	9.3	52207-0360	3
キャリアテープ幅 CARRIER TAPE WIDTH	H	E	(D)	(C)	(B)	(A)	MATERIAL NO. MODEL NO. 52207-**-60	極数 CKT.

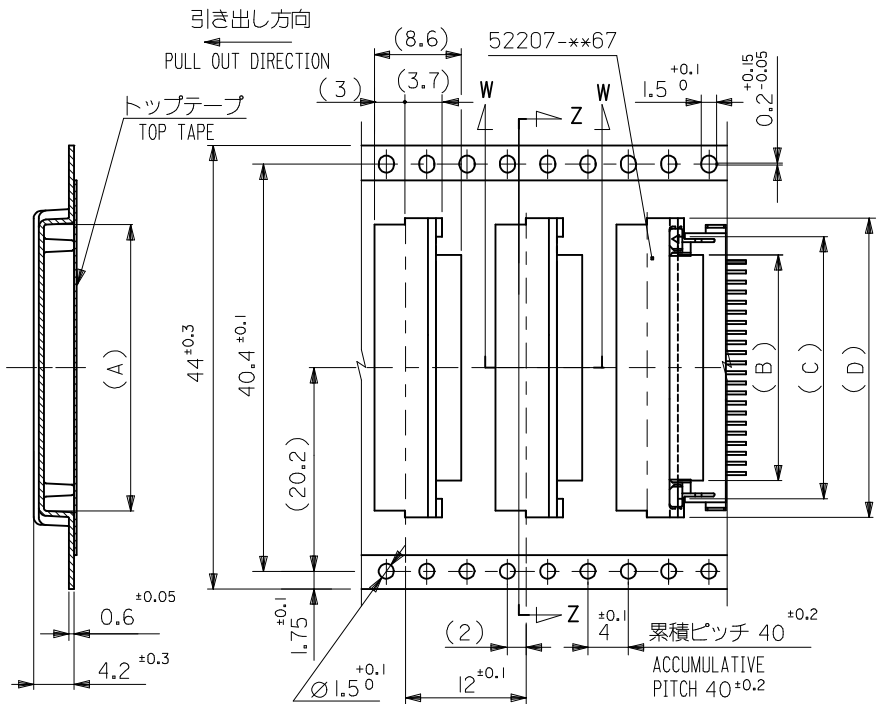
REVISED EC NO.: J2009-2061 DRWN:TKON 2009/05/20 CHKD:HMATSUMOTO 2009/05/21 APPR:NUKITA 2009/05/21	GENERAL TOLERANCES (UNLESS SPECIFIED)		DIMENSION STYLE MM ONLY		SCALE ---	DESIGN UNITS METRIC	THIRD ANGLE PROJECTION	
	10 UNDER	±0.2	DRAWN BY M.UMEDA	DATE 2005/03/03	TITLE 1.0 FPC CONN. ZIF SMT WITH EMBSTP PKG -LEAD FREE-			
	10 OVER 30 UNDER	±0.25	CHECKED BY K.TOYODA	DATE 2005/03/03	MOLEX INCORPORATED			
	30 OVER	±0.3	APPROVED BY N.UKITA	DATE 2005/03/03	DOCUMENT NO. SD-52207-065			
	ANGULAR ±1 °		MATERIAL NO. SEE TABLE		SHEET NO. 2 OF 5			
DRAFT WHERE APPLICABLE MUST REMAIN WITHIN DIMENSIONS		THIS DRAWING CONTAINS INFORMATION THAT IS PROPRIETARY TO MOLEX INCORPORATED AND SHOULD NOT BE USED WITHOUT WRITTEN PERMISSION						



32mm 幅 キャリアテープ
32mm WIDTH CARRIER TAPE

32	37.4	33.4	4.0	0.5	23.5	20	16.7	22.35	52207-1660	16
			4.2	0.6	22.5	19	15.7	21.35	52207-1560	15
			4.2	0.6	21.5	18	14.7	20.35	52207-1460	14
			4.2	0.6	20.5	17	13.7	19.35	52207-1360	13
			4.2	0.6	19.5	16	12.7	18.35	52207-1260	12
キャリアテープ幅 CARRIER TAPE WIDTH	H	E	(G)	(F)	(D)	(C)	(B)	(A)	MATERIAL NO.	種数 CKT.
									MODEL NO. 52207-***60	

REVISED EC NO.: J2009-2061 DRWN:TKON CHKD:HMATSUMOTO APPR:NUKITA	2009/05/20	2009/05/21	2009/05/21	DESCRIPTION REV	GENERAL TOLERANCES (UNLESS SPECIFIED)		DIMENSION STYLE MM ONLY		SCALE ---	DESIGN UNITS METRIC	THIRD ANGLE PROJECTION	
	10 UNDER	±0.2	DRAWN BY M.UMEDA		DATE 2005/03/03	TITLE 1.0 FPC CONN ZIF SMT WITH EMBSTP PKG -LEAD FREE-						
	10 OVER 30 UNDER	±0.25	CHECKED BY K.TOYODA		DATE 2005/03/03	MOLEX INCORPORATED						
	30 OVER	±0.3	APPROVED BY N.UKITA		DATE 2005/03/03	MATERIAL NO. SEE TABLE		DOCUMENT NO. SD-52207-065		SHEET NO. 3 OF 5		
	ANGULAR ±1 °		DRAFT WHERE APPLICABLE MUST REMAIN WITHIN DIMENSIONS		THIS DRAWING CONTAINS INFORMATION THAT IS PROPRIETARY TO MOLEX INCORPORATED AND SHOULD NOT BE USED WITHOUT WRITTEN PERMISSION							

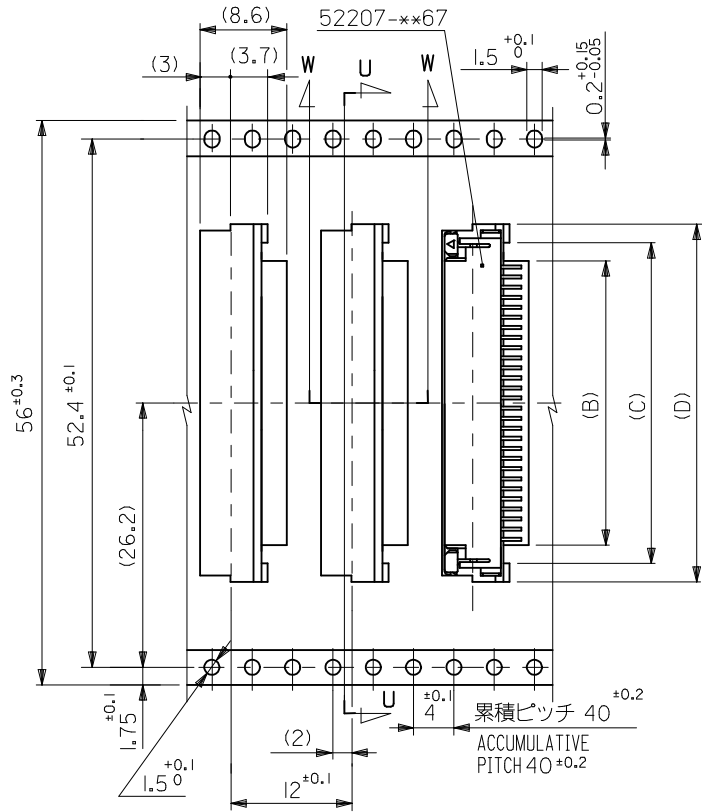
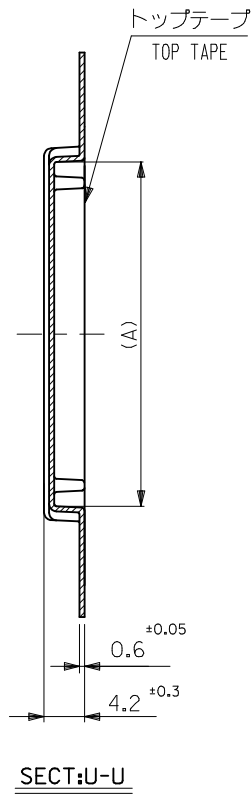


SECT:Z-Z

44mm 幅 キャリアテープ
44mm WIDTH CARRIER TAPE

44	49.4	45.4	---	---	34.5	30	27.7	33.35	52207-2760	27
			---	---	33.5	30	26.7	32.35	52207-2660	26
			---	---	32.5	29	25.7	31.35	52207-2560	25
			---	---	31.5	28	24.7	30.35	52207-2460	24
			---	---	29.5	26	22.7	28.35	52207-2260	22
			---	---	28.5	25	21.7	27.35	52207-2160	21
			---	---	27.5	24	20.7	26.35	52207-2060	20
			---	---	26.5	23	19.7	25.35	52207-1960	19
			---	---	25.5	22	18.7	24.35	52207-1860	18
キャリアテープ幅 CARRIER TAPE WIDTH	H	E	(G)	(F)	(D)	(C)	(B)	(A)	MATERIAL NO. MODEL NO. 52207-**-60	種数 CKT.

REVISED EC NO: J2009-2061 DRWN:TKON 2009/05/20 CHKD:HMATSUMOTO 2009/05/21 APPR:NUKITA 2009/05/21 G REV	GENERAL TOLERANCES (UNLESS SPECIFIED)		DIMENSION STYLE MM ONLY		SCALE ---	DESIGN UNITS METRIC	THIRD ANGLE PROJECTION		
	10 UNDER	±0.2	DRAWN BY M.UMEDA	DATE 2005/03/03	TITLE 1.0 FPC CONN ZIF SMT WITH EMBSTP PKG -LEAD FREE-				
	10 OVER 30 UNDER	±0.25	CHECKED BY K.TOYODA	DATE 2005/03/03	MOLEX INCORPORATED				
	30 OVER	±0.3	APPROVED BY N.UKITA	DATE 2005/03/03	MATERIAL NO. SEE TABLE	DOCUMENT NO. SD-52207-065	SHEET NO. 4 OF 5		
	ANGULAR ±1 ° DRAFT WHERE APPLICABLE MUST REMAIN WITHIN DIMENSIONS		THIS DRAWING CONTAINS INFORMATION THAT IS PROPRIETARY TO MOLEX INCORPORATED AND SHOULD NOT BE USED WITHOUT WRITTEN PERMISSION						



56mm 幅 キャリアテープ
56mm WIDTH CARRIER TAPE

56	61.4	57.4	37.5	34	30.7	36.35	52207-3060	30
			36.5	33	29.7	35.35	52207-2960	29
			35.5	32	28.7	34.35	52207-2860	28
キャリアテープ幅 CARRIER TAPE WIDTH	F	E	(D)	(C)	(B)	(A)	MATERIAL NO.	CIRCUIT

REVISED EC NO: J2009-2061 DRWN:TKON 2009/05/20 CHKD:HMATSUMOTO 2009/05/21 APPR:NUKITA 2009/05/21	GENERAL TOLERANCES (UNLESS SPECIFIED)		DIMENSION STYLE MM ONLY		SCALE ---	DESIGN UNITS METRIC	MODEL NO. 52207-***60	
	10 UNDER	±0.2	DRAWN BY M.UMEDA	DATE 2005/03/03	TITLE 1.0 FPC CONN ZIF SMT WITH EMBSTP PKG -LEAD FREE-			
	10 OVER 30 UNDER	±0.25	CHECKED BY K.TOYODA	DATE 2005/03/03	MOLEX INCORPORATED			
	30 OVER	±0.3	APPROVED BY N.UKITA	DATE 2005/03/03	MATERIAL NO. SEE TABLE	DOCUMENT NO. SD-52207-065	SHEET NO. 5 OF 5	
REV	ANGULAR ±1 ° DRAFT WHERE APPLICABLE MUST REMAIN WITHIN DIMENSIONS		THIS DRAWING CONTAINS INFORMATION THAT IS PROPRIETARY TO MOLEX INCORPORATED AND SHOULD NOT BE USED WITHOUT WRITTEN PERMISSION					