

PLEASE CHECK WWW.MOLEX.COM FOR LATEST PART INFORMATION

Part Number: [0355070603](#)
Status: **Active**
Overview: [sherlock](#)
Description: 2.00mm (.079") Pitch Sherlock™ Wire-to-Board Housing, Yellow, 6 Circuits

Documents:

[3D Model](#) [Product Specification PS-35507-002 \(PDF\)](#)
[Drawing \(PDF\)](#) [RoHS Certificate of Compliance \(PDF\)](#)
[Product Specification PS-35507-001 \(PDF\)](#)

Agency Certification

CSA LR19980
 UL E29179

General

Product Family Crimp Housings
 Series [35507](#)
 Overview [sherlock](#)
 Product Name Sherlock™

Physical

Circuits (maximum) 6
 Circuits Detail 6
 Color - Resin Yellow
 Flammability 94V-0
 Gender Female
 Glow-Wire Compliant No
 Keying to Mating Part None
 Lock to Mating Part Yes
 Material - Resin Polyester
 Number of Rows 1
 Packaging Type Bag
 Panel Mount No
 Pitch - Mating Interface (in) 0.079 In
 Pitch - Mating Interface (mm) 2.00 mm
 Polarized to Mating Part Yes
 Stackable No
 Temperature Range - Operating -40°C to +105°C

Electrical

Current - Maximum per Contact 2A

Material Info

Reference - Drawing Numbers

Product Specification PS-35507-001, PS-35507-002, RPS-35507-003,
 RPS-35507-004, RPS-35507-005, RPS-35507-009,
 RPS-35507-010, RPS-35507-011
 Sales Drawing SD-35507-001

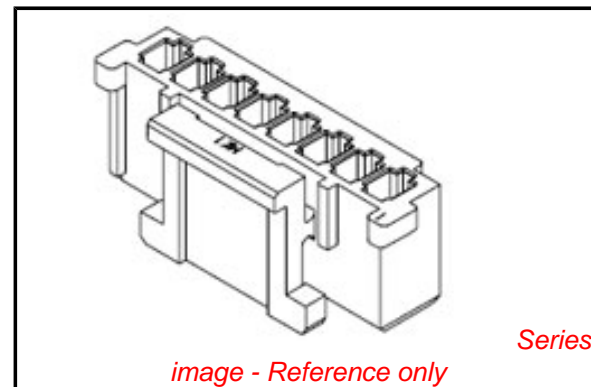


image - Reference only

EU RoHS

**ELV and RoHS
 Compliant**
REACH SVHC
 Not Reviewed
**Halogen-Free
 Status**

China RoHS



Not Reviewed

**Need more information on product
 environmental compliance?**

Email productcompliance@molex.com
 For a multiple part number RoHS Certificate of
 Compliance, [click here](#)

Please visit the [Contact Us](#) section for any
 non-product compliance questions.

Search Parts in this Series

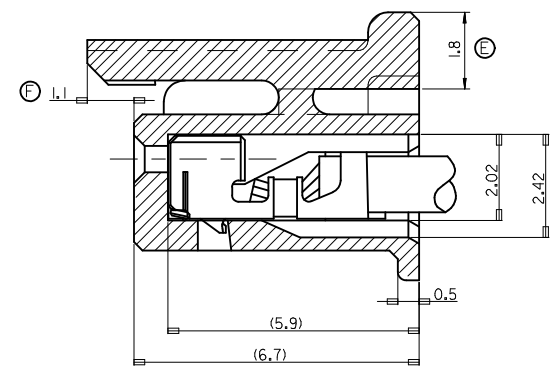
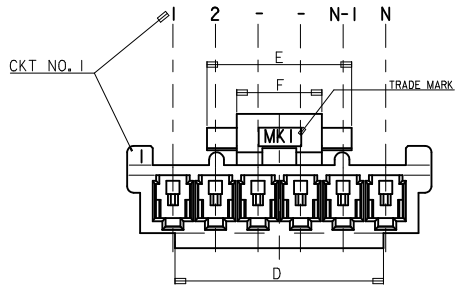
[35507Series](#)

Mates With

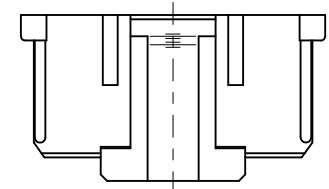
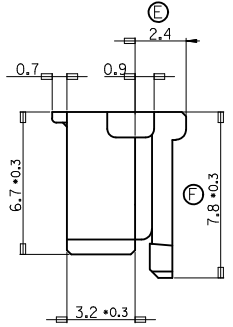
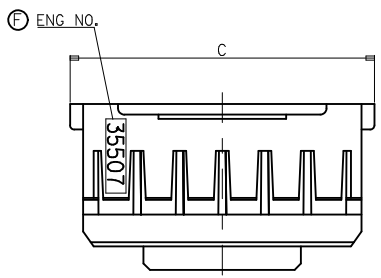
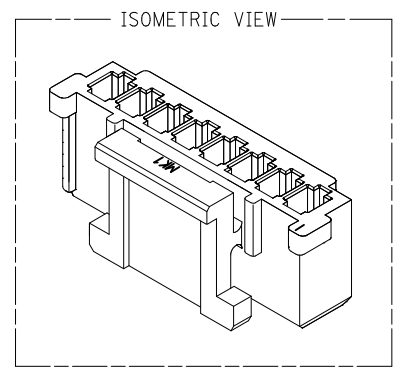
Sherlock™ Wire-to-Board Header [35362](#) ,
[35363](#)

Use With

2.00mm (.079") Pitch Crimp Terminal [50212](#)
 , [10440](#)

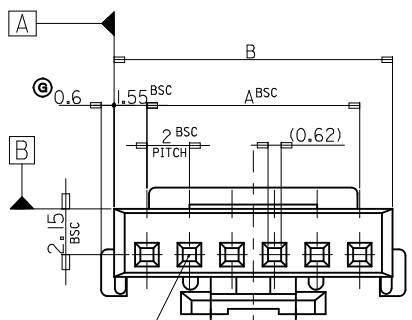


TERMINAL INSERTED DRAWING
SCALE 2:1



NOTES

- 1. MATERIAL : POLYESTER, UL94V-0
- 2. FINISH : VARIABLE COLOR (SEE LEGEND)
- 3. PRODUCT SPECIFICATION NO : PS-35507-001
- 4. APPLICABLE TERMINAL : 50212-8000
- 5. MATES WITH : 35362-***, 35363-***



LEGEND

| | |
|---|-----------|
| 0 | : NATURAL |
| 1 | : BLACK |
| 2 | : RED |
| 3 | : YELLOW |
| 4 | : BLUE |
| 5 | : GREEN |

| | |
|-------------------|-------|
| 30 over | +0.3 |
| 10 over 30 under | ±0.25 |
| 10 under | ±0.2 |
| ANGLE | ±3° |
| GENERAL TOLERANCE | |

REVISED
EC NO: KOR2008-0029
DRWN: JHLE05 2009/12/18
CHKD: KSK IM 2009/12/18
APPR: YUNSIKKIM 2009/12/21

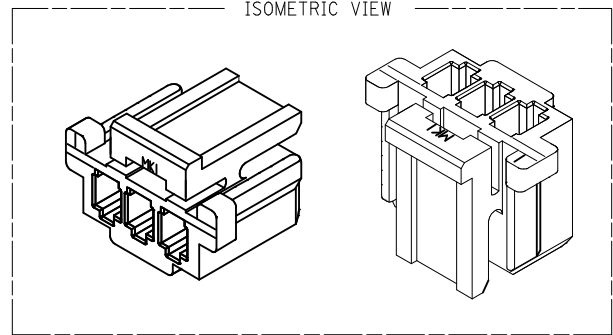
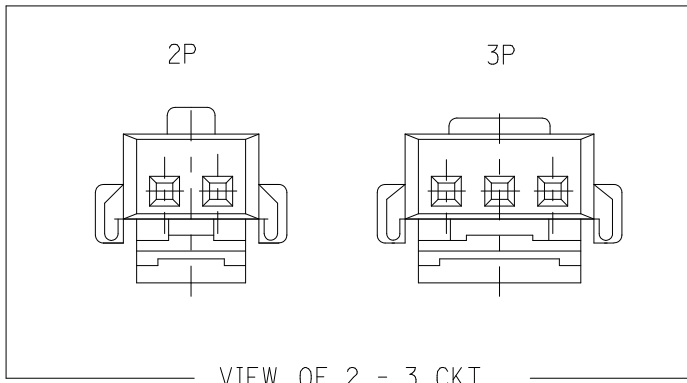
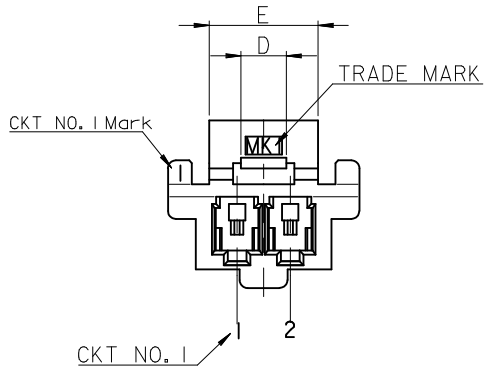
QUALITY SYMBOLS
▽=1
∇=0

| GENERAL TOLERANCES (UNLESS SPECIFIED) | |
|---------------------------------------|-------|
| | mm |
| 4 PLACES | ± --- |
| 3 PLACES | ± --- |
| 2 PLACES | ± --- |
| 1 PLACE | ± --- |
| ANGULAR ± ---° | |

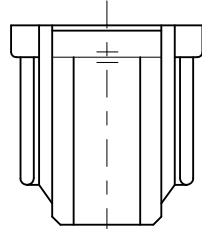
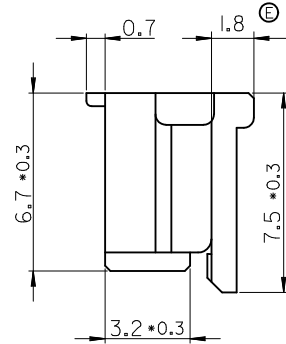
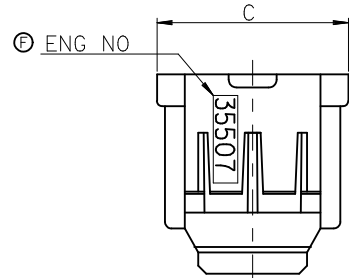
| DIMENSION STYLE | |
|-----------------|------------|
| MM ONLY | |
| DRAWN BY | DATE |
| YSKIM02 | 1996/09/11 |
| CHECKED BY | DATE |
| YSKIM04 | 1996/09/11 |
| APPROVED BY | DATE |
| CWLEE | 1996/09/12 |
| MATERIAL NO. | |
| SEE TABLE | |
| SIZE | A3 |

| SCALE | | DESIGN UNITS | | THIRD ANGLE PROJECTION | |
|---|--|--------------|--|------------------------|--|
| 1:1 | | METRIC | | X | |
| 2.0 W-T-B CONN HOUSING 4-15P ONLY | | | | | |
| MOLEX INCORPORATED | | | | SHEET NO. | |
| DOCUMENT NO. | | | | 1 OF 3 | |
| SD-35507-001 | | | | | |
| THIS DRAWING CONTAINS INFORMATION THAT IS PROPRIETARY TO MOLEX INCORPORATED AND SHOULD NOT BE USED WITHOUT WRITTEN PERMISSION | | | | | |

| | | | | | | | |
|-----|------|------|------|------|----|------------|-----|
| 4 | 4 | 27.8 | 32.3 | 31.1 | 28 | -150* | 15 |
| | | 25.8 | 30.3 | 29.1 | 26 | -140* | 14 |
| | | 23.8 | 28.3 | 27.1 | 24 | -130* | 13 |
| | | 21.8 | 26.3 | 25.1 | 22 | -120* | 12 |
| | | 19.8 | 24.3 | 23.1 | 20 | -110* | 11 |
| | | 17.8 | 22.3 | 21.1 | 18 | -100* | 10 |
| 7 | 7 | 15.8 | 20.3 | 19.1 | 16 | -090* | 9 |
| 8.0 | 10.8 | 13.8 | 18.3 | 17.1 | 14 | -080* | 8 |
| 4 | 4 | 11.8 | 16.3 | 15.1 | 12 | -070* | 7 |
| | | 9.8 | 14.3 | 13.1 | 10 | -060* | 6 |
| | | 7.8 | 12.3 | 11.1 | 8 | -050* | 5 |
| 410 | 614 | 5.8 | 10.3 | 9.1 | 6 | 35507-040* | 4 |
| F | E | D | C | B | A | ENG NO. | CKT |

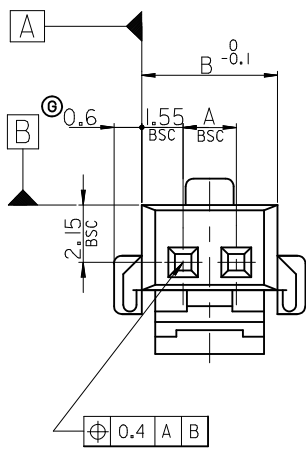


FOR 2 & 3 CKTS.



LEGEND

| | | | |
|---------|------|-------|-------------|
| CTK NO. | **0* | COLOR | 0 : NATURAL |
| | | | 1 : BLACK |
| | | | 2 : RED |
| | | | 3 : YELLOW |
| | | | 4 : BLUE |
| | | | 5 : GREEN |



NOTES

1. MATERIAL : POLYESTER, UL94V-0
2. FINISH : VARIABLE COLOR (SEE LEGEND)
3. PRODUCT SPECIFICATION NO : PS-35507-001
4. APPLICABLE TERMINAL : 50212-8000
5. MATES WITH : 35362-***, 35363-***

| | | | | | |
|-----|-----|-----|---|------------|-----|
| 2.5 | 9.2 | 7.1 | 4 | -030* | 3 |
| 1.7 | 7.2 | 5.1 | 2 | 35507-020* | 2 |
| D | C | B | A | ENG NO. | CKT |

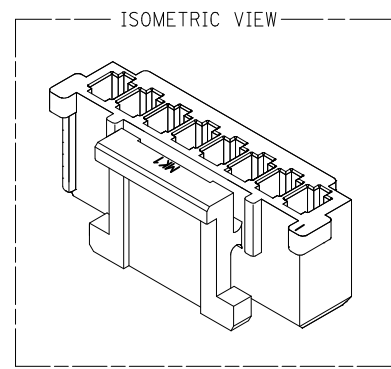
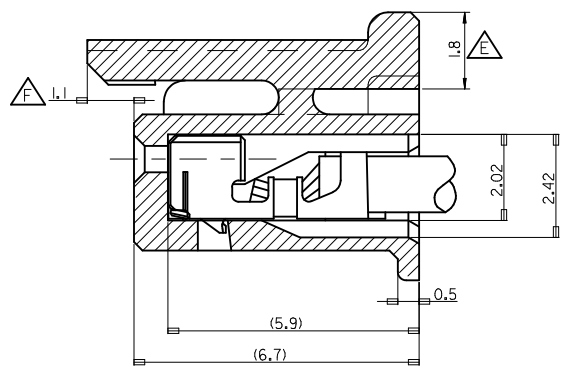
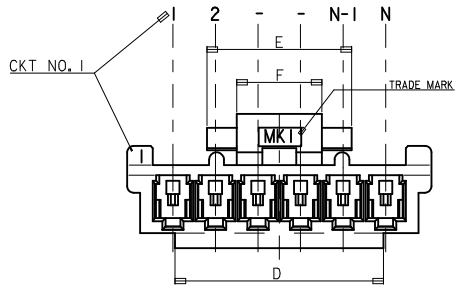
| | |
|-------------------|-------|
| 30 over | ±0.3 |
| 10 over 30 under | ±0.25 |
| 10 under | ±0.2 |
| ANGLE | ±3° |
| GENERAL TOLERANCE | |

| | | |
|----------------|---------------------|-------------|
| REVISED | EC NO: KOR2008-0029 | DESCRIPTION |
| DRWN: JHLE05 | 2009/12/18 | |
| CHKD: KSK IM | 2009/12/18 | |
| APPR: YUNSIKIM | 2009/12/21 | |

| | |
|--|-------|
| QUALITY SYMBOLS | ▽=0 |
| | ∇=0 |
| GENERAL TOLERANCES (UNLESS SPECIFIED) | |
| | mm |
| | INCH |
| 4 PLACES | ± --- |
| 3 PLACES | ± --- |
| 2 PLACES | ± --- |
| 1 PLACE | ± --- |
| ANGULAR ± ---° | |
| DRAFT WHERE APPLICABLE MUST REMAIN WITHIN DIMENSIONS | |

| | |
|-----------------|------------|
| DIMENSION STYLE | |
| MM ONLY | |
| DRAWN BY | DATE |
| YSKIM02 | 1996/09/11 |
| CHECKED BY | DATE |
| YSKIM04 | 1996/09/11 |
| APPROVED BY | DATE |
| CWLEE | 1996/09/11 |
| MATERIAL NO. | |
| SEE TABLE | |
| SIZE | A3 |

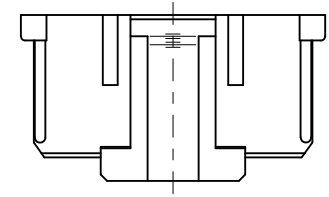
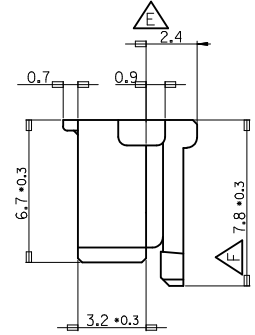
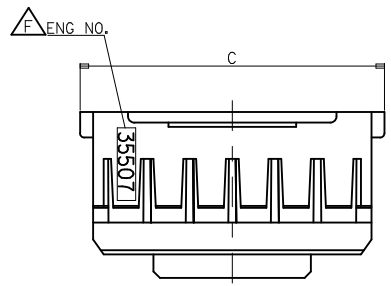
| | | |
|---|--------------|------------------------|
| SCALE | DESIGN UNITS | THIRD ANGLE PROJECTION |
| 1:1 | METRIC | |
| TITLE | | |
| 2.0 W-T-B CONN HOUSING 2 TO 3P ONLY | | |
| MOLEX INCORPORATED | | |
| MATERIAL NO. | DOCUMENT NO. | SHEET NO. |
| | SD-35507-001 | 2 OF 3 |
| THIS DRAWING CONTAINS INFORMATION THAT IS PROPRIETARY TO MOLEX INCORPORATED AND SHOULD NOT BE USED WITHOUT WRITTEN PERMISSION | | |



TERMINAL INSERTED DRAWING
SCALE 8:1

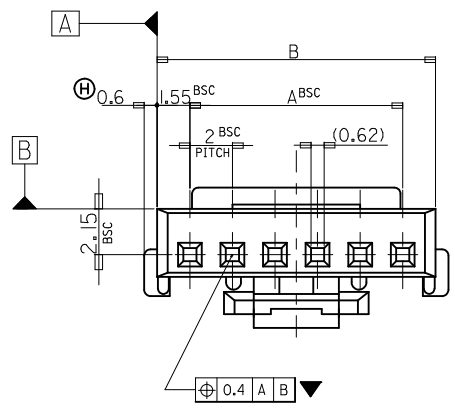
NOTES

1. MATERIAL : POLYESTER, NON GLASS FILLED, UL94V-0
2. FINISH : VARIABLE COLOR (SEE LEGEND)
3. PRODUCT SPECIFICATION : PS-35507-001
4. APPLICABLE TERMINAL : 50212-8000
5. MATES WITH : 35362-***, 35363-***



LEGEND

| | | | |
|---------|------|-------|-------------|
| CKT NO. | **0* | COLOR | 0 : NATURAL |
| | | | 1 : BLACK |
| | | | 2 : RED |
| | | | 3 : YELLOW |
| | | | 4 : BLUE |
| | | | 5 : GREEN |



| | | | | | | | | |
|-----|------|------|------|------|----|--------------|------------|-----|
| 8.0 | 10.8 | 37.8 | 42.3 | 41.1 | 38 | 35507200* | 35507-200* | 20 |
| 8.0 | 10.8 | 35.8 | 40.3 | 39.1 | 36 | 35507190* | 35507-190* | 19 |
| 8.0 | 10.8 | 33.8 | 38.3 | 37.1 | 34 | 35507180* | 35507-180* | 18 |
| 8.0 | 10.8 | 31.8 | 36.3 | 35.1 | 32 | 35507170* | 35507-170* | 17 |
| 8.0 | 10.8 | 29.8 | 34.3 | 33.1 | 30 | 35507160* | 35507-160* | 16 |
| F | E | D | C | B | A | MATERIAL NO. | ENG NO. | CKT |

| | | | | | | |
|---|-----------------|---|--|--------------------|------------------------|------------------------|
| REVISED EC NO: KOR2008-0029 DRWN: JHLEE05 2009/12/18 CHKD: KSK IM 2009/12/18 APPR: YUNSIKKIM 2009/12/18 | QUALITY SYMBOLS | GENERAL TOLERANCES (UNLESS SPECIFIED) | DIMENSION STYLE | SCALE | DESIGN UNITS | THIRD ANGLE PROJECTION |
| | ▼ = 0 ◻ = 0 | mm INCH 4 PLACES ± --- ± --- 3 PLACES ± --- ± --- 2 PLACES ± --- ± --- 1 PLACE ± --- ± --- ANGULAR ± ---° | MM ONLY | 1:1 | METRIC | |
| | DESCRIPTION | DRAFT WHERE APPLICABLE MUST REMAIN WITHIN DIMENSIONS | DRAWN BY YSK1M02 CHECKED BY YSK1M04 APPROVED BY CWLEE DATE 1996/09/11 | TITLE | 2.0 W-T-B CONN HOUSING | |
| | SEE TABLE | MATERIAL NO. | DOCUMENT NO. | MOLEX INCORPORATED | | |
| | SHEET NO. | THIS DRAWING CONTAINS INFORMATION THAT IS PROPRIETARY TO MOLEX INCORPORATED AND SHOULD NOT BE USED WITHOUT WRITTEN PERMISSION | | SD-35507-001 | | |