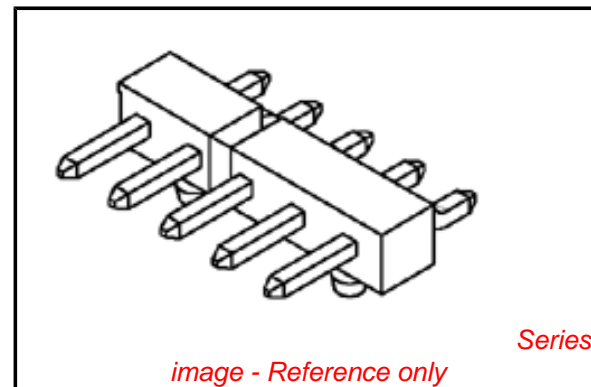


PLEASE CHECK WWW.MOLEX.COM FOR LATEST PART INFORMATION

Part Number: **0878580550**
Status: **Active**
Overview: milligrd
Description: 2.00mm (.079") Pitch Milli-Grid™ Breakaway Header, Surface Mount, Single Row, Parallel, 2.54µm (100µ") Tin (Sn) Plating, without Peg, with Kapton Tape, Mating Pin Length 3.20mm (.126"), 5 Circuits, Lead-free

Documents:

[Drawing \(PDF\)](#) [RoHS Certificate of Compliance \(PDF\)](#)
[Product Specification PS-87761-100 \(PDF\)](#)



General

Product Family	PCB Headers
Series	87858
Application	Wire-to-Board
Overview	milligrd
Product Name	Milli-Grid™
Physical	
Breakaway	Yes
Circuits (Loaded)	5
Circuits (maximum)	5
Color - Resin	Black
First Mate / Last Break	No
Glow-Wire Compliant	No
Guide to Mating Part	No
Keying to Mating Part	None
Lock to Mating Part	None
Mated Height (in)	0.126 In
Mated Height (mm)	3.20 mm
Material - Metal	Copper Alloy
Material - Plating Mating	Tin
Material - Plating Termination	Nickel
Material - Resin	High Temperature Thermoplastic
Number of Rows	1
Orientation	Parallel
PC Tail Length (in)	0.110 In
PC Tail Length (mm)	2.80 mm
PCB Locator	Yes
PCB Retention	None
PCB Thickness Recommended (in)	0.063 In
PCB Thickness Recommended (mm)	1.60 mm
Packaging Type	Embossed Tape on Reel
Pitch - Mating Interface (in)	0.079 In
Pitch - Mating Interface (mm)	2.00 mm
Pitch - Term. Interface (in)	0.079 In
Pitch - Term. Interface (mm)	2.00 mm
Plating min: Mating (µin)	100
Plating min: Mating (µm)	2.54
Polarized to Mating Part	No
Polarized to PCB	Yes
Shrouded	No
Stackable	No
Temperature Range - Operating	-55°C to +105°C
Termination Interface: Style	Surface Mount

EU RoHS

ELV and RoHS Compliant
REACH SVHC
 Not Reviewed
Halogen-Free Status

China RoHS



Not Reviewed

Need more information on product environmental compliance?

Email productcompliance@molex.com
 For a multiple part number RoHS Certificate of Compliance, [click here](#)

Please visit the [Contact Us](#) section for any non-product compliance questions.

Search Parts in this Series

87858Series

Mates With

2.00 mm (.079") single row receptacles

Electrical

Current - Maximum per Contact	2A
Voltage - Maximum	125V

Solder Process Data

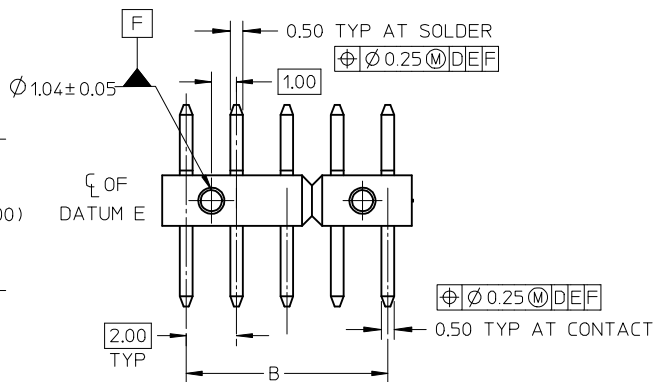
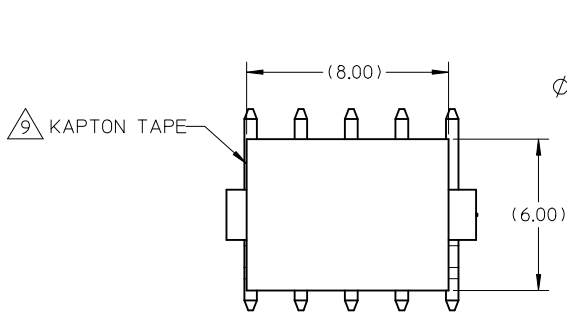
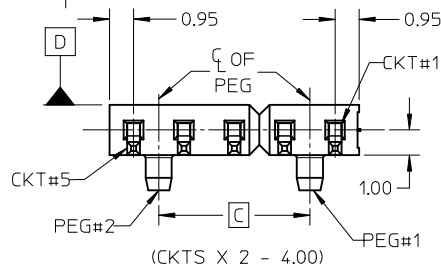
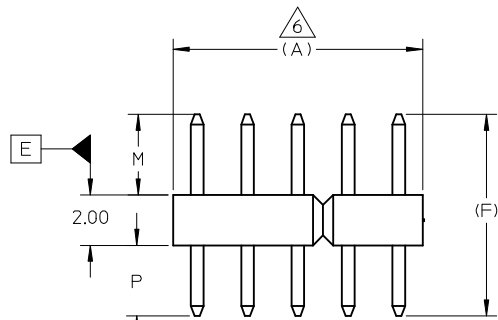
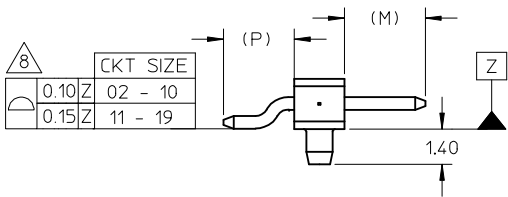
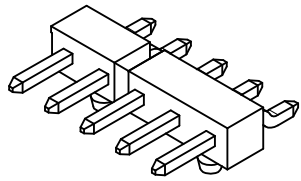
Duration at Max. Process Temperature (seconds)	10
Lead-free Process Capability	Reflow Capable (SMT only)
Max. Cycles at Max. Process Temperature	3
Process Temperature max. C	260

Material Info**Reference - Drawing Numbers**

Product Specification	PS-87761-100
Sales Drawing	SD-87858-022

This document was generated on 05/25/2010

PLEASE CHECK WWW.MOLEX.COM FOR LATEST PART INFORMATION



NOTES:

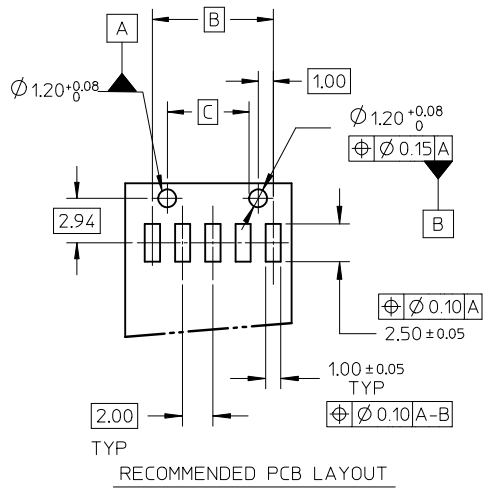
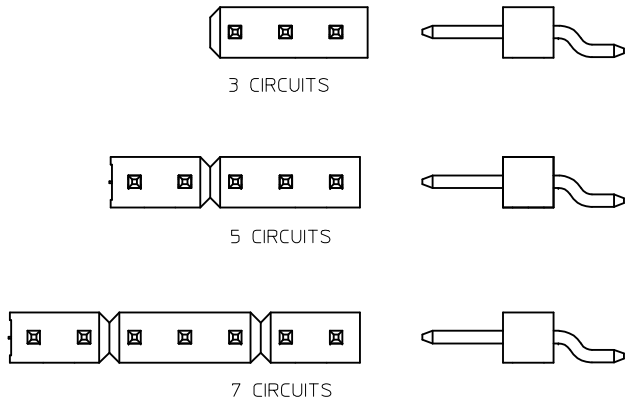
- MATERIAL:
HSG: LCP, GLASS-FILLED, UL94V-0, COLOR:BLACK
PIN: 0.50mm SQ, COPPER ALLOY
- PLATING:
(1) 2.54µm TIN OVERALL PLATING OVER NICKEL OVERALL
(2) 5.08µm TIN OVERALL PLATING OVER NICKEL OVERALL
- PACKAGING TYPE: SEE TABLE
- PACKAGING SPECIFICATION:
TRAY: PK-89990-487
TAPE & REEL: PK-89990-484
- PRODUCT SPEC PS-87761-100 APPLIES
- IRREGULAR CIRCUIT CUTOFF WITHIN BREAKAWAY SECTION IS PERMISSIBLE. MEASUREMENT AT BOTH ENDS, FROM CUT END TO THE CENTRELINE OF THE HOUSING CORE HOLE OF THE FIRST PIN REMAINS AT 0.95±0.20MM. CUTTING AND CHIPPING OF THE MAIN BODY IS NOT ACCEPTABLE.
- THE ABOVE CKT 5 IS FOR ILLUSTRATION PURPOSE ONLY
- COPLANARITY IS TO BE MEASURED BY RESTING THE SOLDER TAIL ON A GAUGE SURFACE
- KAPTON TAPE LOCATION IS CENTRED AT THE PART AS POSSIBLE.
- RECOMMENDED PCB BOARD THICKNESS: 1.60±0.10mm

EWRHSG MODIFICATION EC NO: S2009-0295 DR:WATSEE 2009/02/09 CHKD:SKANG 2009/02/10 APPR:MLONG 2009/02/11	QUALITY SYMBOLS ▽=0 ◻=0	GENERAL TOLERANCES (UNLESS SPECIFIED)		DIMENSION STYLE	SCALE	DESIGN UNITS	THIRD ANGLE PROJECTION	
				MM ONLY	NTS	METRIC		
		mm	INCH	DRAWN BY	DATE	TITLE		
		4 PLACES	± ---	± ---	CWLAM	2007/12/04	2MM SINGLE ROW HDR (ODD) SMT WITH PEG, BREAKAWAY	
3 PLACES	± ---	± ---	CHECKED BY	DATE	MOLEX INCORPORATED			
2 PLACES	± 0.2	± ---	KWLEE	2007/12/17				
1 PLACE	± ---	± ---	APPROVED BY	DATE	DOCUMENT NO.			
ANGULAR ± 3 °				KWLEE	2007/12/17	SD-87858-022		
DRAFT WHERE APPLICABLE MUST REMAIN WITHIN DIMENSIONS				MATERIAL NO.	SHEET NO.			
				SEE TABLE	1 OF 3			
				SIZE	THIS DRAWING CONTAINS INFORMATION THAT IS PROPRIETARY TO MOLEX INCORPORATED AND SHOULD NOT BE USED WITHOUT WRITTEN PERMISSION			
				A3				

CKT SIZE	DIMENSION		
	A	B	C
03	5.90	4.00	-
05	9.90	8.00	6.00
07	13.90	12.00	10.00
09	17.90	16.00	14.00
11	21.90	20.00	18.00
13	25.90	24.00	22.00
15	29.90	28.00	26.00
17	33.90	32.00	30.00
19	37.90	36.00	34.00

PART NO. IN TAPE & REEL PACKAGING	CKT # SIZE	PART NO. IN TRAY PACKAGING	KAPTON TAPE	PEG	PLATING OPTION	VOID POSITION	DIMENSION		
							F	MATING END	SOLDER TAIL (P)
87858-0550	5	-	Y	N	1	----	8.00	3.20	2.80
87858-0750	7	-	Y	N	1	----	8.00	3.20	2.80
87858-0751	7	-	N	Y	1	----	8.00	3.20	2.80
87858-0760	7	-	Y	N	1	----	8.97	4.17	2.80

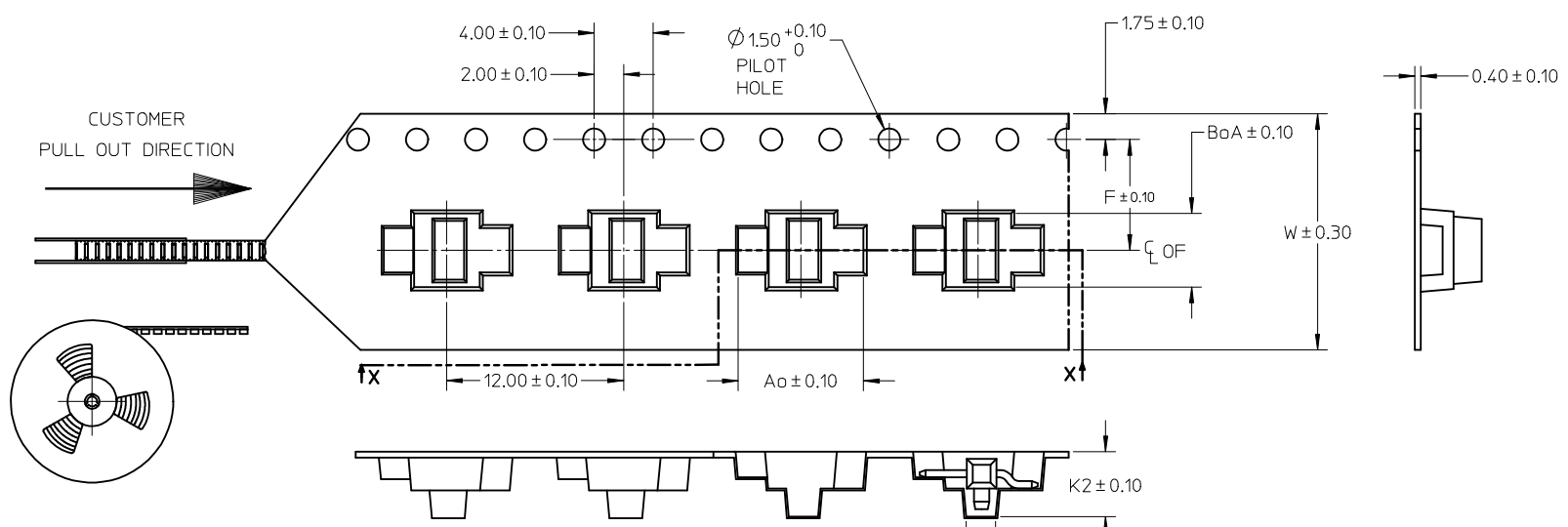
PART WITHOUT PEG CONFIGURATION



EWRHSG MODIFICATION EC NO: S2009-0295 DR:WATSEE 2009/02/09 CHKD:SKANG 2009/02/10 APPR:MLONG 2009/02/11	QUALITY SYMBOLS = 0 = 0	GENERAL TOLERANCES (UNLESS SPECIFIED)		DIMENSION STYLE MM ONLY		SCALE NTS	DESIGN UNITS METRIC	THIRD ANGLE PROJECTION		
			mm	INCH	DRAWN BY	DATE	TITLE			
		4 PLACES	± ---	± ---	CWLAM	2007/12/04	2MM SINGLE ROW HDR (ODD)			
		3 PLACES	± ---	± ---	CHECKED BY	DATE	SMT WITH PEG, BREAKAWAY			
		2 PLACES	± 0.2	± ---	KWLEE	2007/12/17	MOLEX INCORPORATED			
1 PLACE	± ---	± ---	APPROVED BY	DATE	MATERIAL NO.		DOCUMENT NO.		SHEET NO.	
ANGULAR ± 3 °			DRAFT WHERE APPLICABLE MUST REMAIN WITHIN DIMENSIONS		SEE TABLE		SD-87858-022		2 OF 3	
THIS DRAWING CONTAINS INFORMATION THAT IS PROPRIETARY TO MOLEX INCORPORATED AND SHOULD NOT BE USED WITHOUT WRITTEN PERMISSION										

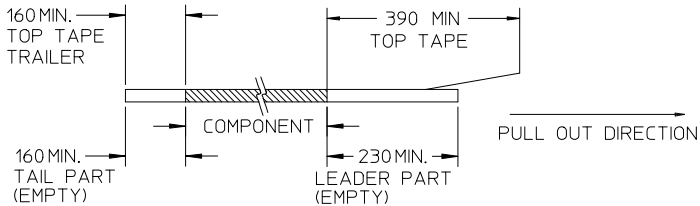
CKT	DIMENSION					PACKABLE QTY
	BoA	Ao	K2	F	W	
5	11.20	8.50	4.40	11.50	24.00	1200
7	15.20	8.50	4.40	11.50	24.00	1200

TAPE AND REEL INFORMATION

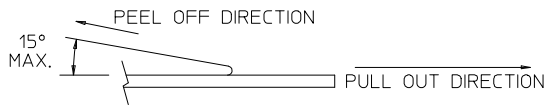


NOTES:

1. LEADER AND TRAILER TAPE



2. PEELING OFF FORCE OF THE TOP TAPE: 20-80gf. (PEELING DIRECTION AS SHOWN IN FOLLOWING FIGURE)



- 3. MATERIAL: BLACK P.S CONDUCTIVE
- 4. PACKAGING STANDARD IS AS PER EIA-481.
- 5. THE TAPE IS TREATED FOR ANTI-STATIC.

SECTION X-X

PART IN TAPE & REEL ORIENTATION (FOR REF. ONLY)

EWRHSG MODIFICATION EC NO: S2009-0295 DR:WATSEE 2009/02/09 CHK:D:SKANG 2009/02/10 APPR:MLONG 2009/02/11	QUALITY SYMBOLS	GENERAL TOLERANCES (UNLESS SPECIFIED)	DIMENSION STYLE	SCALE	DESIGN UNITS	THIRD ANGLE PROJECTION
	▼=0 ∇=0	mm INCH 4 PLACES ± --- ± --- 3 PLACES ± --- ± --- 2 PLACES ± 0.2 ± --- 1 PLACE ± --- ± --- ANGULAR ± 3 °	MM ONLY	1:1	METRIC	
	DESCRIPTION	DRAFT WHERE APPLICABLE MUST REMAIN WITHIN DIMENSIONS	DRAWN BY: CWLAM DATE: 2007/12/04 CHECKED BY: DATE: APPROVED BY: KWLEE DATE: 2007/12/17 MATERIAL NO. DOCUMENT NO.	TITLE: 2MM SINGLE ROW HDR (ODD) SMT WITH PEG, BREAKAWAY MOLEX INCORPORATED SD-87858-022		
	REV	SIZE: A3	THIS DRAWING CONTAINS INFORMATION THAT IS PROPRIETARY TO MOLEX INCORPORATED AND SHOULD NOT BE USED WITHOUT WRITTEN PERMISSION			