

PLEASE CHECK WWW.MOLEX.COM FOR LATEST PART INFORMATION

Part Number: [0504199001](#)
Status: **Active**
Description: 3.50mm (.138") Pitch Crimp Terminal 50419, Reel

Documents:

[3D Model](#) [Product Specification PS-51067-008 \(PDF\)](#)
[Drawing \(PDF\)](#) [RoHS Certificate of Compliance \(PDF\)](#)

General

Product Family Crimp Terminals
 Series [50419](#)
 Crimp Quality Equipment Yes
 Product Name N/A

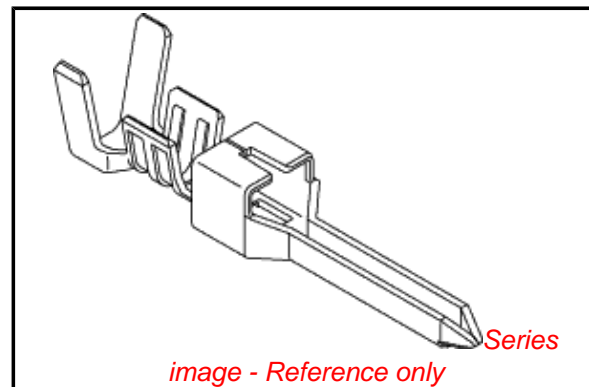
Physical

Gender Male
 Material - Metal Brass
 Material - Plating Mating Tin
 Material - Plating Termination Tin
 Packaging Type Reel
 Plating min: Mating (µin) 35
 Plating min: Mating (µm) 0.88
 Plating min: Termination (µin) 35
 Plating min: Termination (µm) 0.88
 Termination Interface: Style Crimp or Compression
 Wire Insulation Diameter 1.40-3.00mm (.055-.118")
 Wire Size AWG 18, 20, 22, 24
 Wire Size mm² N/A

Material Info

Reference - Drawing Numbers

Product Specification PS-51067-008, RPS-51067-020
 Sales Drawing SD-50419-****



EU RoHS

**ELV and RoHS
 Compliant**
**REACH SVHC
 Contains SVHC: No**
**Halogen-Free
 Status**

China RoHS



**Need more information on product
 environmental compliance?**

Email productcompliance@molex.com
 For a multiple part number RoHS Certificate of
 Compliance, [click here](#)

Please visit the [Contact Us](#) section for any
 non-product compliance questions.

Search Parts in this Series

[50419Series](#)

Mates With

[50217](#)

Use With

[51114](#)

Application Tooling | FAQ

*Tooling specifications and manuals are
 found by selecting the products below.
 Crimp Height Specifications are then
 contained in the Application Tooling
 Specification document.*

Japan

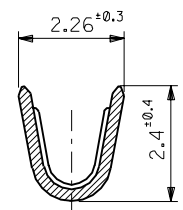
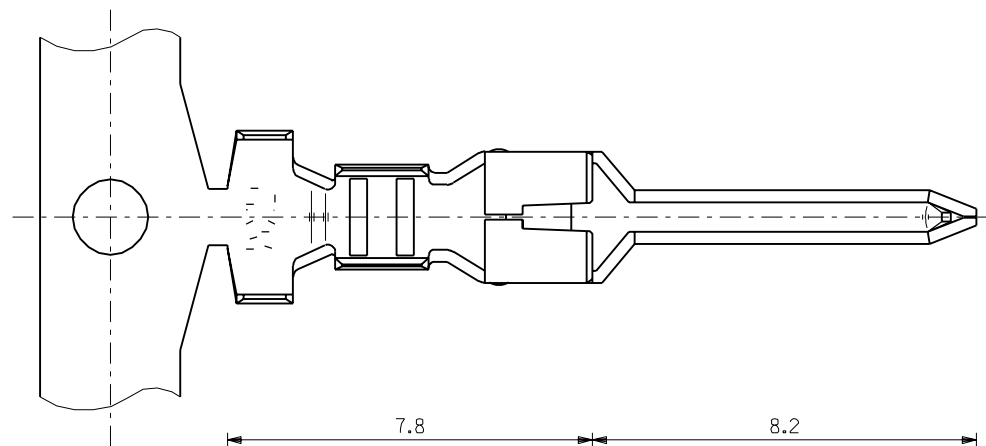
Description	Product #
Hand Extraction Tool	0573166000
Applicator for M21 1A Bench Press, 18-24 AWG, for 50419 Crimp Terminal	0573283000

Side-Feed Applicator 0573283200
For Full-Auto
Machine

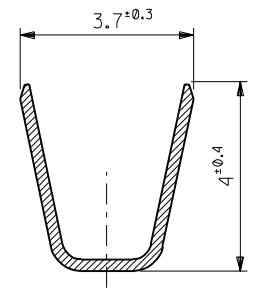
This document was generated on 04/15/2010

PLEASE CHECK WWW.MOLEX.COM FOR LATEST PART INFORMATION

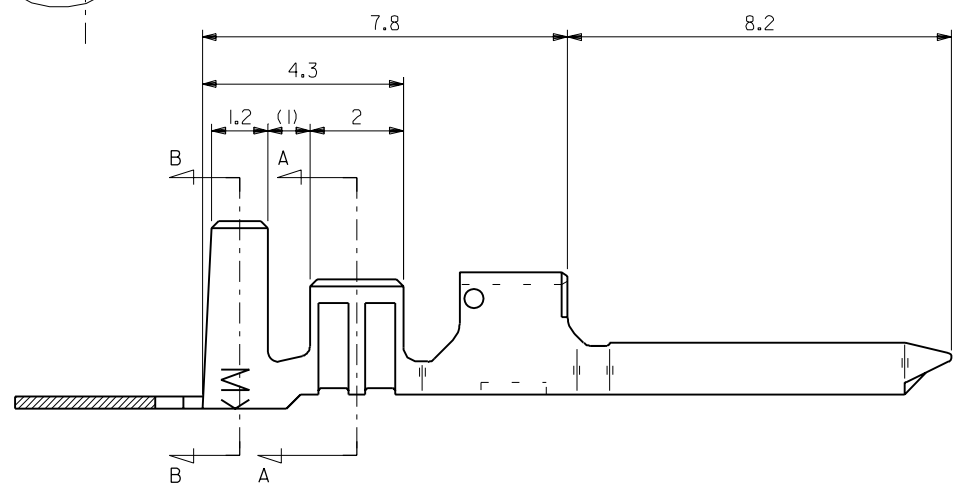
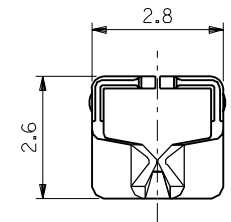
DWG. NO.
SD-50419-*****



SECT. A-A



SECT. B-B



50419-9101	バラ状 LOOSE
50419-9001	連鎖状 CHAIN
ENG.NO.	端子形状 FORM

注記 NOTES

- 適合ハウジング: 51114 シリーズ
APPLICABLE HOUSING : 51114 SERIES
- 材質
MATERIAL
黄銅、スズメッキ、t=0.254
BRASS, PRE-TINNED, t=0.254

角度 ANGLE	±3°				材料 MATERIAL	注記参照 SEE NOTES
30以上 OVER	+0.3				仕上げ FINISH	注記参照 SEE NOTES
10以上 30未満 UNDER	+0.25				適用電線範囲 WIRE RANGE	AWG #18~#24
10未満 UNDER	+0.2	0	新規作成 (J30900)	M.F.	被覆外径 INS. RANGE	φ1.4~φ3.0
一般公差 GENERAL TOLERANCES		記号 LTR	変更内容 REVISION RECORD	DR. / CHK.	日付 DATE	尺度 SCALE 10 : 1
					93/9/7	
					93/5/24	
					93/9/7	

molex MOLEX-JAPAN CO.,LTD. 日本モレックス株式会社	
REVISE ONLY ON CAD SYSTEM	
TITLE 名称 3.5 WIRE TO WIRE CONN. PLUG TERMINAL	
DWG. NO. SD-50419-*****	REV 0