

PLEASE CHECK WWW.MOLEX.COM FOR LATEST PART INFORMATION

Part Number: [0473370008](#)
Status: **Active**
Description: Stainless Steel Extractor for Camera Socket, 8.5x8.5 Type, Lead free

Documents:

[3D Model](#) [RoHS Certificate of Compliance \(PDF\)](#)
[Drawing \(PDF\)](#)

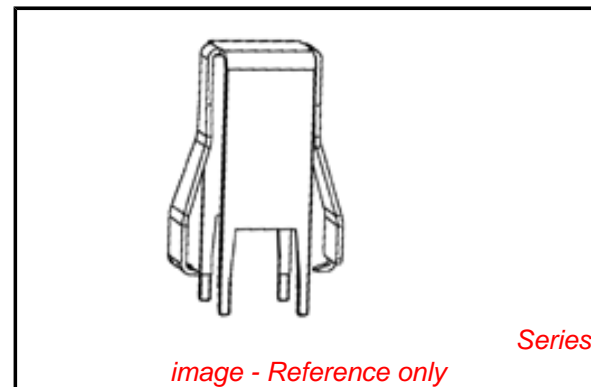
General

Product Family	Application Tooling
Series	47337
Comments	Arm to Leg Distance: 3.7mm (.146")
Function	Extraction
Geographic Area	Asia
Level of Automation	Manual
Product Name	N/A
Tool Type	Handtool

Material Info

Reference - Drawing Numbers

Sales Drawing [SD-105091-008, SD-47337-008](#)



EU RoHS

**ELV and RoHS
Compliant**
**REACH SVHC
Not Reviewed**
**Halogen-Free
Status
Not Reviewed**

China RoHS

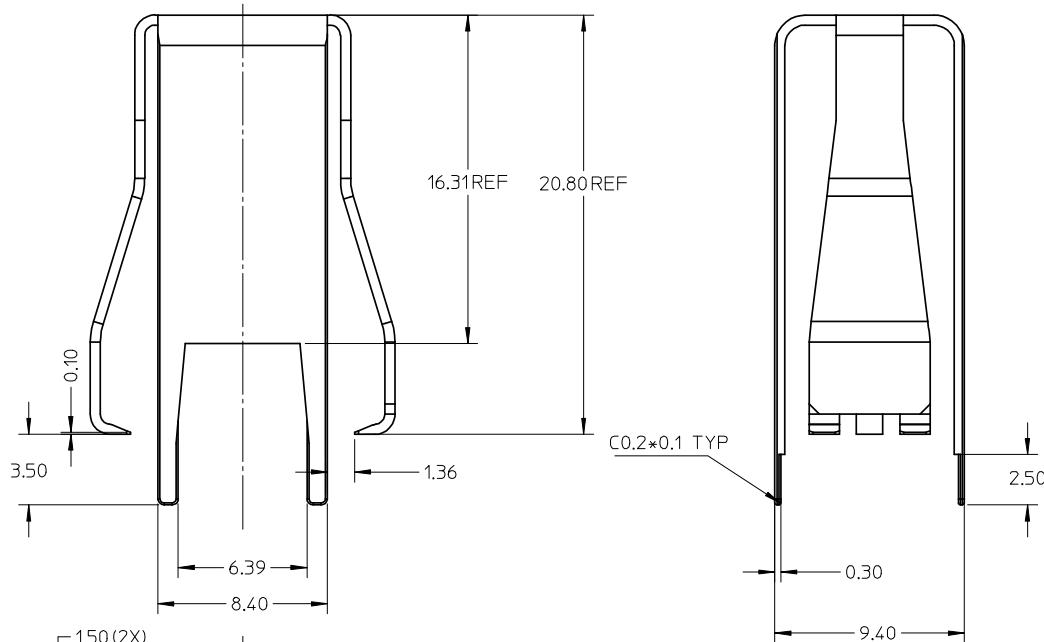
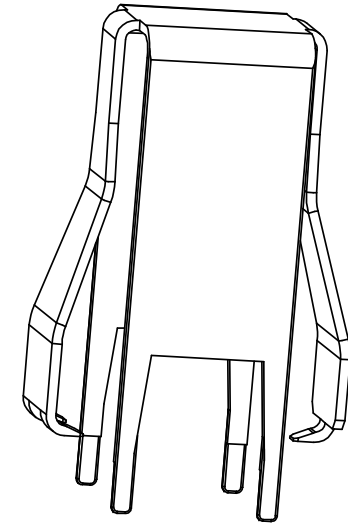
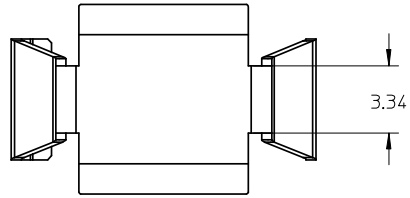


**Need more information on product
environmental compliance?**

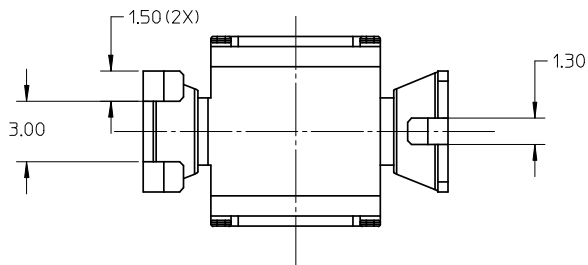
Email productcompliance@molex.com
 For a multiple part number RoHS Certificate of Compliance, [click here](#)

Please visit the [Contact Us](#) section for any non-product compliance questions.

Search Parts in this Series
[47337Series](#)



NOTES:
 1.MATERIAL: STAINLESS STEEL, THICKNESS: 0.5MM
 2.FINISH: NON-PLATING.
 3.COMPLIANT TO RoHS DIRECTIVE 200/95/EC AND ELV 2000/53/EC



NEW RELEASE EC NO: SH2008-0421 DRWN:MSH 2008/02/22 CHKD:YLZHU 2008/02/26 APPR:HWANG 2008/03/20	QUALITY SYMBOLS ▽=9 ◻=0	GENERAL TOLERANCES (UNLESS SPECIFIED)		DIMENSION STYLE MM ONLY		SCALE 4:1	DESIGN UNITS METRIC	THIRD ANGLE PROJECTION		
			mm	INCH	DRAWN BY	DATE	TITLE			
		4 PLACES	± ---	± ---	IHE	2007/03/12	EXTRACTOR FOR 8.5X8.5 CAMERA SOCKET			
		3 PLACES	± ---	± ---	CHECKED BY	DATE				
	ANGULAR ± 2 °		2 PLACES	± 0.15	± ---	YLZHU	2007/10/31	MOLEX INCORPORATED		
1 PLACE	± 0.15	± ---	APPROVED BY	DATE	DOCUMENT NO.		SHEET NO.			
	DRAFT WHERE APPLICABLE MUST REMAIN WITHIN DIMENSIONS		MATERIAL NO.		473370008		SD-47337-008		1 OF 1	
			SIZE	THIS DRAWING CONTAINS INFORMATION THAT IS PROPRIETARY TO MOLEX INCORPORATED AND SHOULD NOT BE USED WITHOUT WRITTEN PERMISSION						
A			A3							