

PLEASE CHECK WWW.MOLEX.COM FOR LATEST PART INFORMATION

Part Number: [0433011003](#)
Status: **Active**
Overview: [flat blade](#)
Description: Flat Blade Appliance Pressure Switch Crimp Housing, 3 Circuit

Documents:

[3D Model](#) [RoHS Certificate of Compliance \(PDF\)](#)
[Drawing \(PDF\)](#)

Agency Certification

CSA	LR19980
TUV	J9551810
UL	E29179

General

Product Family	Crimp Housings
Series	43301
Overview	flat blade
Product Name	Flat Blade

Physical

Circuits (maximum)	3
Color - Resin	Natural
Flammability	94V-0
Gender	Female
Glow-Wire Compliant	No
Material - Resin	Nylon
Number of Rows	1
Packaging Type	Bag
Panel Mount	No
Pitch - Mating Interface (in)	0.220 In
Pitch - Mating Interface (mm)	5.59 mm
Stackable	No
Temperature Range - Operating	-40°C to +75°C

Material Info

Reference - Drawing Numbers

Sales Drawing	SD-43301-1003
---------------	---------------

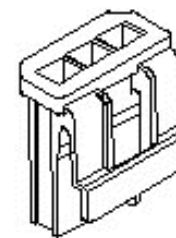


image - Reference only

Series

EU RoHS

ELV and RoHS Compliant
REACH SVHC Contains SVHC: No
Halogen-Free Status
Not Reviewed

China RoHS



Need more information on product environmental compliance?

Email productcompliance@molex.com
 For a multiple part number RoHS Certificate of Compliance, [click here](#)

Please visit the [Contact Us](#) section for any non-product compliance questions.

Search Parts in this Series

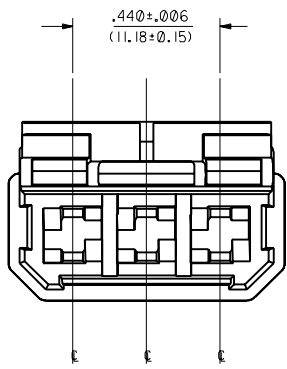
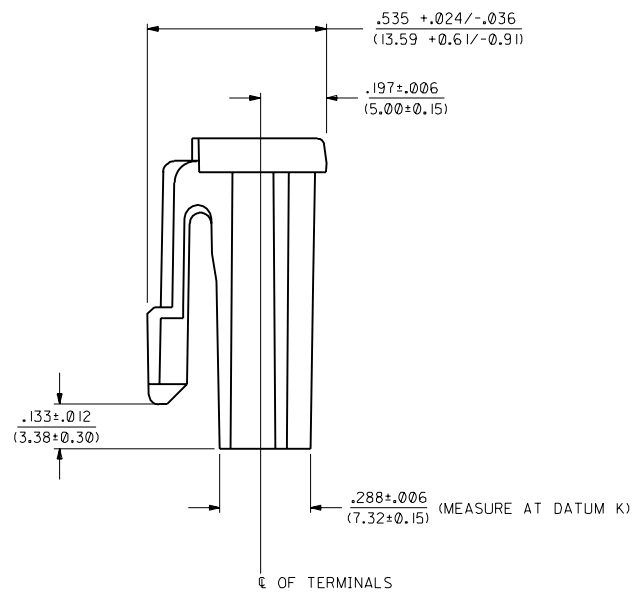
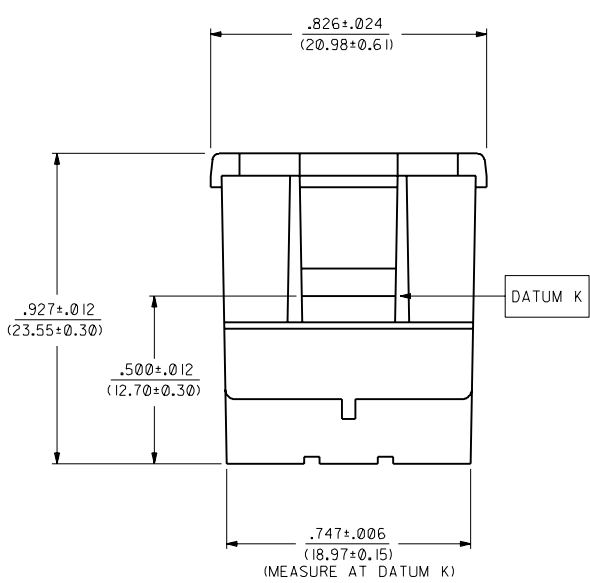
[43301Series](#)

Mates With

[Appliance Pressure Switch](#)

Use With

[43375 Female Terminals](#)



NOTES:

1. 6/6 NYLON, UL 94V-2. COLOR: NATURAL.
2. USE TERMINALS: 43375-0001, OR 43375-1001, SINGLE CRIMP #18, #16, OR #14 AWG UL1015 WIRE.
3. SEE SMES-43301-9003 FOR THE SPECIFICATION OF THE CONNECTION INTERFACE.
4. PRODUCT SPECIFICATION: PSX-43301-9000.

C	REVISED PER UCR2001-0359 00/11/03 SOMMER
B	REVISED PER UCR1999-0305 98/11/05 LENZ
A	REMOVE 'X' PER ECN# U70765 PELOZA 97/02/0
2	REVISED PER ECN# U70369 96/10/08 JIWAN
1	'X' RELEASE PER ECN# U50706 95/01/19 KBP

DIMENSIONS SHOWN METRIC (INCH UNLESS OTHERWISE SPECIFIED TOLERANCES: ANGULAR ± 1/2°)		▽ = 0	▼ = 0	REVISE ONLY ON CAD SYSTEM
TITLE 3-CIR RECEPTACLE HOUSING .125/(3.18) X .020/(0.51) DEEP TERMINAL CORES		PART NO. DATE 43301-1003 1 OF 1 95/01/19		
DRAWN BY: KBP APP'D: RAS		MOLEX INCORPORATED LITTLE ROCK, AR 60532 U.S.A.		
SCALE: 4:1		DRWG. NO.: SD-43301-1003		
FILE NAME: E:\43301\4		DIV: CO		
SIZE: CO		C		