

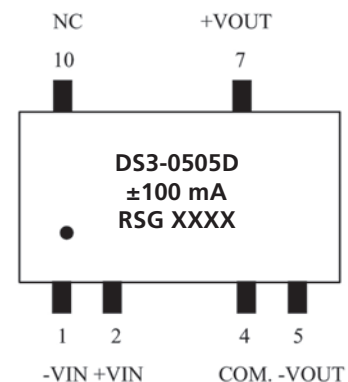
RSG Electronic Components GmbH
 Spremlinger Landstr. 115
 D-63069 Offenbach
 Tel. +49 69 984047-0
 Fax +49 69 984047-77
 info@rsg-electronic.de

DS3-XXXX-D(H3) series Dual output unregulated DC/DC converters 1W

www.rsg-electronic.de

ELECTRICAL SPECIFICATIONS

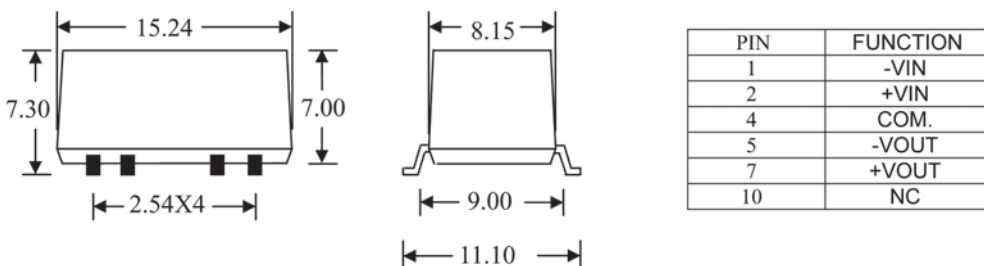
- Input voltage range $\pm 10\%$
- Input filter capacitor
- Output voltage accuracy $\pm 5\%$
- Line voltage regulation 1.2% typ. / 1% of V_{in}
- Load voltage regulation (10%~100%) -
 5V output types -> 15% max.
 9V, 12V and 15V output types -> 10% max.
- Ripple & Noise / 20 MHz BW ± 100 mV p-p max.
- Efficiency at full load 70% min.
- Isolation voltage 1000 VDC min.
- Short circuit protection 1.0 sec.
- Operating temperature range $-40^{\circ}\text{C} \sim 85^{\circ}\text{C}$
- Storage temperature range $-55^{\circ}\text{C} \sim 125^{\circ}\text{C}$
- Isolation resistance 10 GOhm min.
- Isolation capacity 70 pF typ.
- Package weight 2.2 g
- ReFlow temp. 230°C (10 sec.)



Meet CE EN-60950-1 certified, measured @ 25°C with the condition of V_{in} = nominal and full load

Note: Add/H3 after P/N for isolation 3kVDC

PACKAGE STYLE AND PINNING (mm)



Unit: mm
 Tol.: ± 0.25 mm

SELECTION GUIDE

Part Number	Input Voltage (VDC)	Output Voltage (VDC)	Output Current (mA)	Efficiency (%)
DS3-XX3.3D	3.3, 5, 9, 12, 15, 24	± 3.3	± 152	68
DS3-XX05D	3.3, 5, 9, 12, 15, 24	± 5	± 100	70
DS3-XX09D	3.3, 5, 9, 12, 15, 24	± 9	± 55	75
DS3-XX12D	3.3, 5, 9, 12, 15, 24	± 12	± 42	78
DS3-XX15D	3.3, 5, 9, 12, 15, 24	± 15	± 33	80
DS3-XX24D	3.3, 5, 9, 12, 15, 24	± 24	± 21	80