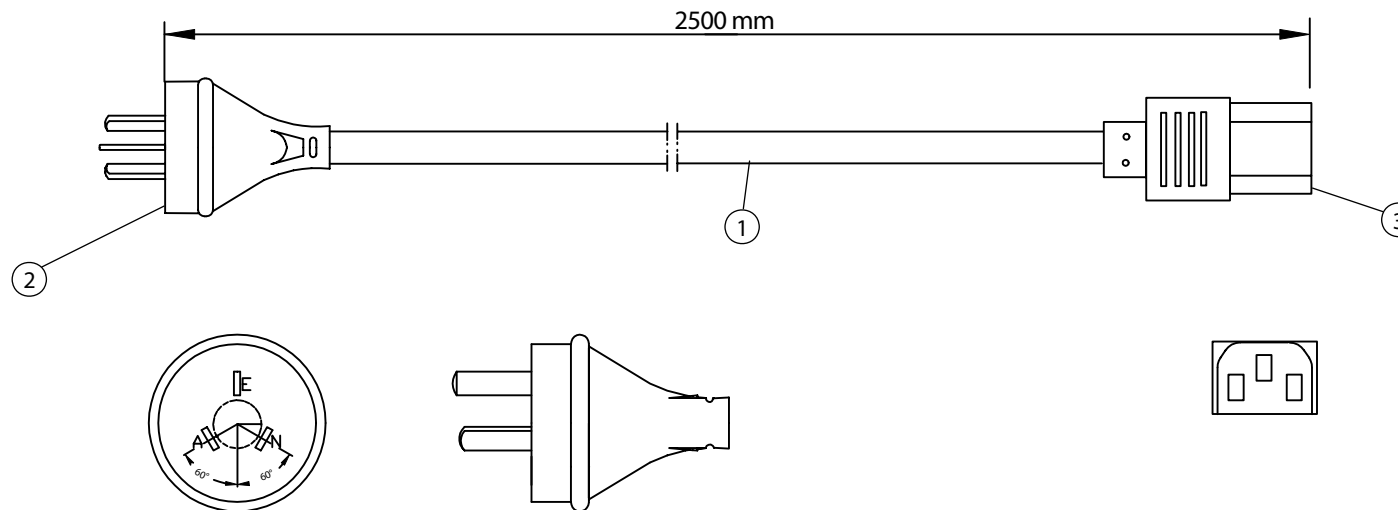


THESE DRAWINGS ARE THE PROPERTY OF QUALTEK ELECTRONICS AND NOT TO BE REPRODUCED FOR OR COMMUNICATED TO A THIRD PARTY WITHOUT THE EXPRESS WRITTEN PERMISSION OF AN OFFICER OF QUALTEK ELECTRONICS.

REVISION			
REV.	DESCRIPTION	DATE	APPROVED
B	RoHS Compliancy	06-01-06	D.P.
C	Cordage and Notes Revision	09-04-07	D.P.
D	Cordage Update	10-20-08	LY



NOTES:

1. CORDAGE: SAA, 3 x 1.0mm, UNSHIELDED, CEE COLOR CODE, TEMP. RATING 70°C, RATING: 250V 10A, JACKET COLOR: BLACK
2. PLUG: AS 3112/AUSTRALIAN
3. CONNECTOR: IEC 60320 C-13
4. APPROVALS: AUSTRALIA, NEW ZEALAND
5. ROHS COMPLIANT

CONTROLLED

Dim range (mm)		Tolerance +/- (mm)		Qualtek Electronics Corp. PPC DIVISION		
0-1		0.15		Part Number: 374003-A01 RoHS Compliant		
1-6		0.20		Description: POWER CORD		
6-18		0.30		UNIT: mm REV. D		
18-50		0.50		Drawn / Date Checked / Date Approved / Date		
50-120		0.70		B.ZHANG 10-15-01 JJH / 10-15-01		
120-250		0.90				
250-500		1.20				