

PLEASE CHECK WWW.MOLEX.COM FOR LATEST PART INFORMATION

Part Number: [0003097032](#)
Status: **Active**
Overview: [standard_093](#)
Description: 2.36mm (.093") Diameter Standard .093 Pin and Socket Plug Housing, 3 Circuits, Single Row, Black

Documents:

| | |
|---|---|
| 3D Model | Product Specification PS-02-09 (PDF) |
| Drawing (PDF) | Product Specification PS-43660-9999 (PDF) |
| Packaging Specification (PDF) | RoHS Certificate of Compliance (PDF) |

Agency Certification

| | |
|-----|---------|
| CSA | LR19980 |
| UL | E29179 |

General

| | |
|----------------|---|
| Product Family | Crimp Housings |
| Series | 1396 |
| Comments | 17.0A max. can be achieved when housing is used with 42477 or 42478 terminals |
| Overview | standard_093 |
| Product Name | Standard .093" |

Physical

| | |
|-------------------------------|-----------------|
| Circuits (maximum) | 3 |
| Color - Resin | Natural |
| Flammability | 94V-2 |
| Gender | Dual |
| Glow-Wire Compliant | No |
| Lock to Mating Part | Yes |
| Material - Resin | Nylon |
| Number of Rows | 1 |
| Packaging Type | Bag |
| Panel Mount | No |
| Pitch - Mating Interface (in) | 0.198 In |
| Pitch - Mating Interface (mm) | 5.03 mm |
| Polarized to Mating Part | Yes |
| Stackable | No |
| Temperature Range - Operating | -40°C to +105°C |

Electrical

| | |
|-------------------------------|-----|
| Current - Maximum per Contact | 14A |
|-------------------------------|-----|

Material Info

| | |
|-----------------|------------|
| Old Part Number | 1396-P1-BK |
|-----------------|------------|

Reference - Drawing Numbers

| | |
|-------------------------|-------------------------|
| Packaging Specification | PK-1396-001 |
| Product Specification | PS-02-09, PS-43660-9999 |
| Sales Drawing | SD-1396-* |

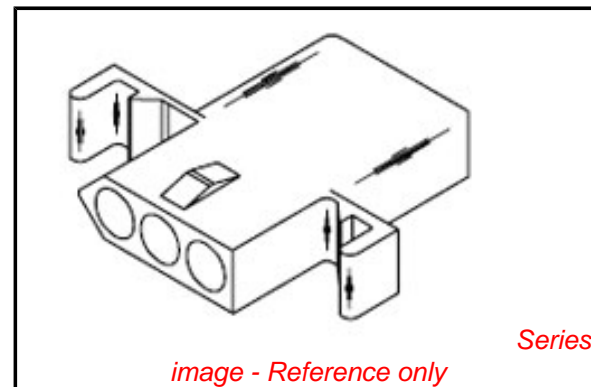


image - Reference only

EU RoHS

ELV and RoHS Compliant

REACH SVHC

Not Reviewed

Halogen-Free

Status

Not Reviewed

Need more information on product environmental compliance?

Email productcompliance@molex.com
 For a multiple part number RoHS Certificate of Compliance, [click here](#)

Please visit the [Contact Us](#) section for any non-product compliance questions.

China RoHS



Search Parts in this Series

[1396Series](#)

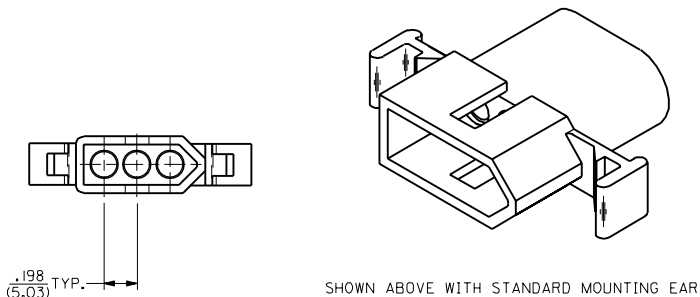
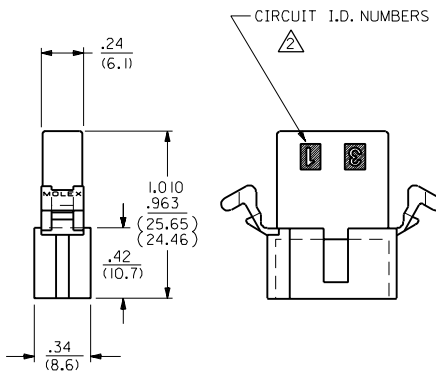
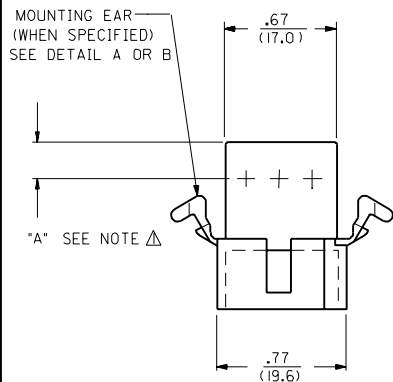
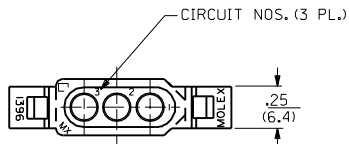
Mates With

[03-09-6032](#)

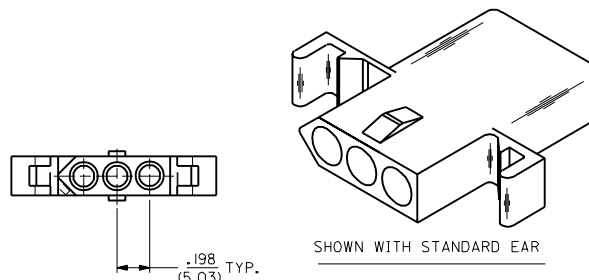
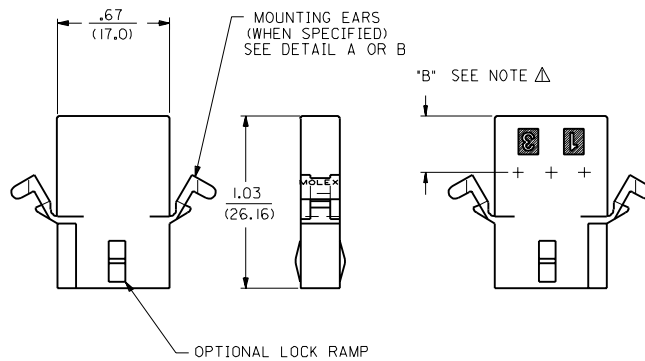
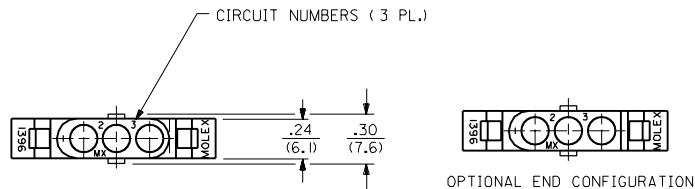
Use With

[1189](#) Crimp Terminals, [1190](#) Crimp Terminals, [1376](#) Male PC Tail Terminals, [1377](#) Female PC Tail Terminals, [1380](#) Male Crimp Terminals, [1381](#) Female Crimp Terminals, [1433](#) Crimp Terminals, [1434](#) Male Crimp Terminals, [1973](#) , [2151](#) , [2273](#) , [2870](#) , [2871](#) , [4272](#) , [4550](#) , [6271](#) , [6310](#) , [42477](#) , [42478](#)

PLUG



RECEPTACLE



NOTES:
 Δ DIMENSION FROM THE BACK OF HOUSING TO THE END OF THE BRUSH ON THE WIRE INSERTED INTO THE HOUSING
 DIM "A" = .256/6.50 FOR 42477 & 42478 TERMINALS
 .216/5.49 FOR ALL OTHER .093 TERMINALS
 DIM "B" = .377/9.58 FOR 42477 & 42478 TERMINALS
 .337/8.56 FOR ALL OTHER .093 TERMINALS

| | |
|----------|---|
| Y3 | REVISED PER UCR2000-0583 3/1/00 DDB |
| Y2 | REMOVE -R3, -R5 VER. PER ECON #UG 1479 6-10-96 RW |
| Y1 | X-REMOVE 1396-R4 ECR U3 1583 GC 10/26/93 RW |
| Y | ADD CKT. I.D. #'S PER ECR U3 0683 GC 5/4/93 RW |
| X | REV MAT'L SPECS. ECR U2-1491 10-08-92 A.GUZIK |
| W1 | ADD -D VERSIONS. ECR U1 1106 GC 7/25/91 RW |
| W | REVISE ON CAD ECR #UB 1381 JJS 4-24-88 RW |
| 2 | Y2 |
| 1 | Y3 |
| MFG. SH. | REV. LTR. |

| | | | | |
|--|---------------|--|------------|---------------------------|
| DIMENSIONS SHOWN METRIC (INCH) | | ▽ = 0 | ▼ = 0 | REVISE ONLY ON CAD SYSTEM |
| UNLESS OTHERWISE SPECIFIED TOLERANCES ANGULAR ± 1/2° | | TITLE | | |
| | | .093/(2.36) HOUSING, PLUG & RECEPTACLE | | |
| | | 3 CIRCUIT .198/(5.03) C | | |
| | | MOLEX INCORPORATED | | |
| | | L15LEJLL 60532 U.S.A. 1 of 2 4/3/88 | | |
| | | PART NO. DRWG. NO. | | |
| | | SEE SHEET 2 | | |
| | | SD-1396-• | | |
| DRWG. BY: RAS | CHKD. BY: JWS | FILE NAME: S1396.3X1 | DRWG. NO.: | DATE: 4/3/88 |
| APP'D. BY: | SCALE: 2:1 | DRWG. NO.: | REV.: | SIZE: CP |

1396

13 12 11 10 9 8 7 6 5 4 3 2 1

| PLUG | | RECEPTACLE | |
|-------------|-----------|-------------|-----------|
| ORDER NO. | ENG. NO. | ORDER NO. | ENG. NO. |
| 03-09-2031 | I396-P | 03-09-1031 | I396-R |
| 03-09-2032 | I396-P1 | 03-09-1032 | I396-R1 |
| 03-09-7032 | I396-P1BK | 03-09-1033 | I396-R2 |
| 03-09-7031 | I396-PBK | 03-09-6033 | I396-R2BK |
| PRELIMINARY | I396-P-B | 03-09-6032 | I396-R1BK |
| | | 03-09-6031 | I396-RBK |
| | | PRELIMINARY | I396-R-B |
| | | PRELIMINARY | I396-R1-B |
| | | 03-09-1081 | I396-R4 |
| | | | |
| | | | |
| | | | |
| | | | |
| | | | |
| | | | |
| | | | |

LEGEND:

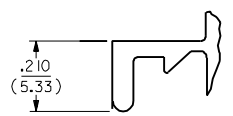
I396-*****

P = PLUG
R = RECEPTACLE

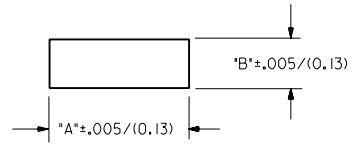
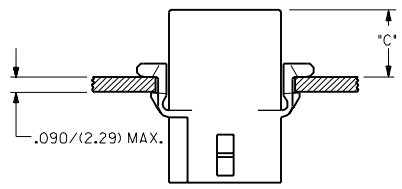
BLANK = WITH STANDARD EARS
 1 = WITHOUT EARS
 2 = RECEPTACLE WITHOUT EARS, WITHOUT LOCK RAMP
 3 = PLUG ONLY, W/ SIDE MOUNT (SEE SD-I396-P3)
 4 = WITH PREBENT EARS

COLOR: BLANK=NATURAL COLOR
 AM=AMBER BK=BLACK BU=BLUE
 BN=BROWN CY=GRAY GN=GREEN
 OR=ORANGE RD=RED YW=YELLOW

BLANK = NYLON 6/6, 94V-2
 B = NYLON TYPE 6/6, 94V-2, UV STABILIZED



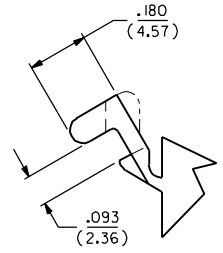
DETAIL A
STANDARD MOUNTING EAR
(SCALE 4:1)



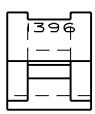
RECOMMENDED PANEL MOUNTING HOLE

| HOUSING | DIM. "A" | DIM. "B" | "C" PREBENT EAR | "C" STANDARD EAR |
|---------|--------------|-------------|-----------------|------------------|
| PLUG | .933/(23.70) | .375/(9.53) | .40/(10.2) | .38/(9.7) |
| RECEPT. | .830/(21.08) | .312/(7.92) | .41/(10.4) | .39/(9.9) |

NOTES:
 1. MOLEX PRODUCT SPEC 02-09 APPLIES.
 2. CIRCUIT I.D. NUMBERS ON SIDE OF HOUSING APPEAR ON PARTS FROM TOOLS BUILT AFTER 5/4/93.



DETAIL B
PREBENT MOUNTING EAR
(SCALE 4:1)



I396

DETAIL B

PREBENT MOUNTING EAR
(SCALE 4:1)

| | | | | | |
|---|---------------|---------------------|----------|--|--|
| DIMENSIONS SHOWN (METRIC) INCH | | ▽=0 ▽=0 | | REVISE ONLY ON CAD SYSTEM | |
| UNLESS OTHERWISE SPECIFIED TOLERANCES ANGLES ARE 1/2° | | | | | |
| INCH | | METRIC | | | |
| 3 PLACE | ± .010 | --- | | | |
| 2 PLACE | ± .014 | ± 0.25 | | | |
| 1 PLACE | --- | ± 0.35 | | | |
| DRAFT WHERE APPLICABLE MUST REMAIN WITHIN DIMENSIONS | | | | | |
| DRWG. BY: JJS | CHK'D. BY: RW | FILE NAME: S13962X2 | SCALE: : | THIS DRAWING CONTAINS INFORMATION THAT IS PROPRIETARY TO MOLEX INC. AND SHOULD NOT BE USED WITHOUT WRITTEN PERMISSION. | |
| APP'D. BY: RAS | SCALE: : | PART NO. SD-1396-* | | DATE: 4/8/88 | |
| LTR. REVISIONS | | LTR. REVISIONS | | DIV. SIZE CP C | |

13 12 11 10 9 8 7 6 5 4 3 2 1